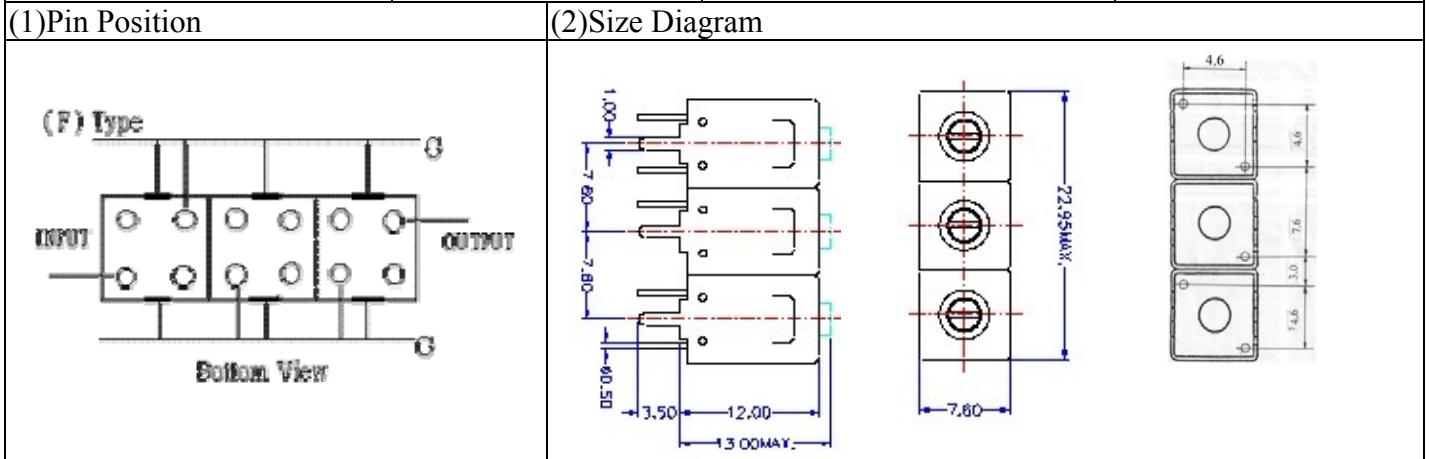


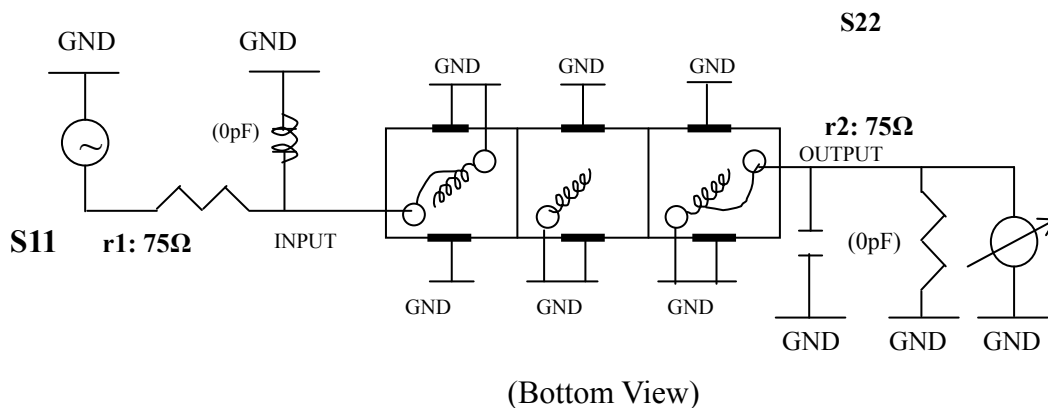
VHF UHF Helical Filter Specification Sheet

Customer Name		Temwell's Part No.	TTL6336F-579.25M
Approval No. /dated	0611061APR	Acceptable Specify Fo Range	556~595 MHz
Work Instruction No.	0611061DC	Date	Nov.21.2006



(3) Electric Characteristic			
Item		Specify	Performance
Center Freq.(Fo) +/- 0.5 %		579.25 MHz	579.25 MHz
Tunable Range		579.25±5 MHz	579.25±5 MHz
Insertion Loss		Typ. 5.5 dB	4.53 dB
-3 dB Bandwidth		Typ. 6 MHz	9.7 MHz
Sensitivity (Attenuation)	Fo - 15 MHz	Typ. 22 dB	25 dB
	Fo + 15 MHz	Typ. 18 dB	21 dB
	Fo - ()MHz	Typ. dB	dB
	Fo + ()MHz	Typ. dB	dB
Return Loss		Min. 12 dB	24.5 dB
Ripple		< 1 dB	dB
Impedance		In / Out : 75 Ω	In / Out : 75 Ω
(4) Torque for Tuning Screw		> 100gf · cm	
(5) Temperature Condition:			
Operating Temperature		-0°C ~ +60°C	
Storage Temperature		-20°C ~ +70°C	
(6) Input Power		> 1Watt	

(7) Measuring Circuit: ※Easy to match Impedance S11/S22 75Ω by parallel with about(0pF)/(0pF).



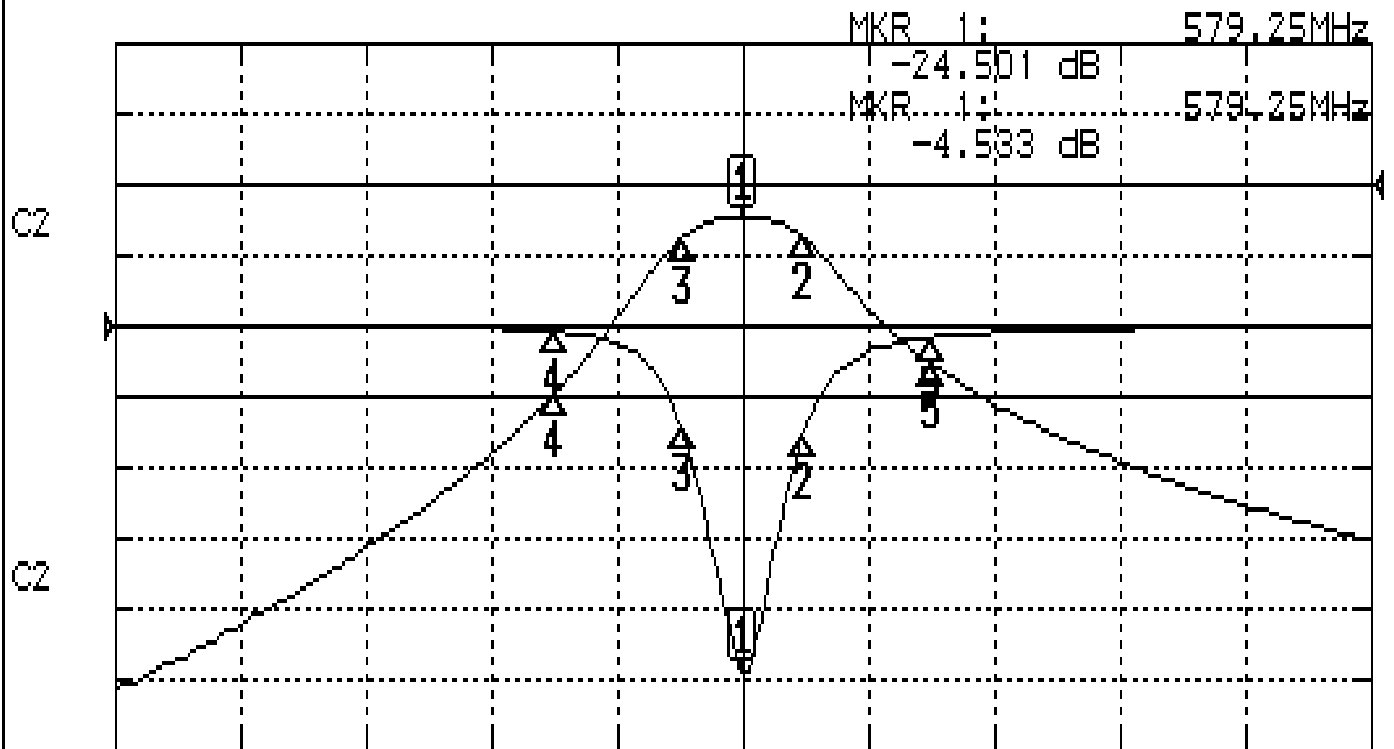
Approval	Supervisor	Designer	Aperture size
C.Y.Chang	C.S.Chang	C.S.Chang	7H3(4*4.65)F 7H046LB4 聚 3

TEMWELL CORPORATION

Performance-TTL6336F-579.25M

0611061DC

CH1 S11 LOG MAG REF 0.000 dB 5.000 dB/
CH2 S21 LOG MAG REF 0.000 dB 10.000 dB/



CENTER 579.25MHz

[10.00 dBm]

SPAN 100MHz

CH1 MARKER LIST

1:	579.250MHz	-24.501	dB
2:	584.166MHz	-7.464	dB
3:	574.416MHz	-7.198	dB
4:	564.250MHz	-0.361	dB
5:	594.250MHz	-0.764	dB

CH2 MARKER LIST

1:	579.250MHz	-4.533	dB
2:	584.166MHz	-7.529	dB
3:	574.416MHz	-7.474	dB
4:	564.250MHz	-29.527	dB
5:	594.250MHz	-25.419	dB