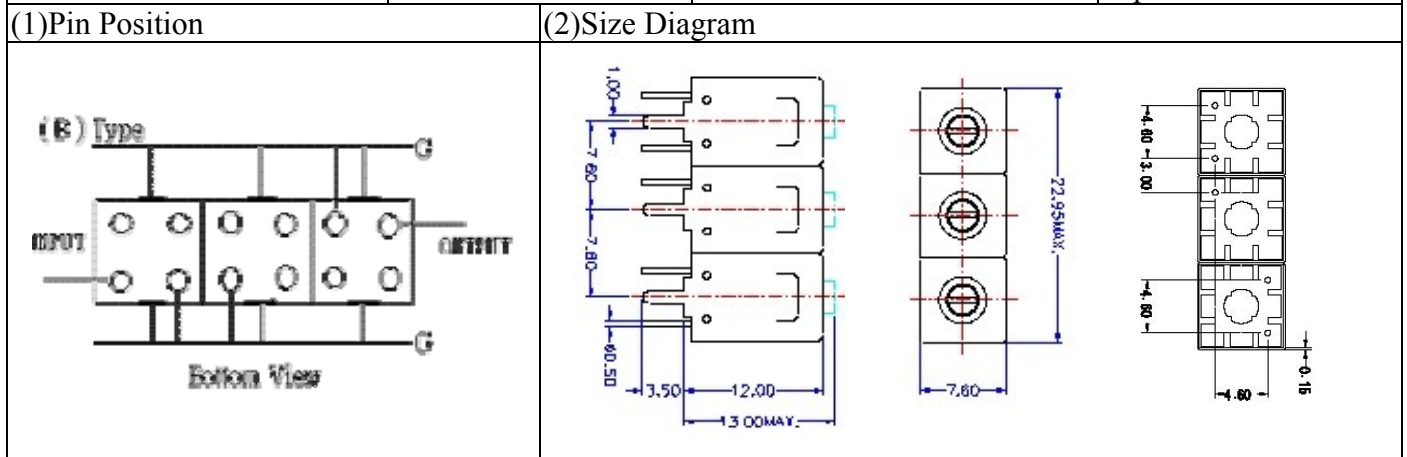


# VHF UHF Helical Filter Specification Sheet

Customer Name		Temwell's Part No.	TTL63348B-375M
Approval No. /dated	200909042APR	Customer's Print Name.	63348B 375M
Work Instruction No.	200909042BD	Date	Sep.15.2009



(3) Electric Characteristic

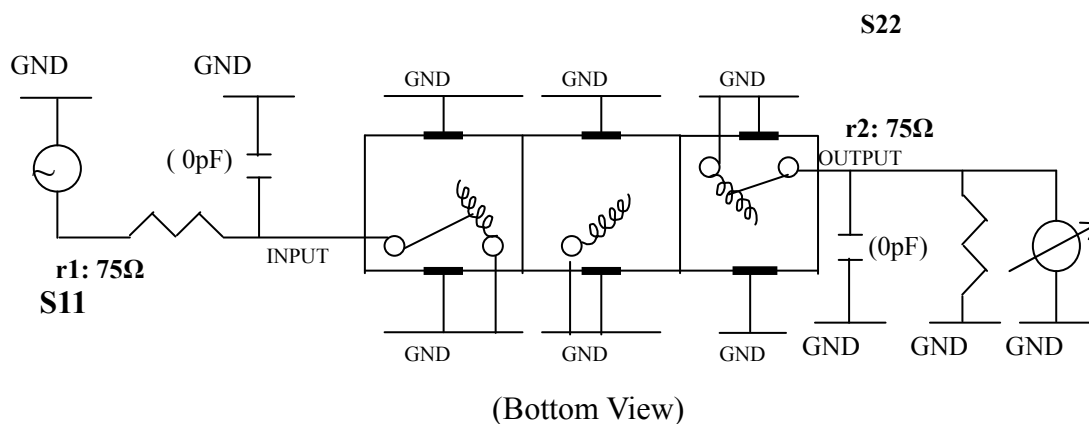
Item	Specify	Performance
Center Freq.(Fo) +/- 0.5 %	375 MHz	375 MHz
Insertion Loss	Typ. 1.5 dB	0.58 dB
-3 dB Bandwidth	Typ. 100 MHz	106.7 MHz
Sensitivity (Attenuation)	Fo - 150 MHz	Typ. 47 dBc
	Fo + 150 MHz	Typ. 17 dBc
	Fo - ( )MHz	Typ. dBc
	Fo +( )MHz	Typ. dBc
Return Loss	Min. 12 dB	26.4 dB
Ripple	< 1 dB	dB
Impedance	In / Out : 75 Ω	In / Out : 75 Ω
(4) Torque for Tuning Screw	> 100gf · cm	

(5) Temperature Condition:

Operating Temperature	0°C ~ +60°C
Storage Temperature	-20°C ~ +70°C

(6) Input Power > 1 Watt

(7) Measuring Circuit: ※Easy to match Impedance S11/S22 75Ω by parallel with about(0pF) / (0pF).



Approval	Supervisor	Designer	Aperture size
C.Y.Chang	C.K.Chang	C.S.Chang	7H3(4*8.0)(8.06) 7H046RB6.5

TEMWELL CORPORATION

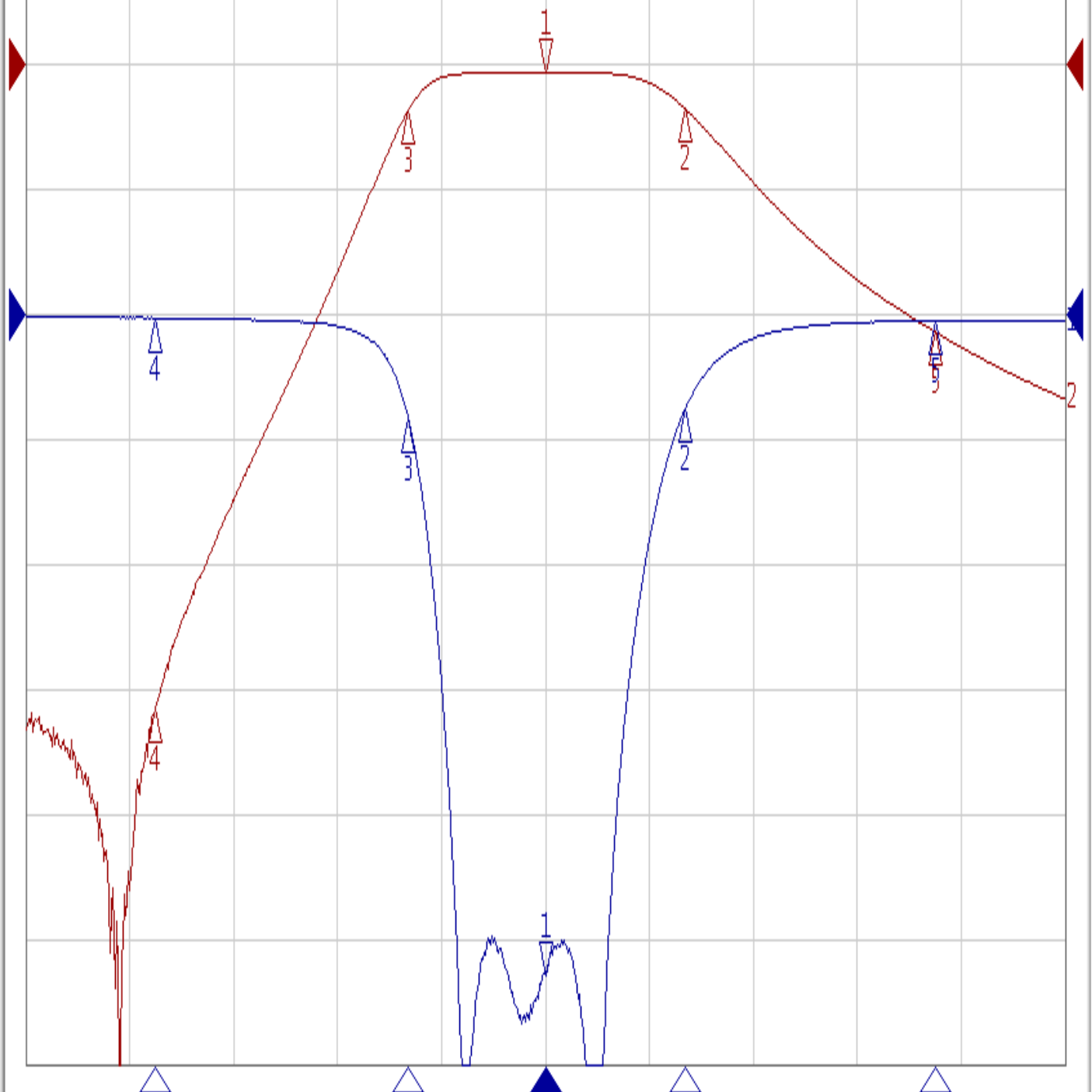
# Performance-TTL63348B-375M

## 200909042BD

▶ Tr1 S11 Log Mag 5.000dB/ Ref 0.000dB [F2]  
Tr2 S21 Log Mag 10.00dB/ Ref 0.000dB [F2]

1	375.00000	MHz	-0.5894	dB
2	428.99800	MHz	-3.5233	dB
3	322.20100	MHz	-3.5728	dB
4	225.00000	MHz	-51.533	dB
5	525.00000	MHz	-21.395	dB

>1	375.00000	MHz	-26.444	dB
2	428.99800	MHz	-3.7590	dB
3	322.20100	MHz	-4.1807	dB
4	225.00000	MHz	-0.1187	dB
5	525.00000	MHz	-0.2469	dB



1 Center 375 MHz

IFBW 10 kHz

Span 400 MHz Cor !