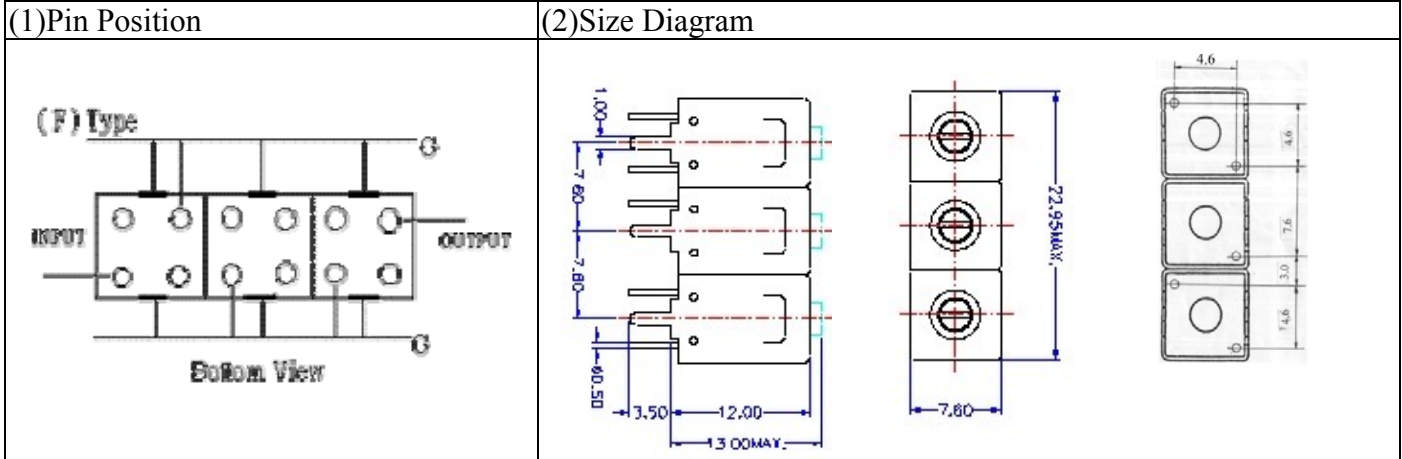


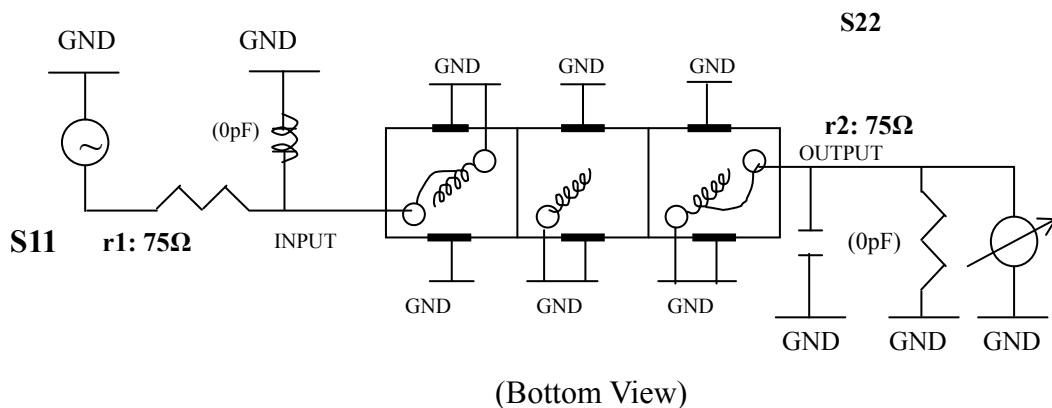
VHF UHF Helical Filter Specification Sheet

Customer Name		Temwell's Part No.	TTL6332F-555.25M
Approval No. /dated	0611057APR	Acceptable Specify Fo Range	556~595 MHz
Work Instruction No.	0611057DC	Date	Nov.22.2006



Item		Specify	Performance
Center Freq.(Fo) +/- 0.5 %		555.25 MHz	555.25 MHz
Tunable Range		555.25±5 MHz	555.25±5 MHz
Insertion Loss		Typ. 6.0 dB	4.96 dB
-3 dB Bandwidth		Typ. 6 MHz	9.3 MHz
Sensitivity (Attenuation)	Fo - 15 MHz	Typ. 24 dB	27 dB
	Fo + 15 MHz	Typ. 19 dB	22 dB
	Fo - ()MHz	Typ. dB	dB
	Fo +()MHz	Typ. dB	dB
Return Loss		Min. 12 dB	22.1 dB
Ripple		< 1 dB	dB
Impedance		In / Out : 75 Ω	In / Out : 75 Ω
(4) Torque for Tuning Screw		> 100gf · cm	
(5) Temperature Condition:			
Operating Temperature		-0°C ~ +60°C	
Storage Temperature		-20°C ~ +70°C	
(6) Input Power		> 1Watt	

(7) Measuring Circuit: ※Easy to match Impedance S11/S22 75Ω by parallel with about(0pF)/(0pF).



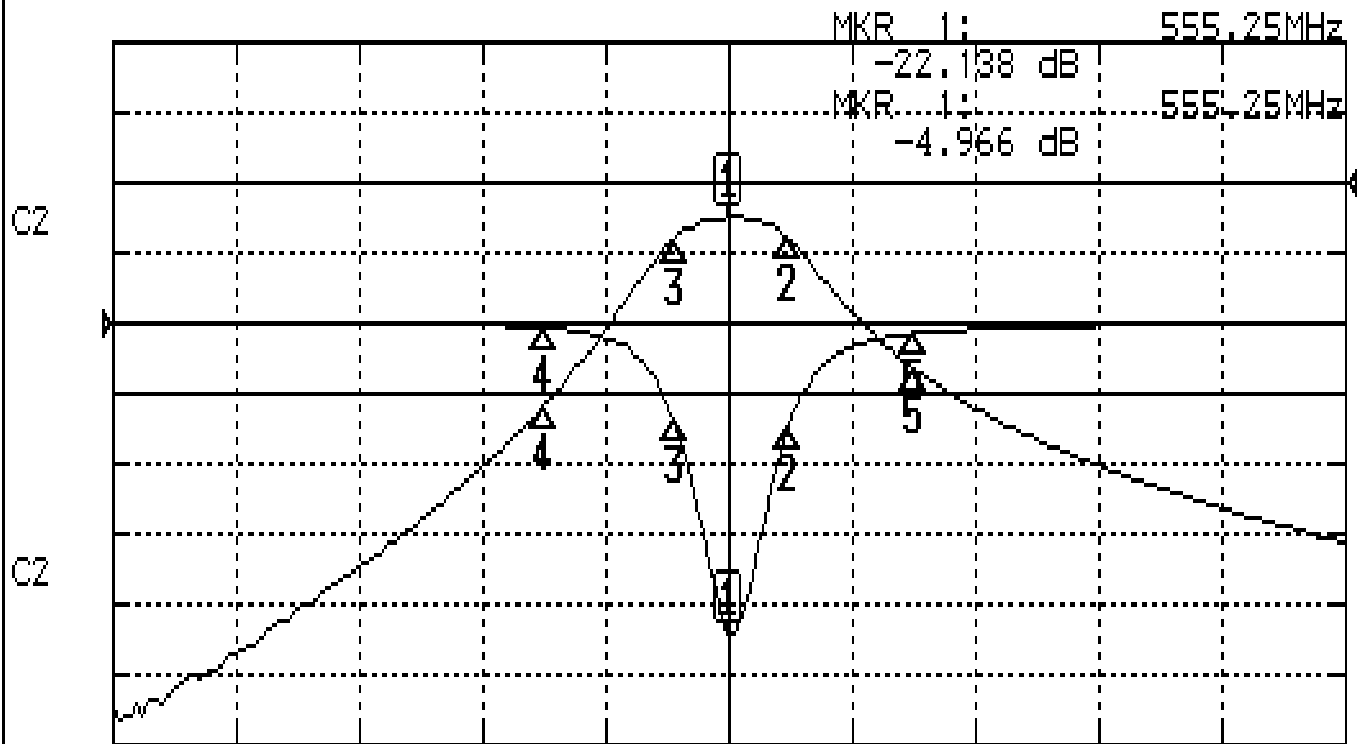
Approval	Supervisor	Designer	Aperture size
C.Y.Chang	C.S.Chang	C.S.Chang	7H3(4*4.65)F 7H046LB4 聚 3

TEMWELL CORPORATION

Performance-TTL6332F-555.25M

0611057DC

CH1 S11 LOG MAG REF 0.000 dB 5.000 dB/
CH2 S21 LOG MAG REF 0.000 dB 10.000 dB/



CENTER 555.25MHz

[10.00 dBm]

SPAN 100MHz

CH1 MARKER LIST

1:	555.250MHz	-22.138	dB
2:	560.166MHz	-7.334	dB
3:	550.833MHz	-6.930	dB
4:	540.250MHz	-0.308	dB
5:	570.250MHz	-0.725	dB

CH2 MARKER LIST

1:	555.250MHz	-4.966	dB
2:	560.166MHz	-8.019	dB
3:	550.833MHz	-7.962	dB
4:	540.250MHz	-31.736	dB
5:	570.250MHz	-26.422	dB