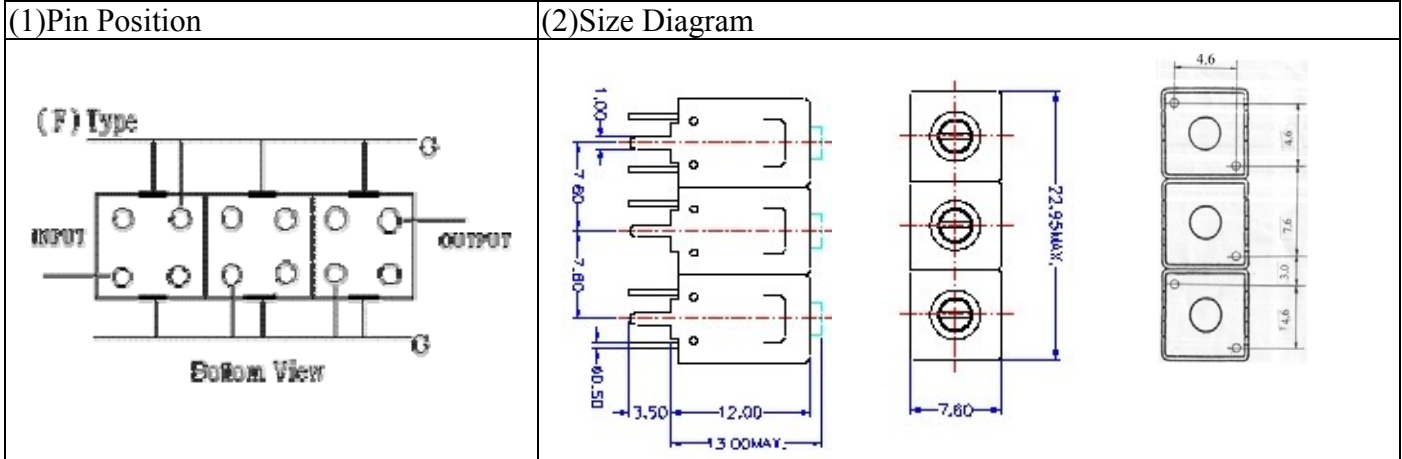


# VHF UHF Helical Filter Specification Sheet

Customer Name		Temwell's Part No.	TTL6331F-549.25M
Approval No. /dated	0611056APR	Acceptable Specify Fo Range	516~555 MHz
Work Instruction No.	0611056DC	Date	Nov.22.2006



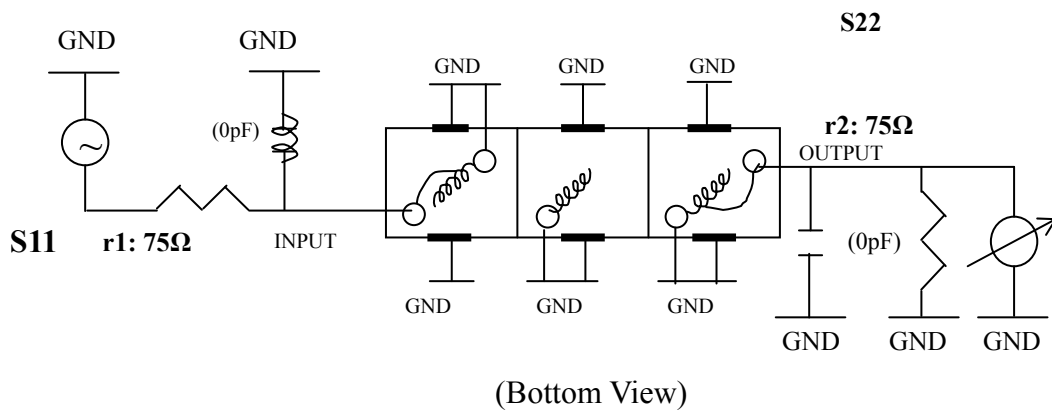
(3) Electric Characteristic			
Item	Specify	Performance	
Center Freq.(Fo) +/- 0.5 %	549.25 MHz	549.25 MHz	
Tunable Range	549.25±5 MHz	549.25±5 MHz	
Insertion Loss	Typ. 6.0 dB	4.98 dB	
-3 dB Bandwidth	Typ. 6 MHz	9.0 MHz	
Sensitivity (Attenuation)	Fo - 15 MHz	Typ. 28 dB	31 dB
	Fo + 15 MHz	Typ. 24 dB	27 dB
	Fo - ( )MHz	Typ. dB	dB
	Fo +( )MHz	Typ. dB	dB
Return Loss	Min. 12 dB	21.8 dB	
Ripple	< 1 dB	dB	
Impedance	In / Out : 75 Ω	In / Out : 75 Ω	

(4) Torque for Tuning Screw > 60gf • cm

(5) Temperature Condition:	
Operating Temperature	-0°C ~ +60°C
Storage Temperature	-20°C ~ +70°C

(6) Input Power > 1Watt

(7) Measuring Circuit: ※Easy to match Impedance S11/S22 75Ω by parallel with about(0pF)/(0pF).



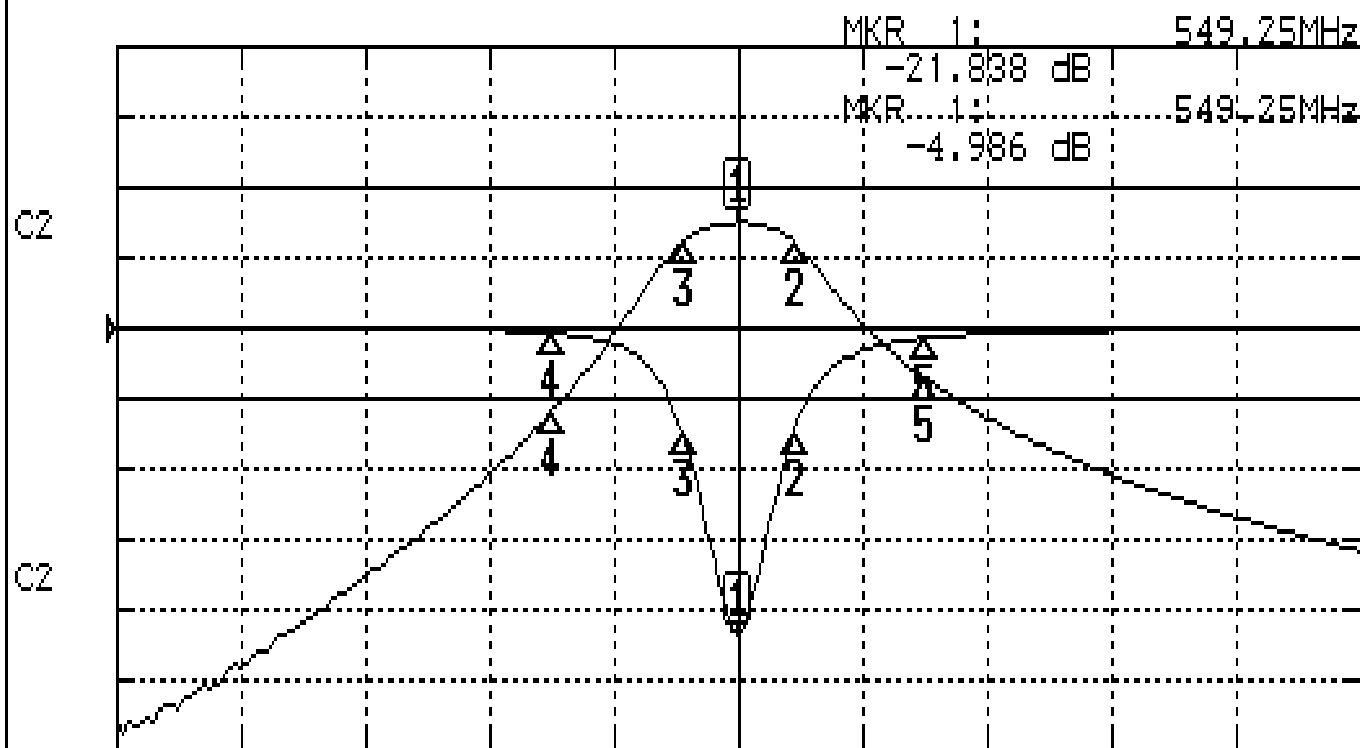
Approval	Supervisor	Designer	Aperture size
C.Y.Chang	C.S.Chang	C.S.Chang	7H3(4*4.65)F 7H046LB4 聚 3

TEMWELL CORPORATION

# Performance-TTL6331F-549.25M

## 0611056DC

CH1 S11 LOG MAG REF 0.000 dB 5.000 dB/  
CH2 S21 LOG MAG REF 0.000 dB 10.000 dB/



MKR 1: 549.25MHz  
-21.838 dB  
MKR 1: 549.25MHz  
-4.986 dB

CENTER 549.25MHz

[ 10.00 dBm ]

SPAN 100MHz

### CH1 MARKER LIST

1:	549.250MHz	-21.838	dB
2:	553.750MHz	-7.418	dB
3:	544.750MHz	-7.291	dB
4:	534.250MHz	-0.335	dB
5:	564.250MHz	-0.679	dB
6:			
7:			
8:			
9:			
10:			

### CH2 MARKER LIST

1:	549.250MHz	-4.986	dB
2:	553.750MHz	-7.903	dB
3:	544.750MHz	-7.861	dB
4:	534.250MHz	-31.887	dB
5:	564.250MHz	-27.067	dB
6:			
7:			
8:			
9:			
10:			