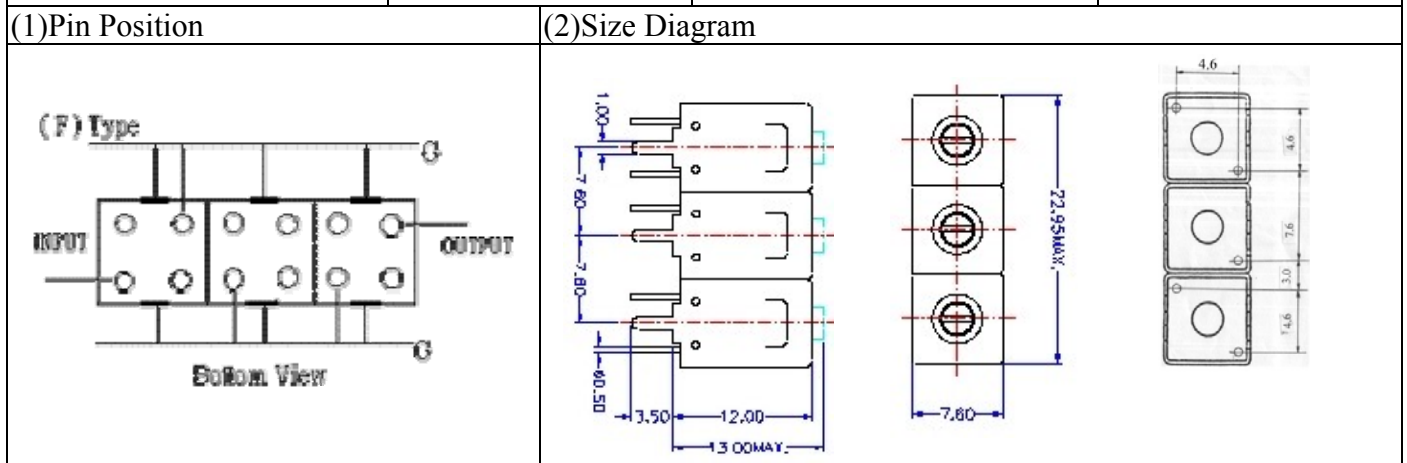


VHF UHF Helical Filter Specification Sheet

Customer Name		Temwell's Part No.	TTL6330F-543.25M
Approval No. /dated	0611055APR	Acceptable Specify Fo Range	516~555 MHz
Work Instruction No.	0611055DC	Date	Nov.22.2006



(3) Electric Characteristic

Item	Specify	Performance
Center Freq.(Fo) +/- 0.5 %	543.25 MHz	543.25 MHz
Tunable Range	543.25±5 MHz	543.25±5 MHz
Insertion Loss	Typ. 6.0 dB	4.74 dB
-3 dB Bandwidth	Typ. 6 MHz	9.6 MHz
Sensitivity (Attenuation)	Fo - 15 MHz	Typ. 28 dB
	Fo + 15 MHz	Typ. 23 dB
	Fo - ()MHz	Typ. dB
	Fo +()MHz	Typ. dB
Return Loss	Min. 12 dB	20.5 dB
Ripple	< 1 dB	dB
Impedance	In / Out : 75 Ω	In / Out : 75 Ω

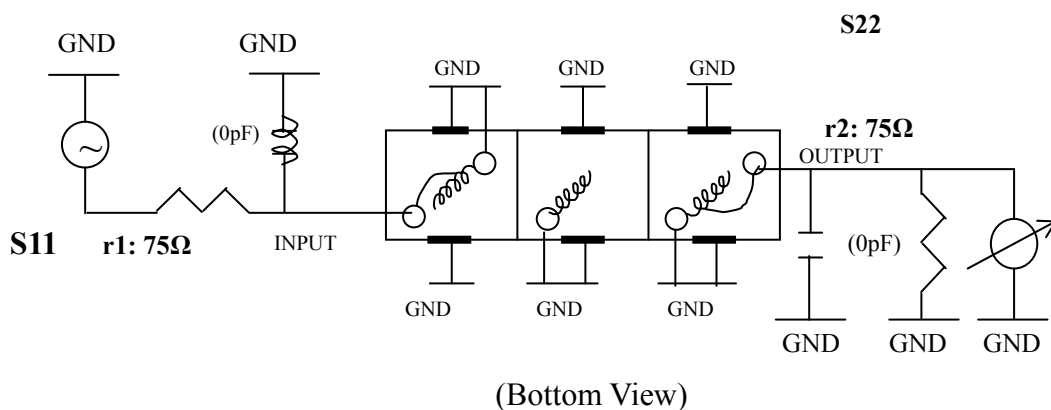
(4) Torque for Tuning Screw > 60gf · cm

(5) Temperature Condition:

Operating Temperature	-0°C ~ +60°C
Storage Temperature	-20°C ~ +70°C

(6) Input Power > 1Watt

(7) Measuring Circuit: ※Easy to match Impedance S11/S22 75Ω by parallel with about(0pF)/(0pF).



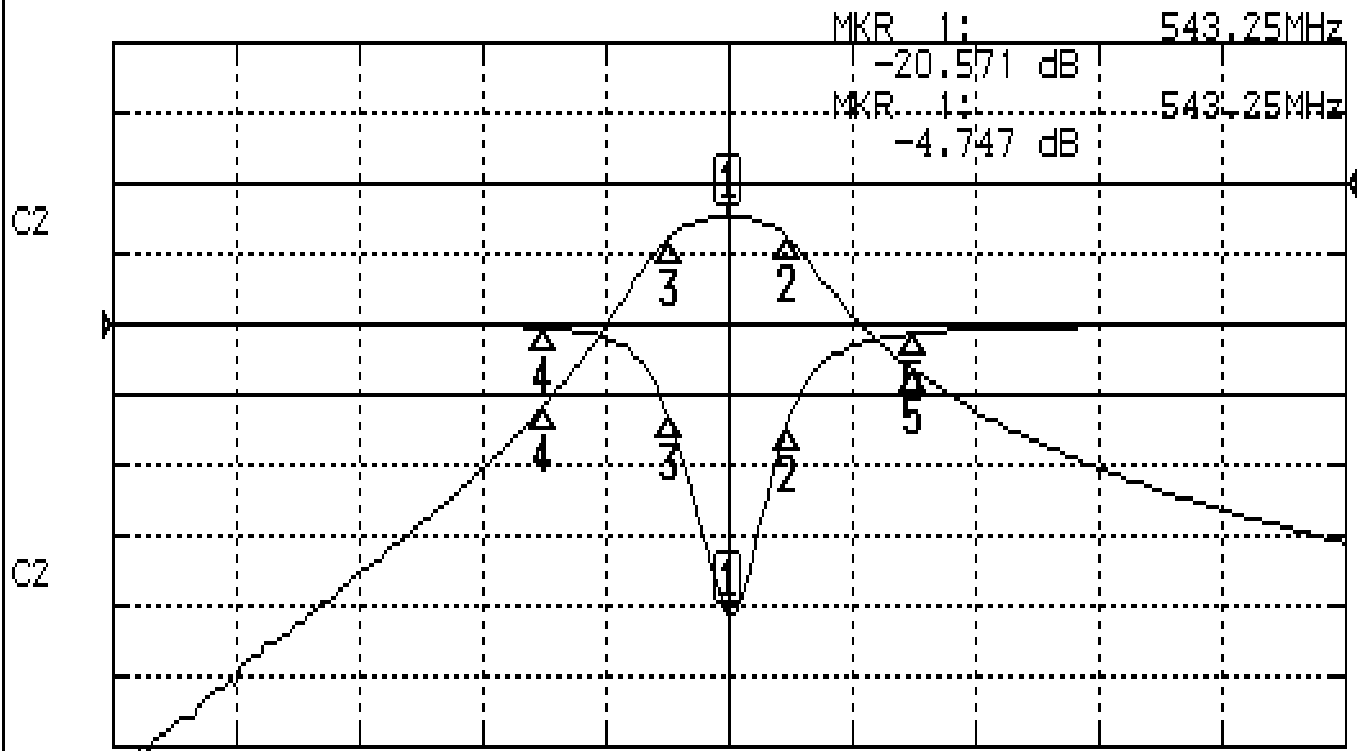
Approval	Supervisor	Designer	Aperture size
C.Y.Chang	C.S.Chang	C.S.Chang	7H3(4*4.65)F 7H046LB4 聚 3

TEMWELL CORPORATION

Performance-TTL6330F-543.25M

0611055DC

CH1 S11 LOG MAG REF 0.000 dB 5.000 dB/
CH2 S21 LOG MAG REF 0.000 dB 10.000 dB/



CENTER 543.25MHz

[10.00 dBm]

SPAN 100MHz

CH1 MARKER LIST

Marker	Frequency (MHz)	Magnitude (dB)
1	543.250	-20.548
2	548.000	-7.189
3	538.416	-6.505
4	528.250	-0.239
5	558.250	-0.643

CH2 MARKER LIST

Marker	Frequency (MHz)	Magnitude (dB)
1	543.250	-4.747
2	548.000	-7.754
3	538.416	-7.767
4	528.250	-31.531
5	558.250	-26.611