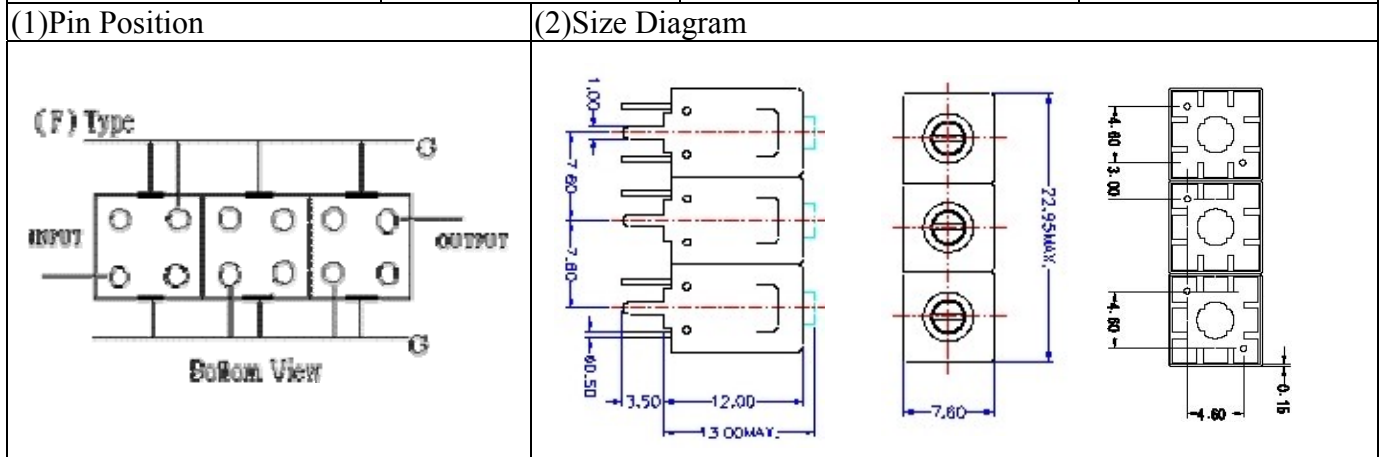


# VHF UHF Helical Filter Specification Sheet

Customer Name		Temwell's Part No.	TTL6327F-581M
Approval No. /dated	0711102APR	Temwell's print name	6327F 581M
Work Instruction No.	0711102C	Date	Dec.21.2007



### (3) Electric Characteristic

Item	Specify	Performance
Center Freq.(Fo) +/- 0.75 %	581 MHz	581 MHz
Tunable Range:	581±5 MHz	581±5 MHz
Insertion Loss	Typ. 6.0 dB	4.33 dB
-3 dB Bandwidth	Typ. 6 MHz	9.1 MHz
Sensitivity (Attenuation)	Fo - 15 MHz	Typ. 26 dBc
	Fo + 15 MHz	Typ. 22 dBc
	Fo - ( )MHz	Typ. dBc
	Fo + ( )MHz	Typ. dBc
Return Loss	Min. 12 dB	16.4 dB
Ripple	< 1 dB	
Impedance	In / Out : 75 Ω	In / Out : 75 Ω

### (4) Torque for Tuning Screw

> 60gf · cm

### (5) Temperature Condition:

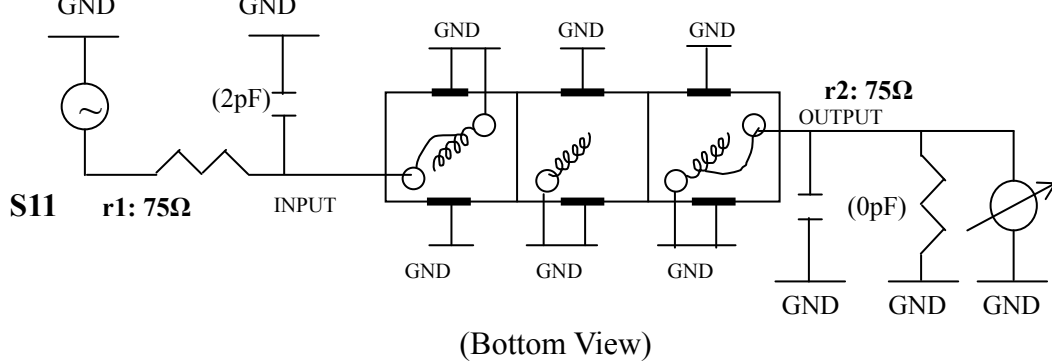
Operating Temperature: -30°C ~ +70°C

Storage Temperature: -30°C ~ +80°C

### (6) Input Power

> 1Watt

### (7) Measuring Circuit: ※Easy to match Impedance S11/S22 75Ω by parallel with about( 2pF) / (0pF).

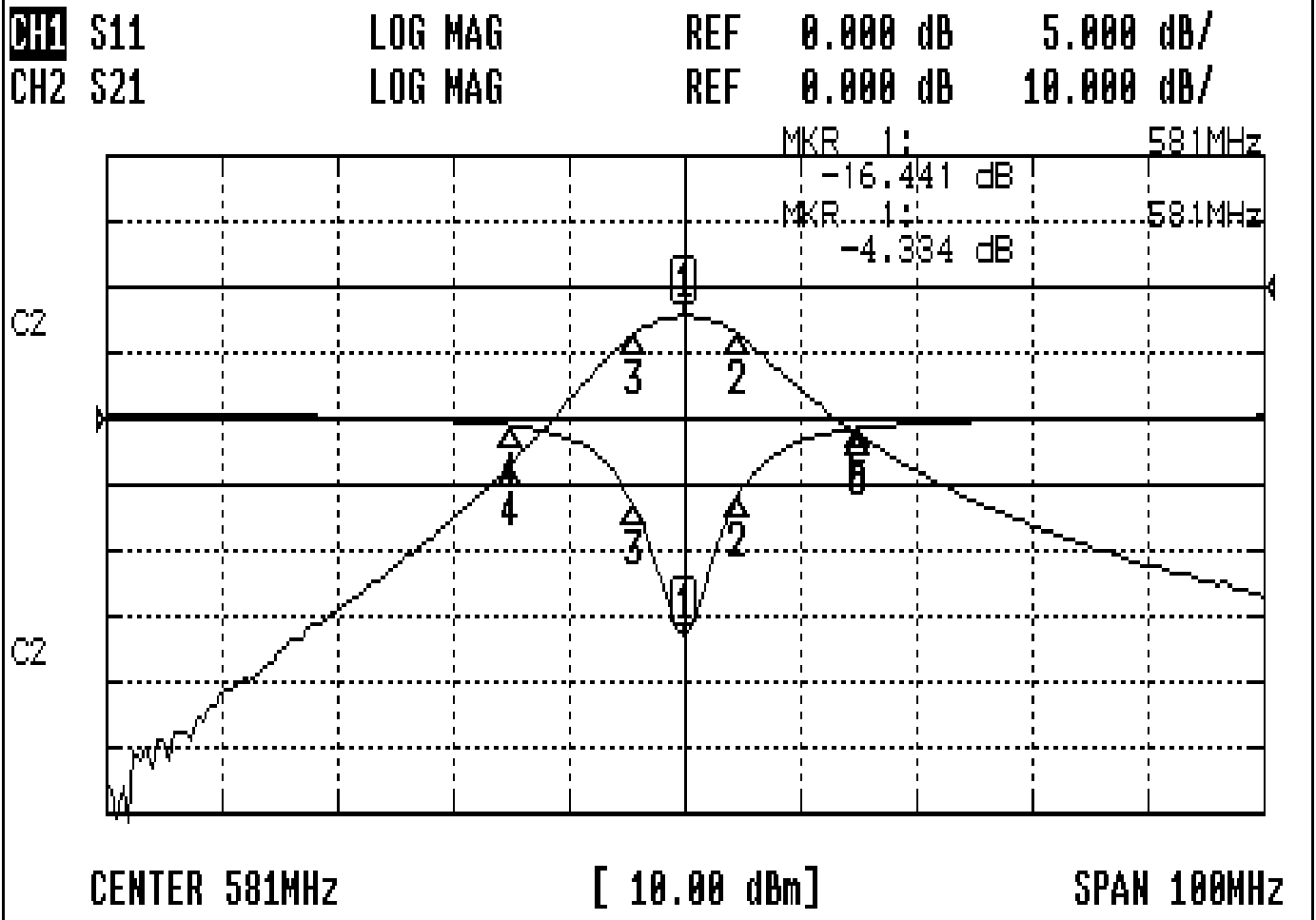


Approval	Supervisor	Designer	Aperture size
C.Y.Chang	C.S.Chang	J.F.Lin	7H3(4*4.65) 7H046LB4 聚 3

TEMWELL CORPORATION

# Performance-TTL6327F-581M

## 0711102C



### CH1 MARKER LIST

1	581.000MHz	-16.441 dB
2	585.666MHz	-5.936 dB
3	576.500MHz	-6.329 dB
4	566.000MHz	-0.485 dB
5	596.000MHz	-0.732 dB

### CH2 MARKER LIST

1	581.000MHz	-4.334 dB
2	585.666MHz	-7.325 dB
3	576.500MHz	-7.314 dB
4	566.000MHz	-26.826 dB
5	596.000MHz	-22.386 dB