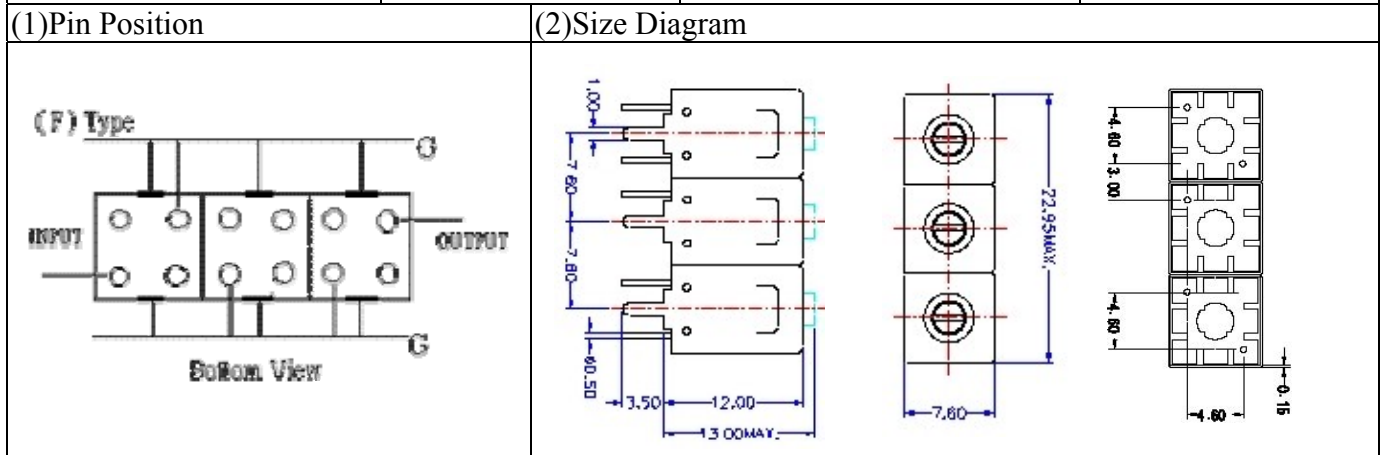


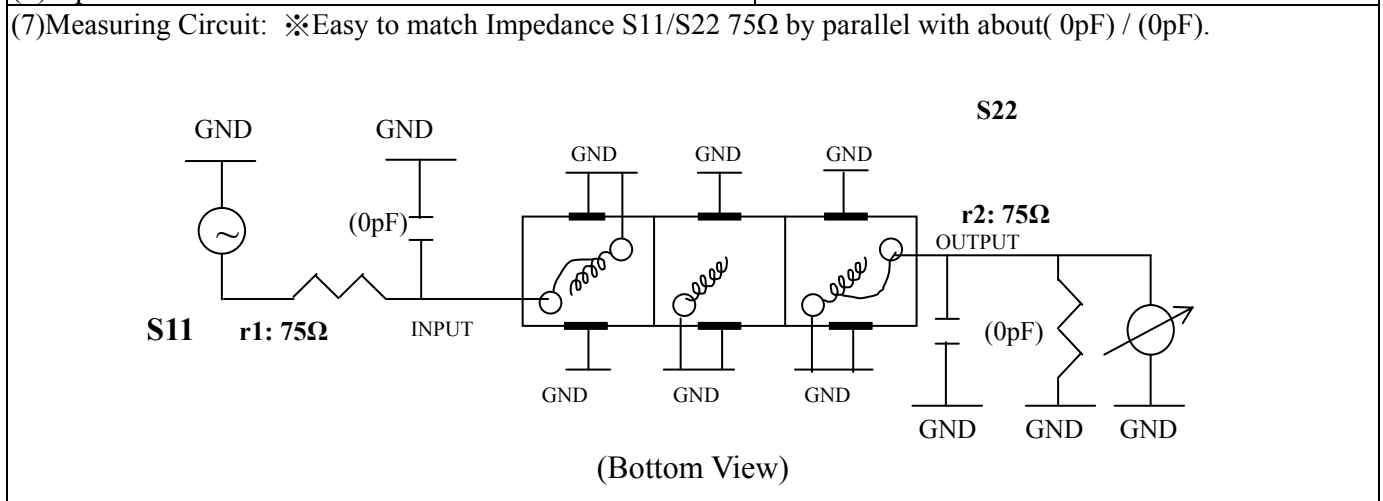
VHF UHF Helical Filter Specification Sheet

Customer Name		Temwell's Part No.	TTL6325F-545M
Approval No. /dated	0711100APR	Temwell's print name	6325F 545M
Work Instruction No.	0711100C	Date	Dec.24.2007



(3) Electric Characteristic			
Item		Specify	Performance
Center Freq.(Fo) +/- 0.5 %		545 MHz	545 MHz
Tunable Range:		545±5 MHz	545±5 MHz
Insertion Loss		Typ. 6.0 dB	3.88 dB
-3 dB Bandwidth		Typ. 6 MHz	9.1 MHz
Sensitivity (Attenuation)	Fo - 15 MHz	Typ. 30 dB	30 dB
	Fo + 15 MHz	Typ. 25 dB	24 dB
	Fo - ()MHz	Typ. dB	dB
	Fo + ()MHz	Typ. dB	dB
Return Loss		Min. 12 dB	23.4 dB
Ripple		< 1 dB	dB
Impedance		In / Out : 75 Ω	In / Out : 75 Ω

(4) Torque for Tuning Screw		> 60gf · cm
(5) Temperature Condition:		
Operating Temperature	0°C ~ +60°C	
Storage Temperature	-20°C ~ +70°C	
(6) Input Power		> 1 Watt



Approval C.Y.Chang	Supervisor C.S.Chang	Designer J.F.Lin	Aperture size 7H3(4*4.65)F 7H046LB4 聚 3
-----------------------	-------------------------	---------------------	---

TEMWELL CORPORATION

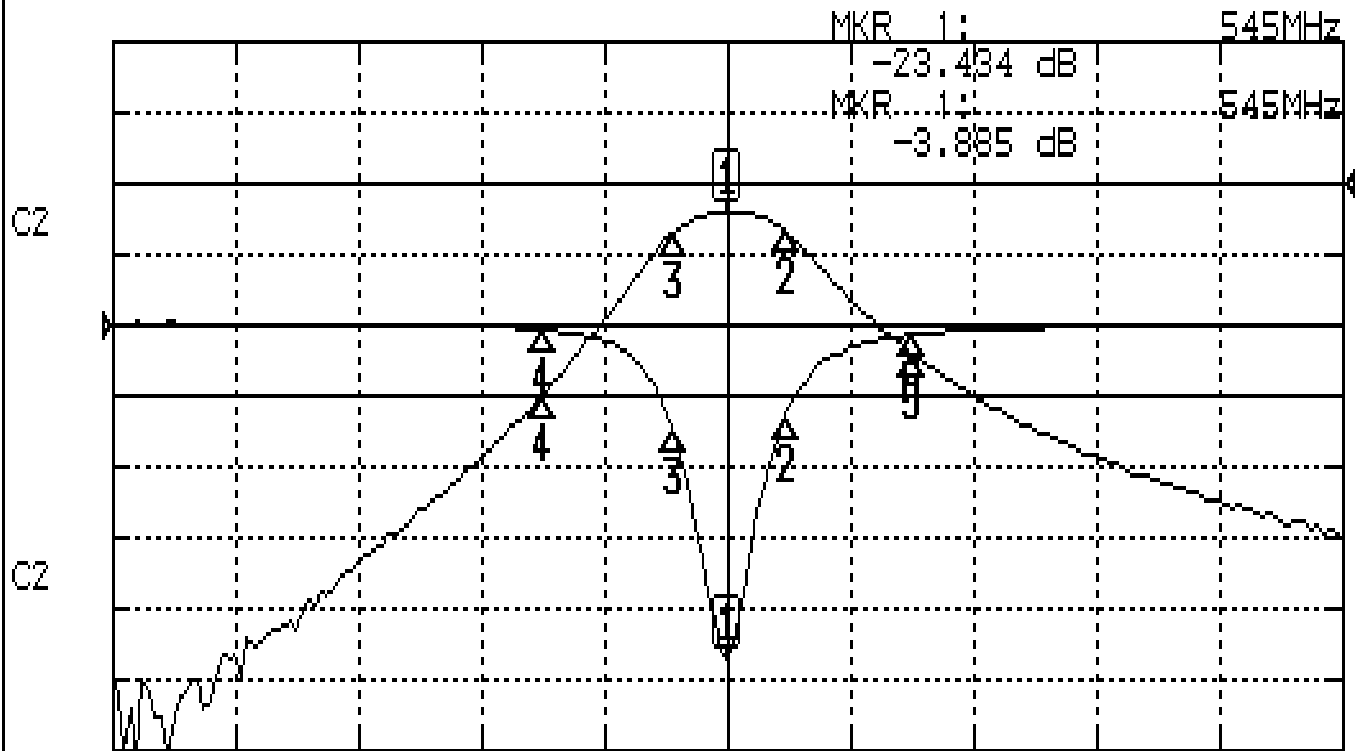
TEMWELL

Form10-7H3F Vision D RP(J.F.Lin)

Performance-TTL6325F-545M

0711100C

CH1 S11 LOG MAG REF 0.000 dB 5.000 dB/
CH2 S21 LOG MAG REF 0.000 dB 10.000 dB/



CENTER 545MHz

[10.00 dBm]

SPAN 100MHz

CH1 MARKER LIST

1	545.000MHz	-23.434 dB
2	549.750MHz	-6.404 dB
3	540.666MHz	-7.634 dB
4	530.000MHz	-0.309 dB
5	560.000MHz	-0.657 dB

CH2 MARKER LIST

1	545.000MHz	-3.885 dB
2	549.750MHz	-6.913 dB
3	540.666MHz	-6.791 dB
4	530.000MHz	-29.802 dB
5	560.000MHz	-24.007 dB