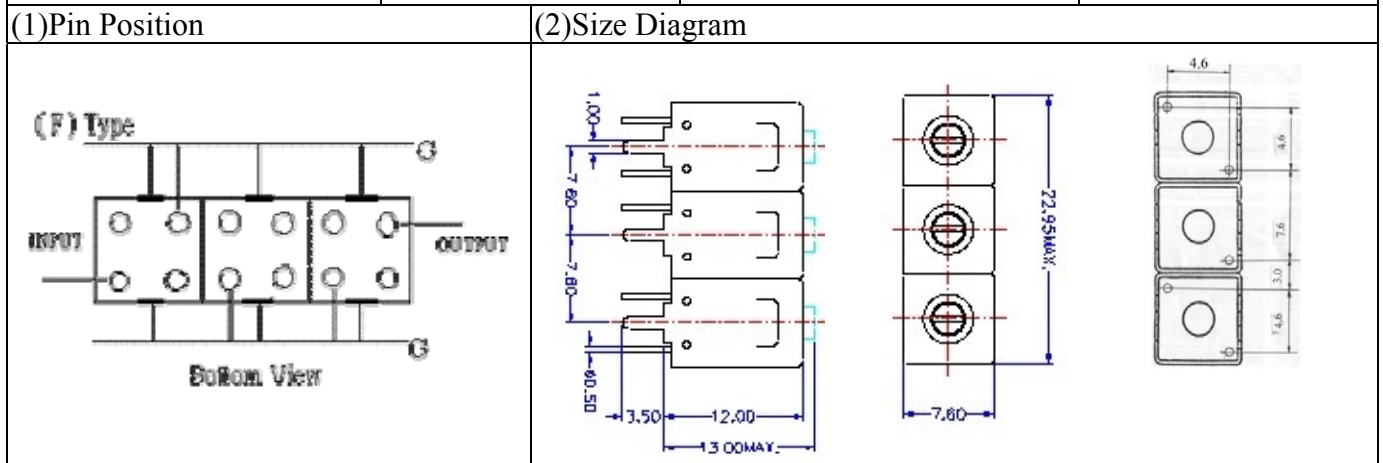


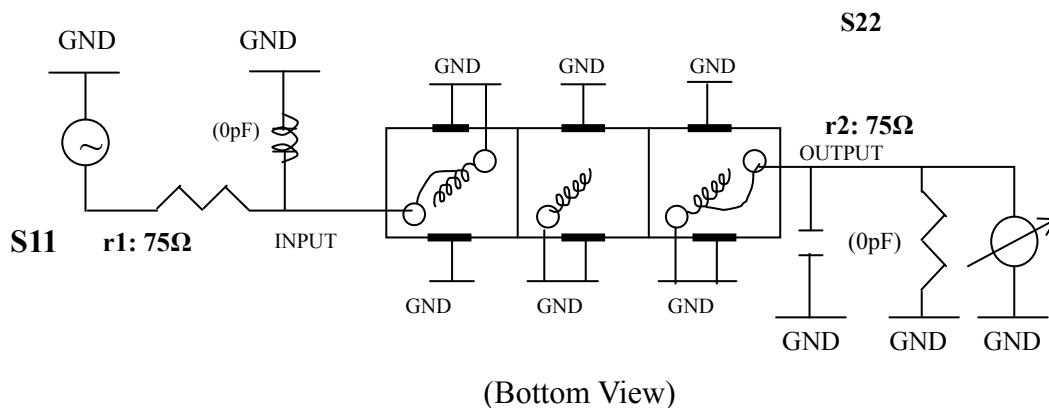
VHF UHF Helical Filter Specification Sheet

Customer Name		Temwell's Part No.	TTL6324F-533M
Approval No. /dated	0611049APR	Temwell's Print Name	
Work Instruction No.	0611049DC	Date	Nov.23.2006



(3) Electric Characteristic			
Item		Specify	Performance
Center Freq.(Fo) +/- 0.5 %		533 MHz	533 MHz
Tunable Range		533±10 MHz	533±10 MHz
Insertion Loss		Typ. 6.0 dB	4.68 dB
-3 dB Bandwidth		Typ. 6 MHz	9.2 MHz
Sensitivity (Attenuation)	Fo - 15 MHz	Typ. 30 dB	33 dB
	Fo + 15 MHz	Typ. 24 dB	27 dB
	Fo - ()MHz	Typ. dB	dB
	Fo +()MHz	Typ. dB	dB
Return Loss		Min. 12 dB	27.1 dB
Ripple		< 1 dB	dB
Impedance		In / Out : 75 Ω	In / Out : 75 Ω
(4) Torque for Tuning Screw		> 60gf · cm	
(5) Temperature Condition:			
Operating Temperature		-0°C ~ +60°C	
Storage Temperature		-20°C ~ +70°C	
(6) Input Power		> 1Watt	

(7) Measuring Circuit: ※Easy to match Impedance S11/S22 75Ω by parallel with about(0pF)/(0pF).



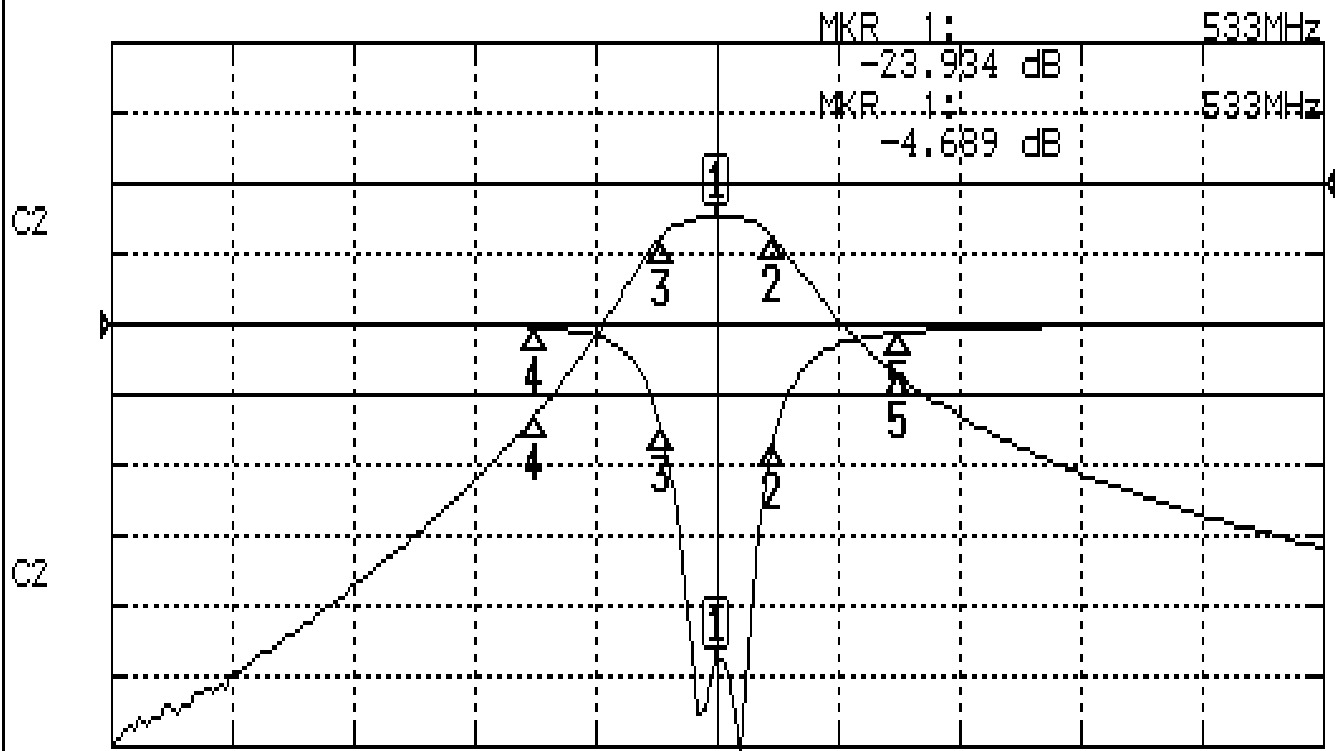
Approval	Supervisor	Designer	Aperture size
C.Y.Chang	C.S.Chang	C.S.Chang	7H3(4*4.65)F 7H046LB4 聚 3

TEMWELL CORPORATION

Performance-TTL6324F-533M

0611049DC

CH1 S11 LOG MAG REF 0.000 dB 5.000 dB/
CH2 S21 LOG MAG REF 0.000 dB 10.000 dB/



CENTER 533MHz

[10.00 dBm]

SPAN 100MHz

CH1 MARKER LIST

Marker	Frequency (MHz)	Magnitude (dB)
1	533.000	-23.934
2	537.666	-4.689
3	528.416	-7.439
4	518.000	-0.188
5	548.000	-0.588

CH2 MARKER LIST

Marker	Frequency (MHz)	Magnitude (dB)
1	533.000	-4.689
2	537.666	-7.700
3	528.416	-7.709
4	518.000	-33.079
5	548.000	-27.279