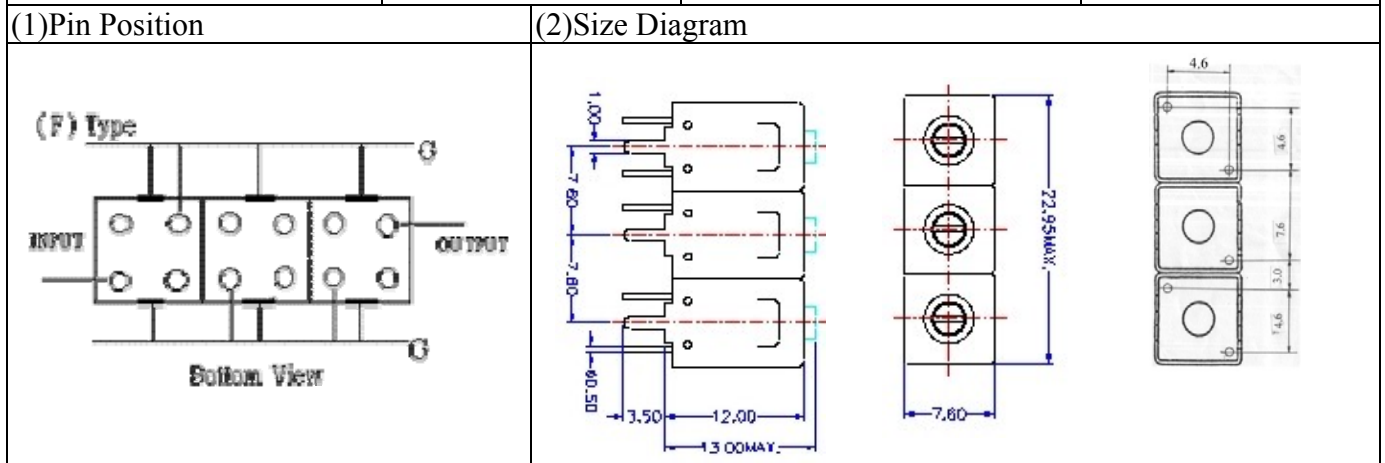


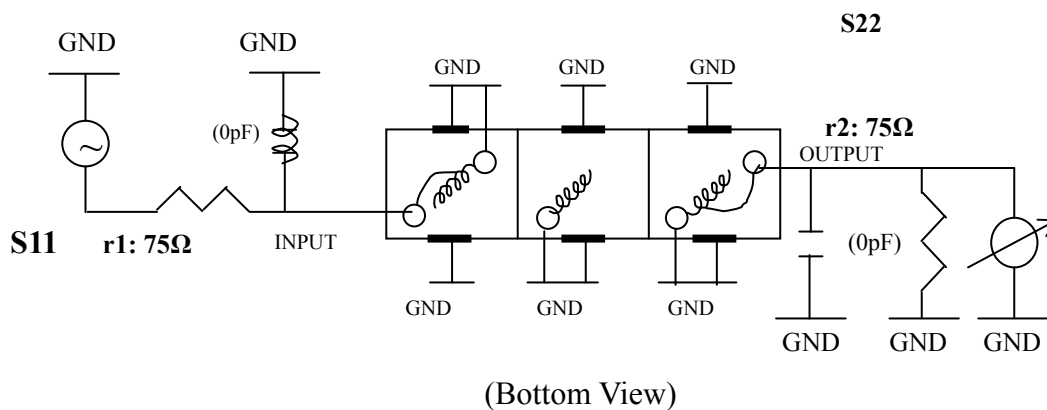
# VHF UHF Helical Filter Specification Sheet

Customer Name		Temwell's Part No.	TTL6323F-531.25M
Approval No. /dated	0611048APR	Acceptable Specify Fo Range	516~555 MHz
Work Instruction No.	0611048DC	Date	Nov.23.2006



(3) Electric Characteristic			
Item		Specify	Performance
Center Freq.(Fo) +/- 0.5 %		531.25 MHz	531.25 MHz
Tunable Range		531.25±5 MHz	531.25±5 MHz
Insertion Loss		Typ. 6.0 dB	4.76 dB
-3 dB Bandwidth		Typ. 6 MHz	9.6 MHz
Sensitivity (Attenuation)	Fo - 15 MHz	Typ. 30 dB	33 dB
	Fo + 15 MHz	Typ. 25 dB	28 dB
	Fo - ( )MHz	Typ. dB	dB
	Fo + ( )MHz	Typ. dB	dB
Return Loss		Min. 12 dB	28.0 dB
Ripple		< 1 dB	dB
Impedance		In / Out : 75 Ω	In / Out : 75 Ω
(4) Torque for Tuning Screw		> 60gf · cm	
(5) Temperature Condition:			
Operating Temperature		-0°C ~ +60°C	
Storage Temperature		-20°C ~ +70°C	
(6) Input Power		> 1Watt	

(7) Measuring Circuit: ※Easy to match Impedance S11/S22 75Ω by parallel with about(0pF)/(0pF).

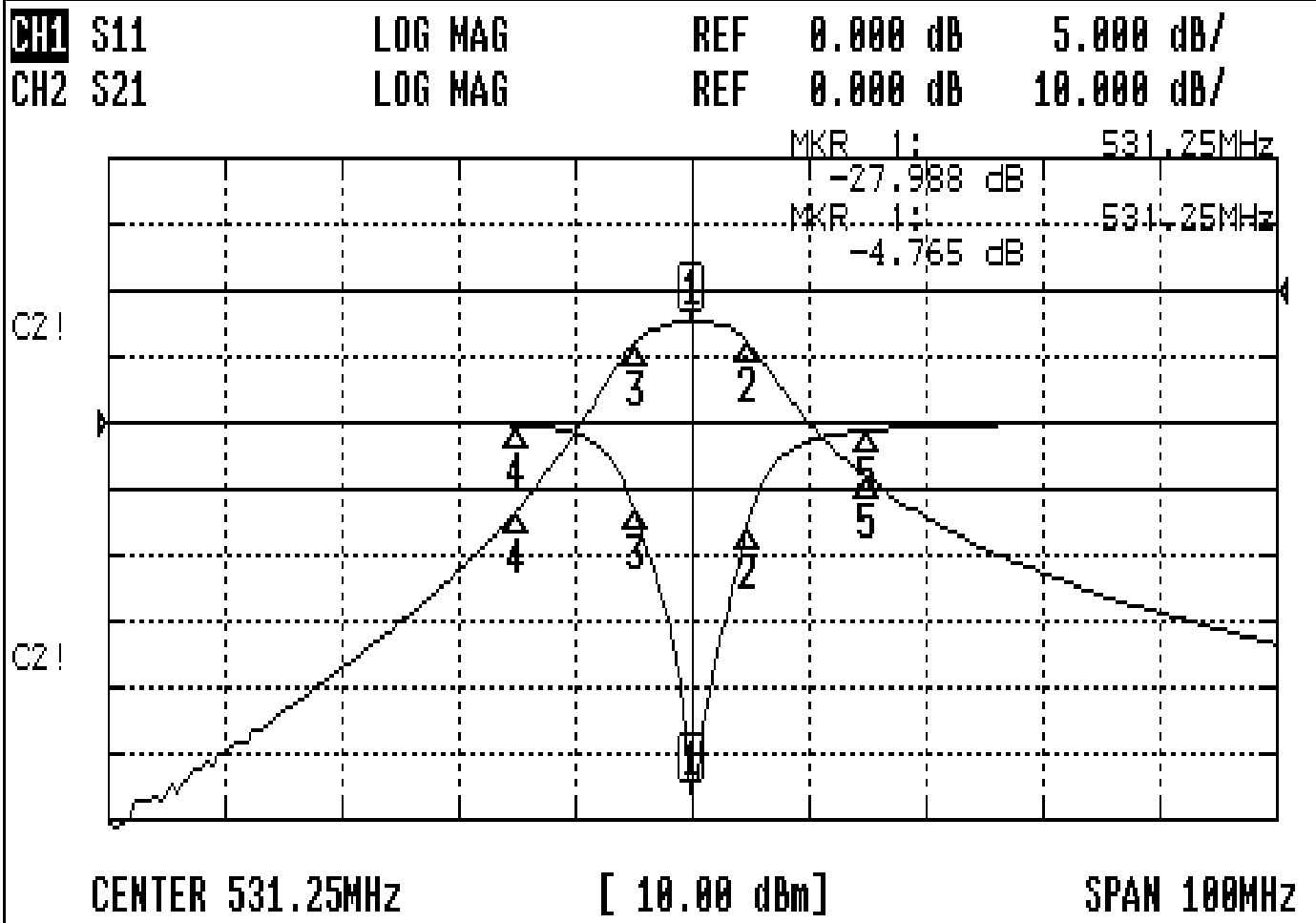


Approval	Supervisor	Designer	Aperture size
C.Y.Chang	C.S.Chang	C.S.Chang	7H3(4*4.65)F 7H046LB4 聚 3

TEMWELL CORPORATION

# Performance-TTL6323F-531.25M

## 0611048DC



### CH1 MARKER LIST

1	531.250MHz	-28.026	dB
2	536.000MHz	-7.906	dB
3	526.416MHz	-6.707	dB
4	516.250MHz	-0.183	dB
5	546.250MHz	-0.558	dB

### CH2 MARKER LIST

1	531.250MHz	-4.765	dB
2	536.000MHz	-7.729	dB
3	526.416MHz	-7.762	dB
4	516.250MHz	-33.359	dB
5	546.250MHz	-28.275	dB