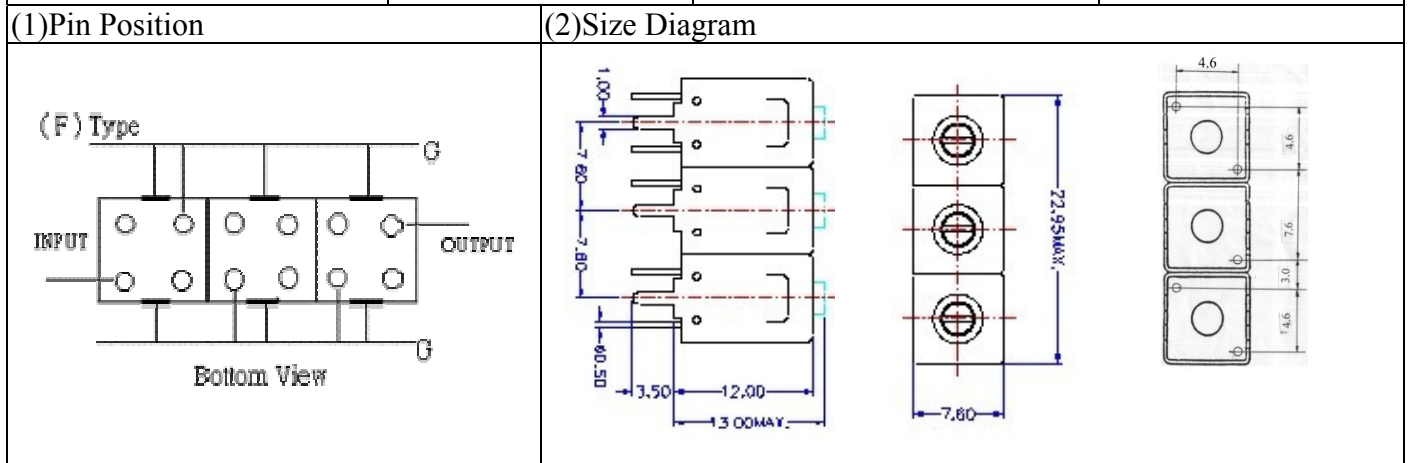


# VHF UHF Helical Filter Specification Sheet

Customer Name		Temwell's Part No.	TTL6322F-525.25M
Approval No. /dated	0611047APR	Acceptable Specify Fo Range	516~555 MHz
Work Instruction No.	0611047DC	Date	Nov.23.2006



(3) Electric Character

Item	Specify	Performance	
Center Freq.(Fo) +/- 0.5 %	525.25 MHz	525.25 MHz	
Tunable Range	525.25±5 MHz	525.25±5 MHz	
Insertion Loss	Typ. 6.0 dB	4.54 dB	
-3 dB Bandwidth	Typ. 6 MHz	9.3 MHz	
Sensitivity (Attenuation)	Fo - 15 MHz	Typ. 30 dB	33 dB
	Fo + 15 MHz	Typ. 25 dB	28 dB
	Fo - ( )MHz	Typ. dB	dB
	Fo +( )MHz	Typ. dB	dB
Return Loss	Min. 12 dB	22.7 dB	
Ripple	< 1 dB	dB	
Impedance	In / Out : 75 Ω	In / Out : 75 Ω	

(4) Torque for Tuning Screw > 60gf • cm

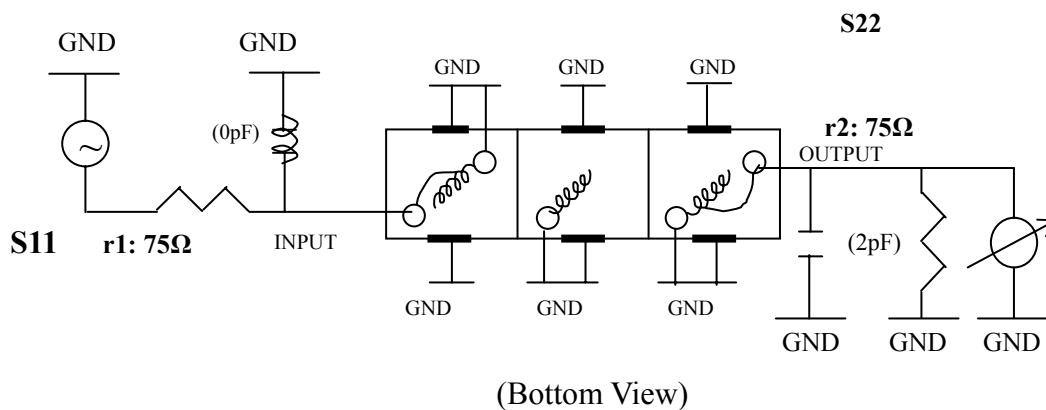
(5) Temperature Condition:

Operating Temperature 0°C ~ +60°C

Storage Temperature -20°C ~ +70°C

(6) Input Power > 1Watt

(7) Measuring Circuit: ※Easy to match Impedance S11/S22 75Ω by parallel with about(0pF)/(2pF).



Approval	Supervisor	Designer	Aperture size
C.Y.Chang	C.S.Chang	C.S.Chang	7H3(4*4.65)F 7H046LB4 聚 3

TEMWELL CORPORATION

TEMWELL

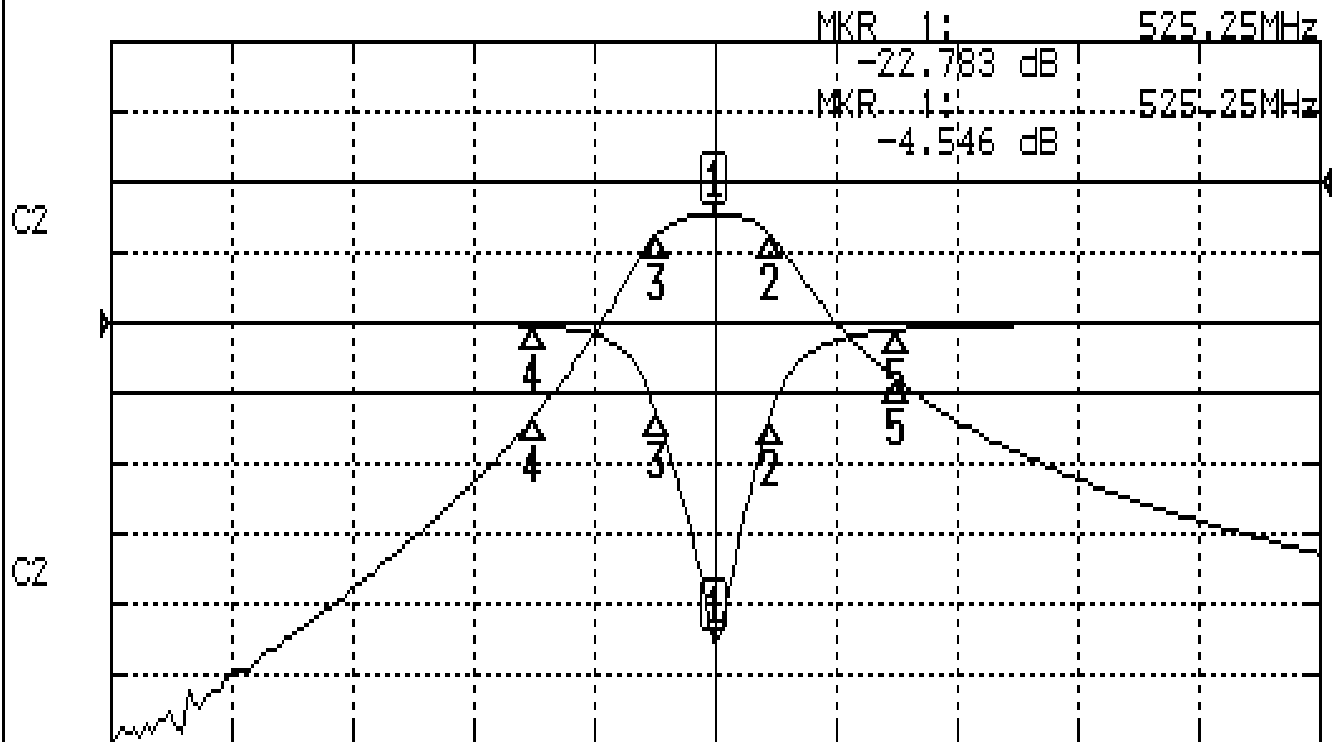
Form10-7H3F Vision D

RP C.S.Chang

# Performance-TTL6322F-525.25M

## 0611047DC

CH1 S11 LOG MAG REF 0.000 dB 5.000 dB/  
CH2 S21 LOG MAG REF 0.000 dB 10.000 dB/



CENTER 525.25MHz

[ 10.00 dBm ]

SPAN 100MHz

### CH1 MARKER LIST

1:	525.250MHz	-22.785 dB
2:	529.833MHz	-6.717 dB
3:	520.500MHz	-6.558 dB
4:	510.250MHz	-0.208 dB
5:	540.250MHz	-0.493 dB

### CH2 MARKER LIST

1:	525.250MHz	-4.546 dB
2:	529.833MHz	-7.623 dB
3:	520.500MHz	-7.475 dB
4:	510.250MHz	-33.487 dB
5:	540.250MHz	-28.105 dB