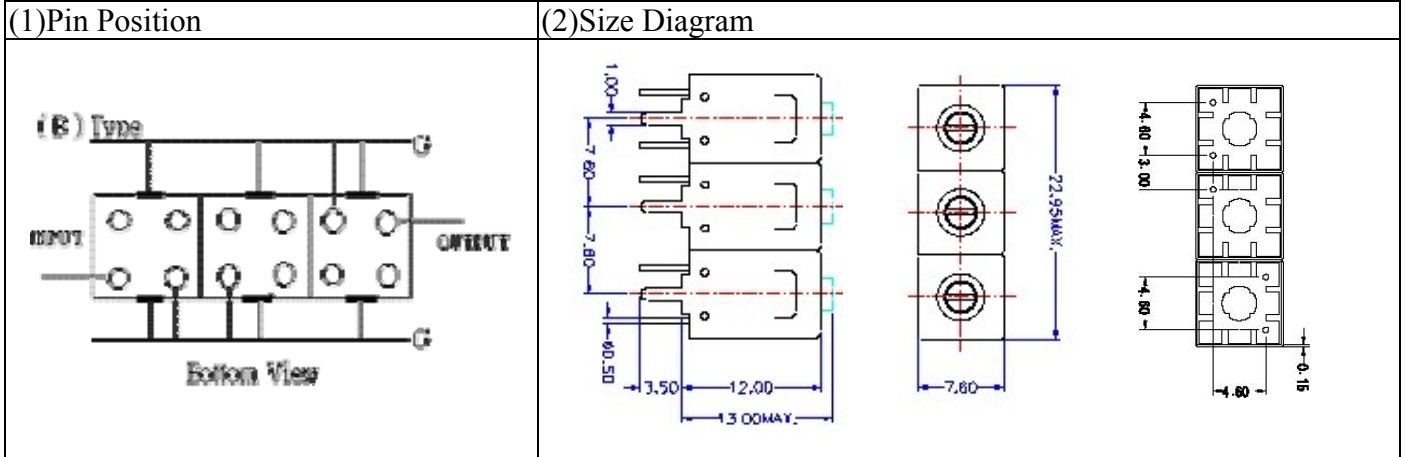


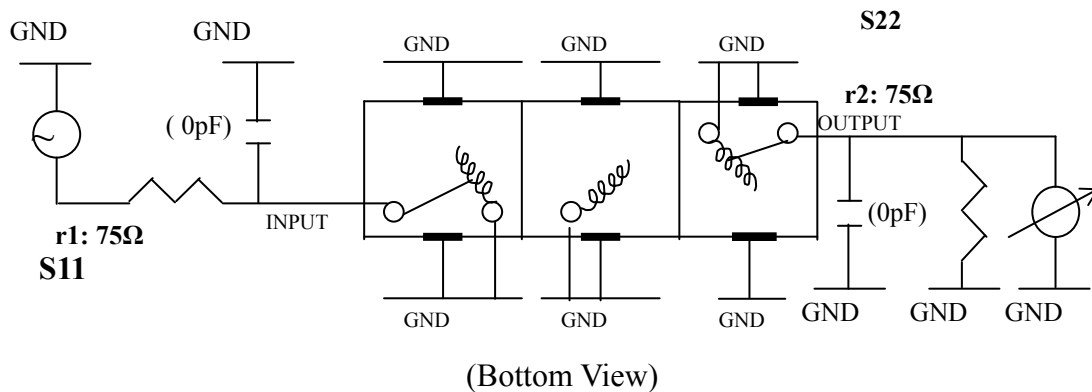
# VHF UHF Helical Filter Specification Sheet

Customer Name		Temwell's Part No.	TTL63228B-1025M
Approval No. /dated	0802035APR	Acceptable Specify Fo Range	1001~1100MHz
Work Instruction No.	0802035CD	Date	Feb.18.2008



(3) Electric Characteristic			
Item		Specify	Performance
Center Freq.(Fo) +/- 0.5 %		1025 MHz	1025 MHz
Tunable Range:		1025±5 MHz	1025±5 MHz
Insertion Loss		Typ. 2.0 dB	1.07 dB
-3 dB Bandwidth		Typ. 130 MHz	135.8 MHz
Sensitivity (Attenuation)	Fo - 200 MHz	Typ. 40 dBc	43 dBc
	Fo + 200 MHz	Typ. 16 dBc	19 dBc
	Fo - ( )MHz	Typ. dBc	dBc
	Fo +( )MHz	Typ. dBc	dBc
Return Loss		Min. 12 dB	20.8 dB
Ripple		< 1 dB	dB
Impedance		In / Out : 75 Ω	In / Out : 75 Ω
(4) Torque for Tuning Screw		> 100gf · cm	
(5) Temperature Condition:			
Operating Temperature		0°C ~ +60°C	
Storage Temperature		-20°C ~ +70°C	
(6) Input Power		> 1Watt	

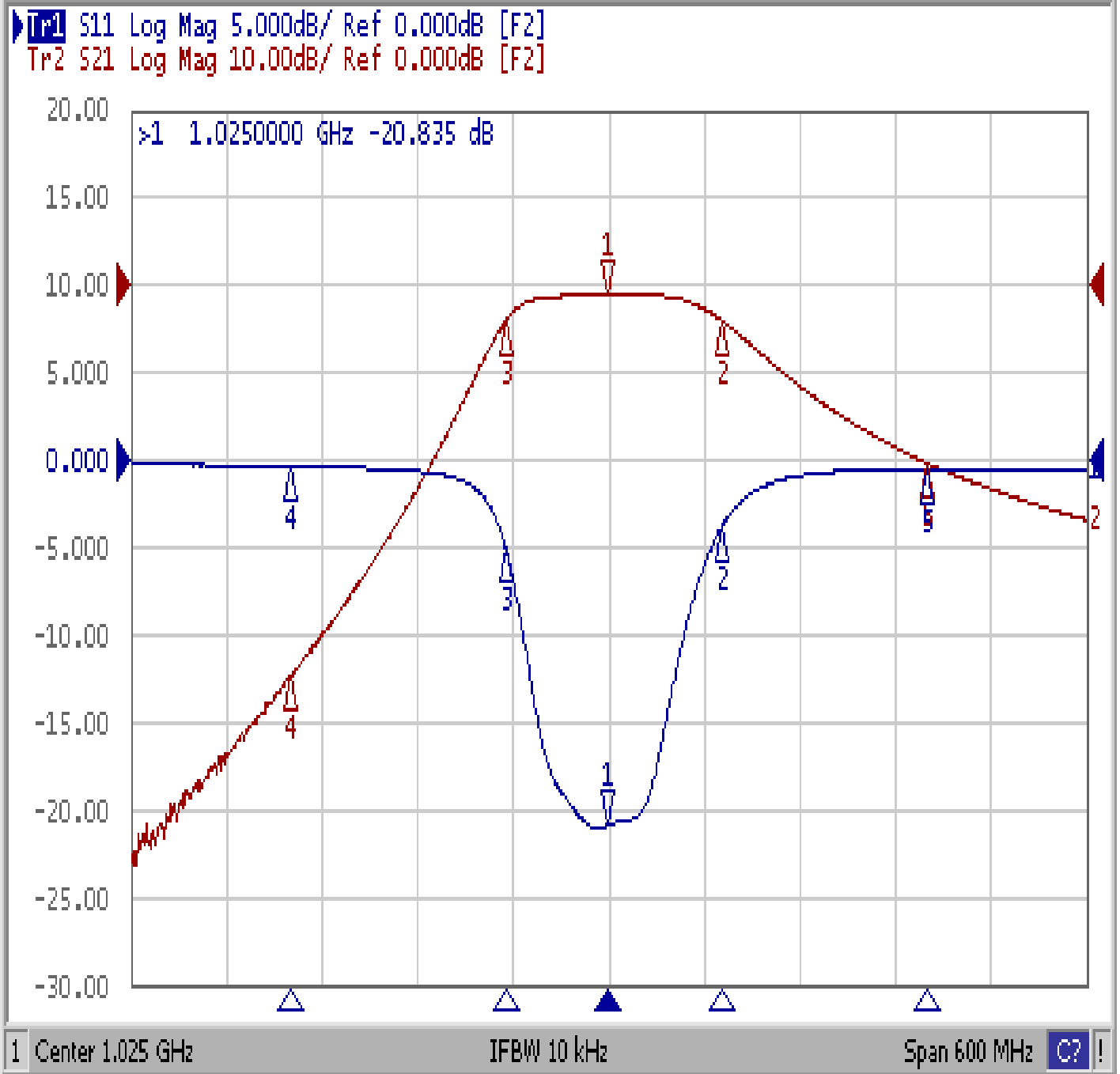
(7) Measuring Circuit: ※Easy to match Impedance S11/S22 75Ω by parallel with about(0pF) / (0pF).



Approval	Supervisor	Designer	Aperture size
C.Y.Chang	C.S.Chang	C.S.Chang	7H3(4*8.0)F(6.5B) 7H046RB6.5
TEMWELL CORPORATION			

# Performance-TTL63228B-1025M

## 0802035CD



Ch1	Tr1	S11	>1	1.0250000	GHz	-20.835	dB
Ch1	Tr1	S11	2	1.0959370	GHz	-3.7922	dB
Ch1	Tr1	S11	3	960.19600	MHz	-5.0189	dB
Ch1	Tr1	S11	4	825.00000	MHz	-0.3436	dB
Ch1	Tr1	S11	5	1.2250000	GHz	-0.5141	dB
Ch1	Tr2	S21	1	1.0250000	GHz	-1.0747	dB
Ch1	Tr2	S21	2	1.0959370	GHz	-4.0522	dB
Ch1	Tr2	S21	3	960.19600	MHz	-4.0585	dB
Ch1	Tr2	S21	4	825.00000	MHz	-44.778	dB
Ch1	Tr2	S21	5	1.2250000	GHz	-20.324	dB