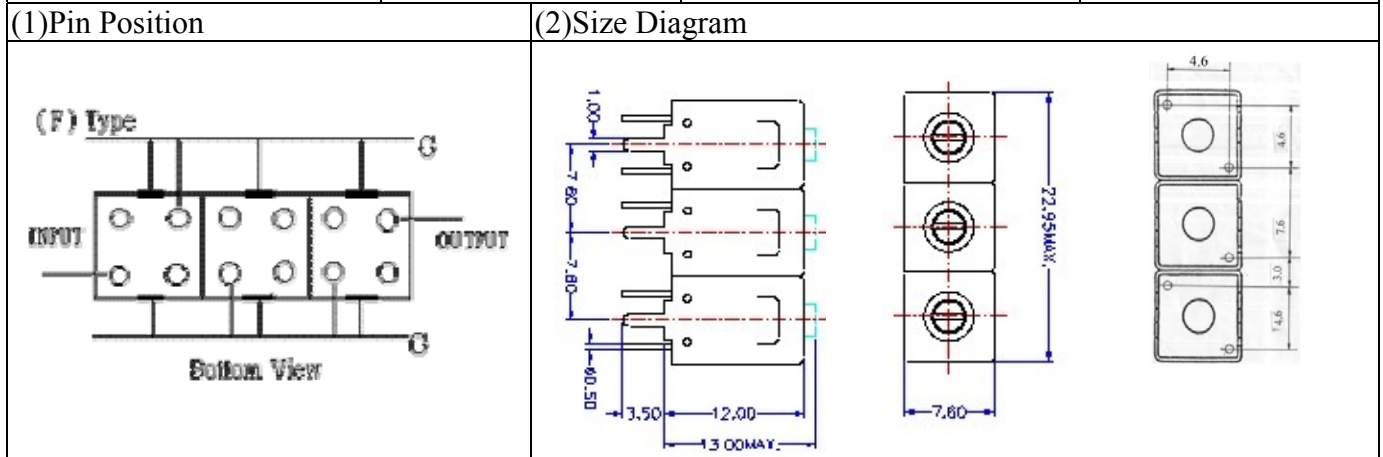


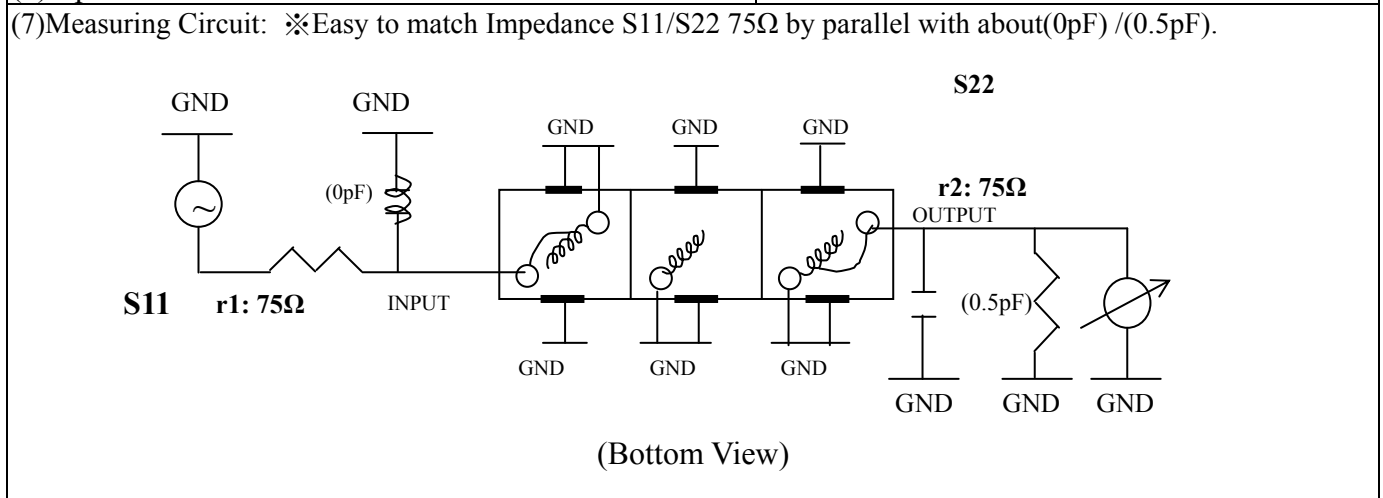
# VHF UHF Helical Filter Specification Sheet

Customer Name		Temwell's Part No.	TTL6321F-519.25M
Approval No. /dated	0611046APR	Acceptable Specify Fo Range	456~515 MHz
Work Instruction No.	0611046DC	Date	Nov.23.2006



Item		Specify	Performance
Center Freq.(Fo) +/- 0.5 %		519.25 MHz	519.25 MHz
Tunable Range		519.25±5 MHz	519.25±5 MHz
Insertion Loss		Typ. 6.0 dB	4.56 dB
-3 dB Bandwidth		Typ. 6 MHz	8.5 MHz
Sensitivity (Attenuation)	Fo - 15 MHz	Typ. 35 dB	38 dB
	Fo + 15 MHz	Typ. 25 dB	28 dB
	Fo - ( )MHz	Typ. dB	dB
	Fo +( )MHz	Typ. dB	dB
Return Loss		Min. 12 dB	37.5 dB
Ripple		< 1 dB	dB
Impedance		In / Out : 75 Ω	In / Out : 75 Ω
(4) Torque for Tuning Screw		> 60gf · cm	

(5) Temperature Condition:	
Operating Temperature	0°C ~ +60°C
Storage Temperature	-20°C ~ +70°C
(6) Input Power	
	> 1 Watt



Approval	Supervisor	Designer	Aperture size
C.Y.Chang	C.S.Chang	J.F.Lin	7H3(4*4.65)F(4.67) 7H046LB4 聚 3

TEMWELL CORPORATION

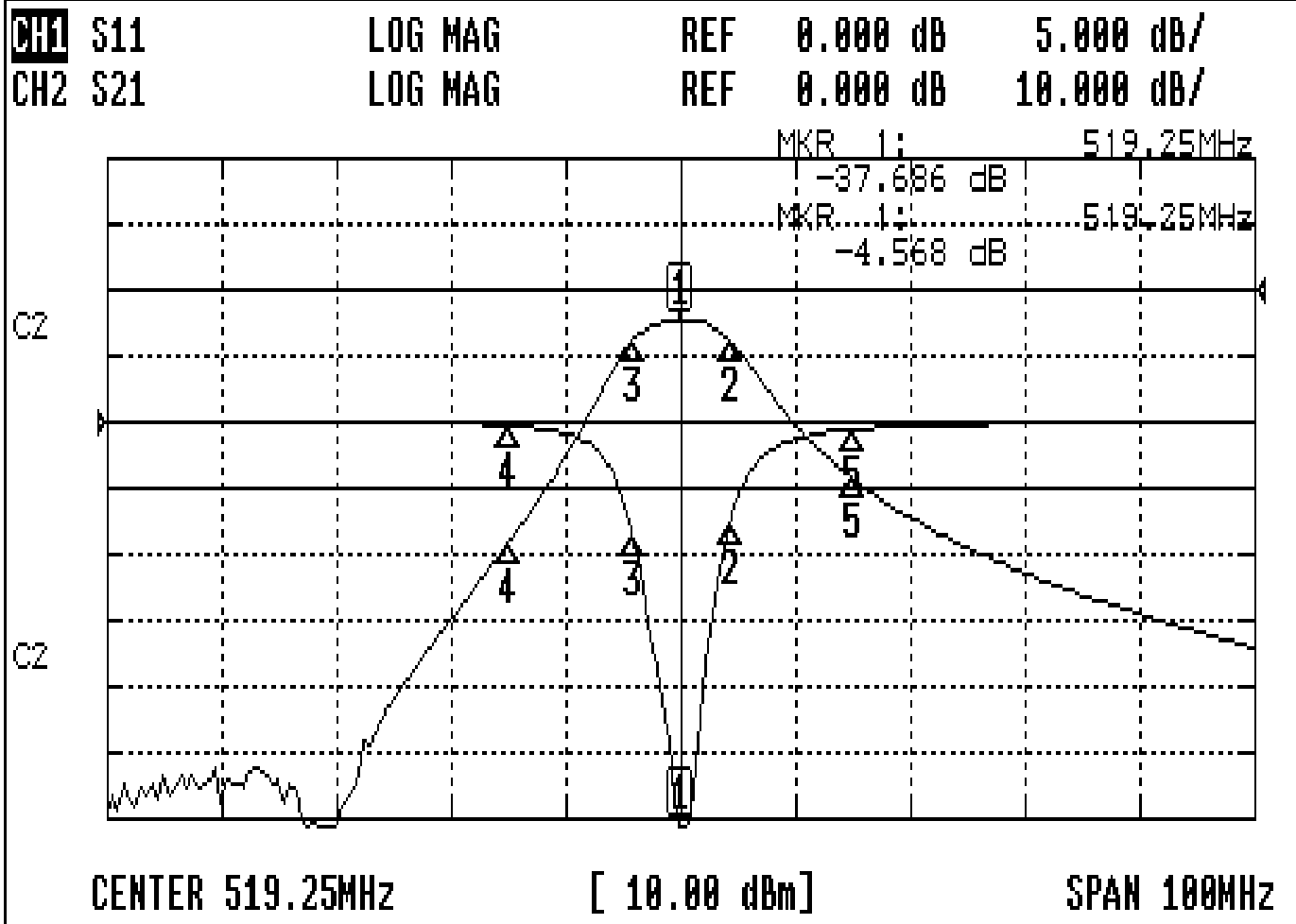
TEMWELL

Form10-7H3F Vision D

RP(J.F.Lin)

# Performance-TTL6321F-519.25M

0611046DC



## CH1 MARKER LIST

1:	519.250MHz	-37.507	dB
2:	523.583MHz	-7.724	dB
3:	515.083MHz	-8.495	dB
4:	504.250MHz	-0.247	dB
5:	534.250MHz	-0.539	dB

## CH2 MARKER LIST

1:	519.250MHz	-4.568	dB
2:	523.583MHz	-7.651	dB
3:	515.083MHz	-7.567	dB
4:	504.250MHz	-38.397	dB
5:	534.250MHz	-28.463	dB