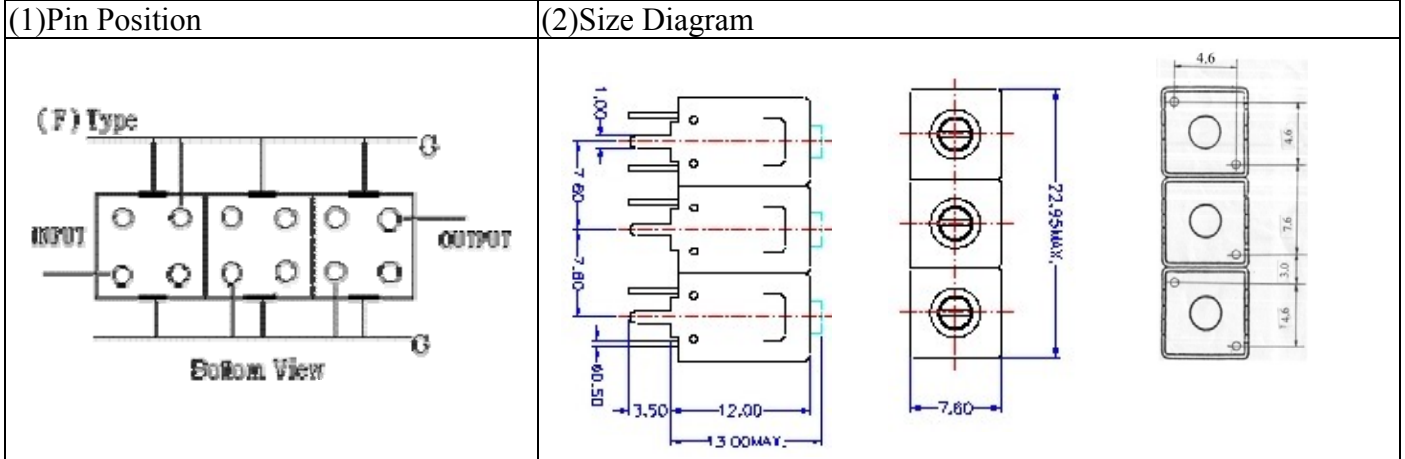


VHF UHF Helical Filter Specification Sheet

Customer Name		Temwell's Part No.	TTL6320F-513.25M
Approval No. /dated	0611045APR	Acceptable Specify Fo Range	456~515 MHz
Work Instruction No.	0611045DC	Date	Nov.23.2006



(3) Electric Characteristic

Item	Specify	Performance
Center Freq.(Fo) +/- 0.5 %	513.25 MHz	513.25 MHz
Tunable Range	513.25±5 MHz	513.25±5 MHz
Insertion Loss	Typ. 6.0 dB	4.37 dB
-3 dB Bandwidth	Typ. 6 MHz	9.0 MHz
Sensitivity (Attenuation)	Fo - 15 MHz	Typ. 34 dB
	Fo + 15 MHz	Typ. 27 dB
	Fo - ()MHz	Typ. dB
	Fo +()MHz	Typ. dB
Return Loss	Min. 12 dB	22.5 dB
Ripple	< 1 dB	dB
Impedance	In / Out : 75 Ω	In / Out : 75 Ω

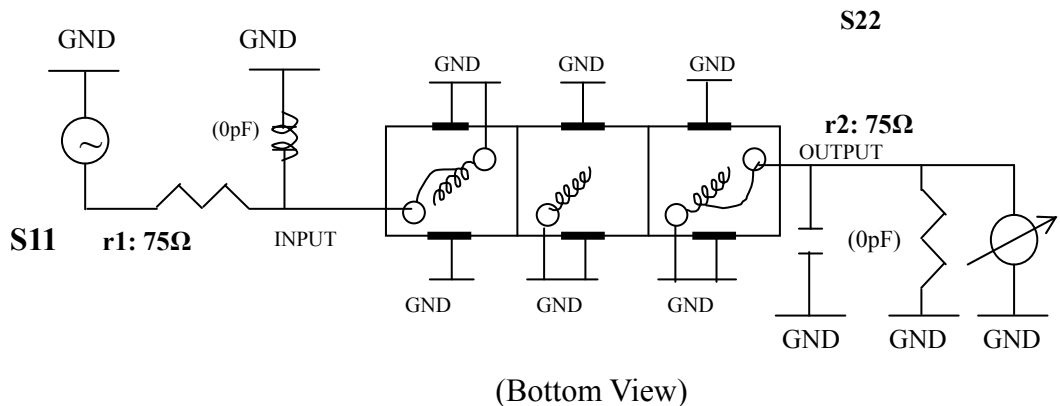
(4) Torque for Tuning Screw > 60gf · cm

(5) Temperature Condition:

Operating Temperature	0°C ~ +60°C
Storage Temperature	-20°C ~ +70°C

(6) Input Power > 1Watt

(7) Measuring Circuit: ※Easy to match Impedance S11/S22 75Ω by parallel with about(0pF)/(0pF).



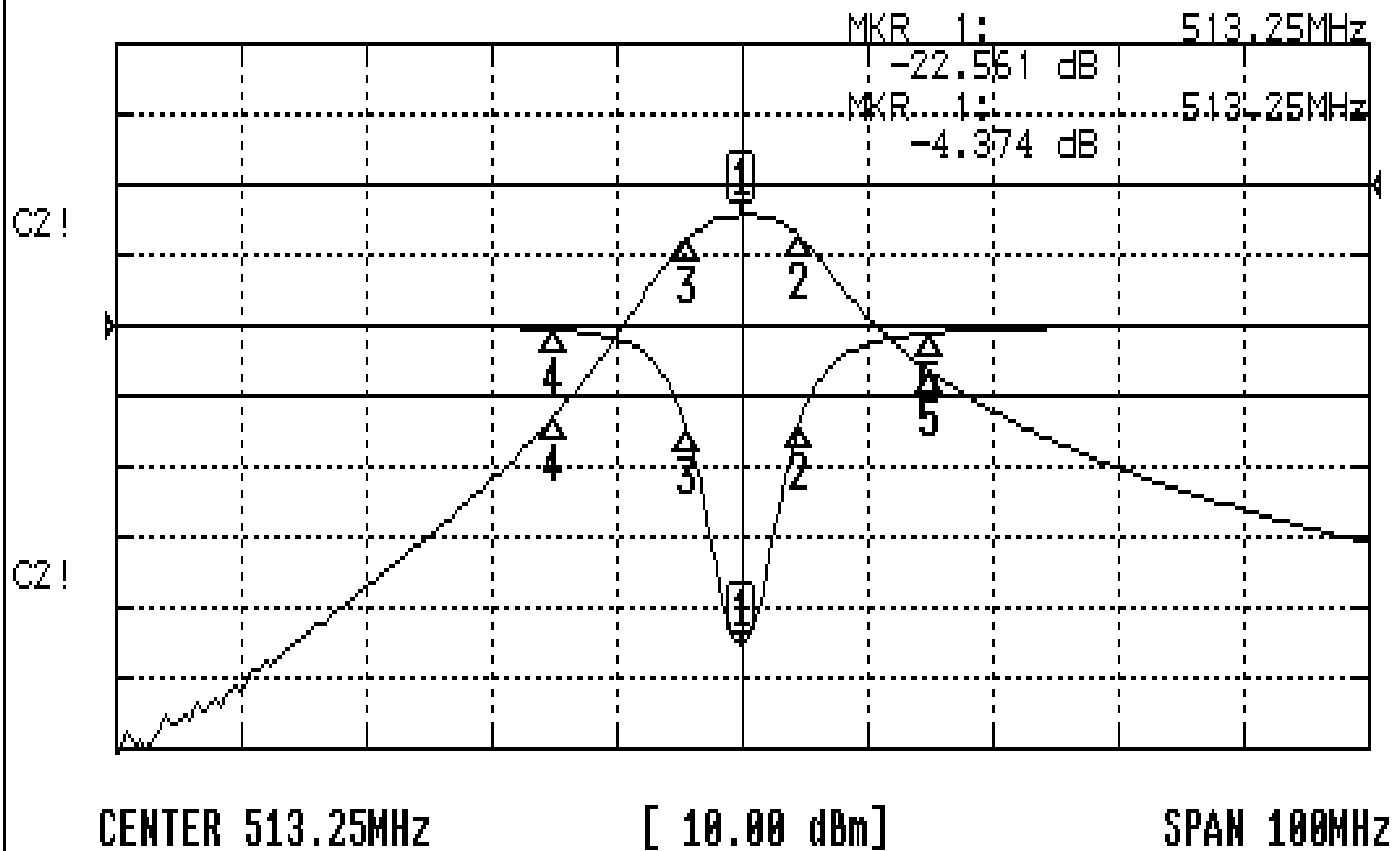
Approval	Supervisor	Designer	Aperture size
C.Y.Chang	C.S.Chang	C.S.Chang	7H3(4*4.65)F 7H046LB4 聚 3

TEMWELL CORPORATION

Performance-TTL6320F-513.25M

0611045DC

CH1 S11 LOG MAG REF 0.000 dB 5.000 dB/
CH2 S21 LOG MAG REF 0.000 dB 10.000 dB/



CH1 MARKER LIST

1:	513.250MHz	-22.553	dB
2:	517.916MHz	-6.887	dB
3:	508.916MHz	-7.490	dB
4:	498.250MHz	-0.291	dB
5:	528.250MHz	-0.528	dB
10:			

CH2 MARKER LIST

1:	513.250MHz	-4.374	dB
2:	517.916MHz	-7.440	dB
3:	508.916MHz	-7.462	dB
4:	498.250MHz	-32.855	dB
5:	528.250MHz	-26.471	dB
10:			