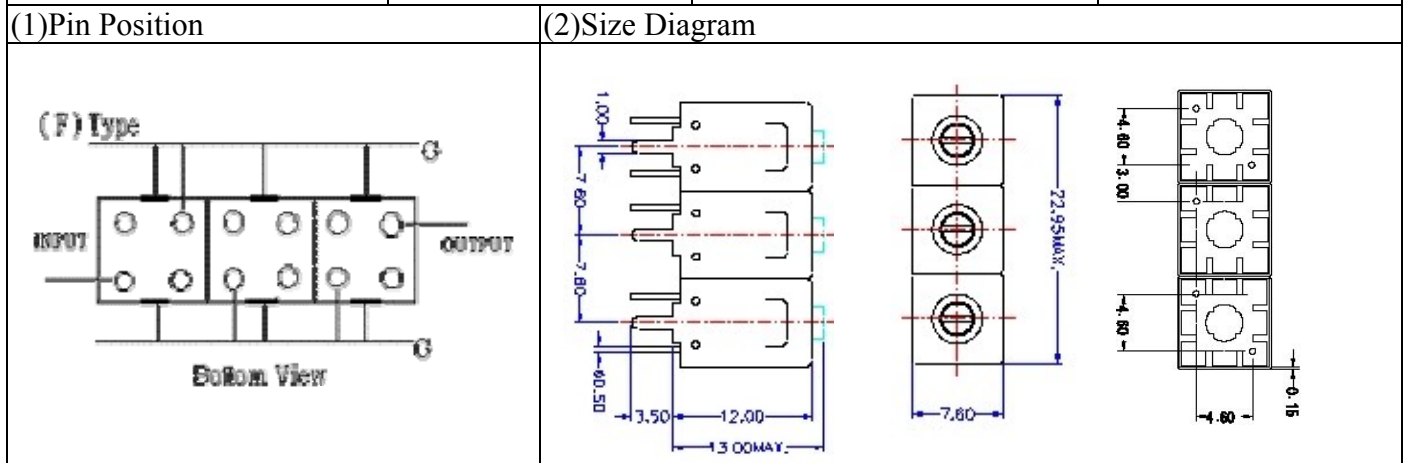


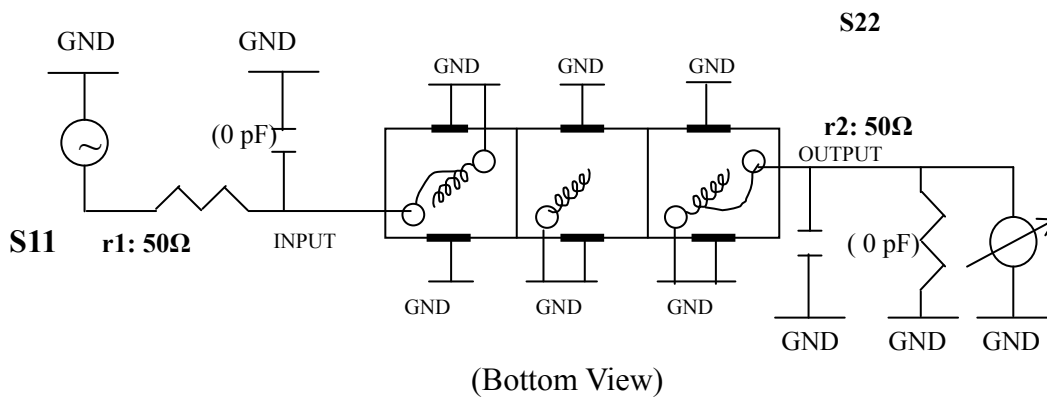
VHF UHF Helical Filter Specification Sheet

Customer Name		Temwell's Part No.	TTL63205F-859M
Approval No. /dated	0701126APR	Acceptable Specify Fo Range.	831~860MHz
Work Instruction No.	0701126DC	Date	Jan.25.2007



Item		Specify	Performance
Center Freq.(Fo) +/- 0.5 %		859 MHz	859 MHz
Tunable Range:		859±10 MHz	859±10 MHz
Insertion Loss		Typ. 5.5 dB	4.67 dB
-3 dB Bandwidth		Typ. 8 MHz	12.3 MHz
Sensitivity (Attenuation)	Fo - 20 MHz	Typ. 22 dBc	25 dBc
	Fo + 20 MHz	Typ. 17 dBc	20 dBc
	Fo - ()MHz	Typ. dBc	dBc
	Fo + ()MHz	Typ. dBc	dBc
Return Loss		Min. 12 dB	28.7 dB
Ripple		< 1 dB	dB
Impedance		In / Out : 75 Ω	In / Out : 75 Ω
(4) Torque for Tuning Screw		> 100gf · cm	
(5) Temperature Condition:			
Operating Temperature		0°C ~ +60°C	
Storage Temperature		20°C ~ +70°C	
(6) Input Power		> 1Watt	

(7) Measuring Circuit: ※Easy to match Impedance S11/S22 75Ω by parallel with about(0 pF) / (0 pF).

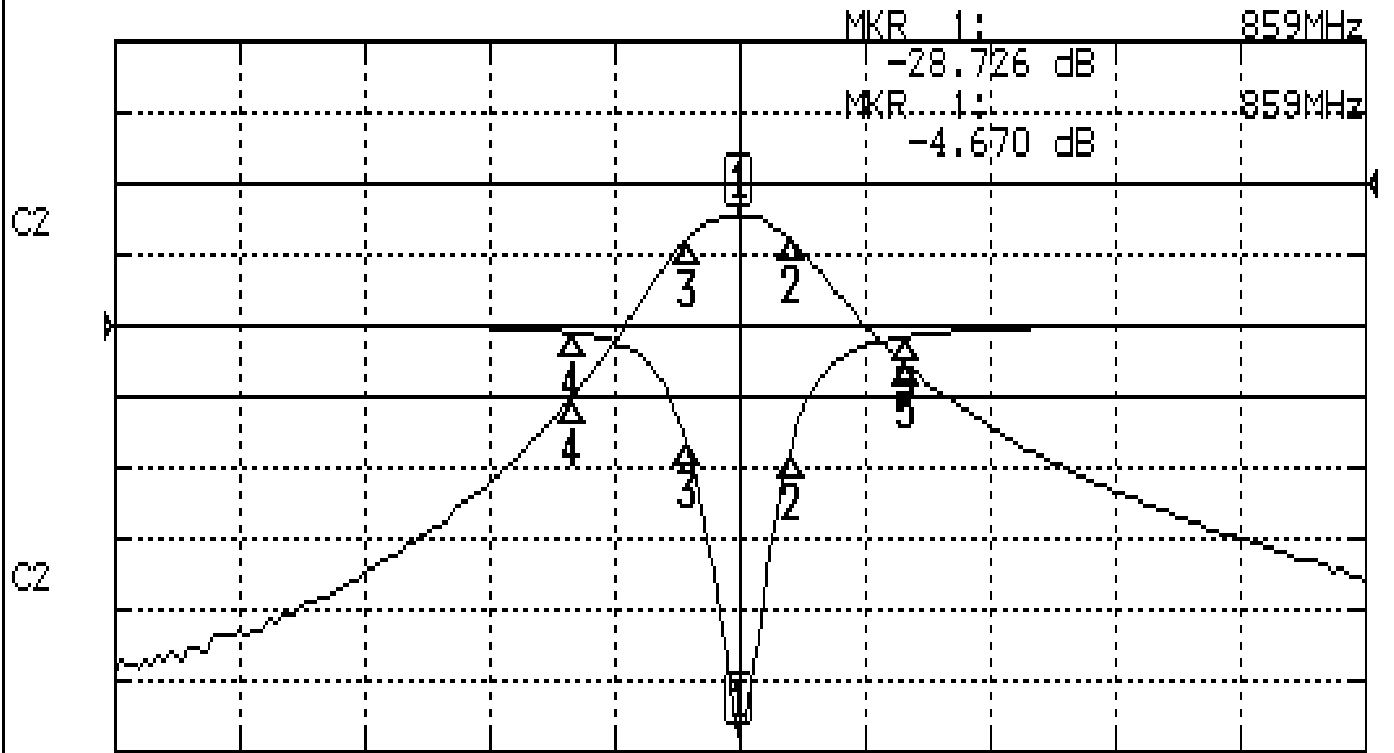


Approval	Supervisor	Designer	Aperture size
C.Y.Chang	C.S.Chang	P.H.Chiang	7H3(4*4.5F) 7H046LB4 聚 3
TEMWELL CORPORATION			

Performance-TTL63205F-859M

0701126DC

CH1 S11 LOG MAG REF 0.000 dB 5.000 dB/
CH2 S21 LOG MAG REF 0.000 dB 10.000 dB/



CENTER 859MHz

[10.00 dBm]

SPAN 150MHz

CH1 MARKER LIST

Marker	Frequency (MHz)	Amplitude (dB)
1	859.000	-28.747
2	865.000	-9.025
3	852.750	-8.442
4	839.000	-0.528
5	879.000	-0.763

CH2 MARKER LIST

Marker	Frequency (MHz)	Amplitude (dB)
1	859.000	-4.670
2	865.000	-7.650
3	852.750	-7.640
4	839.000	-29.960
5	879.000	-25.531