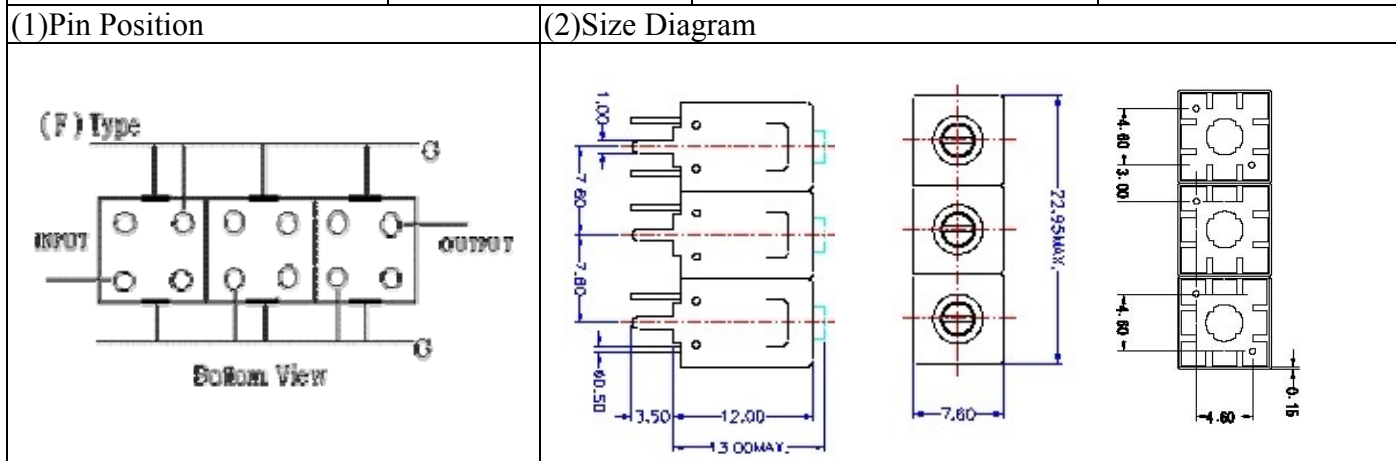


VHF UHF Helical Filter Specification Sheet

Customer Name		Temwell's Part No.	TTL63203F-843M
Approval No. /dated	0701124APR	Acceptable Specify Fo Range.	831~860MHz
Work Instruction No.	0701124DC	Date	Jan.24.2007



(3) Electric Charasteric

Item	Specify	Performance	
Center Freq.(Fo) +/- 0.5 %	843 MHz	843 MHz	
Tunable Range:	843±10 MHz	843±10 MHz	
Insertion Loss	Typ. 5.5 dB	4.34 dB	
-3 dB Bandwidth	Typ. 8 MHz	12.8 MHz	
Sensitivity (Attenuation)	Fo - 20 MHz	Typ. 23 dBc	26 dBc
	Fo + 20 MHz	Typ. 19 dBc	22 dBc
	Fo - ()MHz	Typ. dBc	dBc
	Fo +()MHz	Typ. dBc	dBc
Return Loss	Min. 12 dB	16.2 dB	
Ripple	< 1 dB	dB	
Impedance	In / Out : 75 Ω	In / Out : 75 Ω	

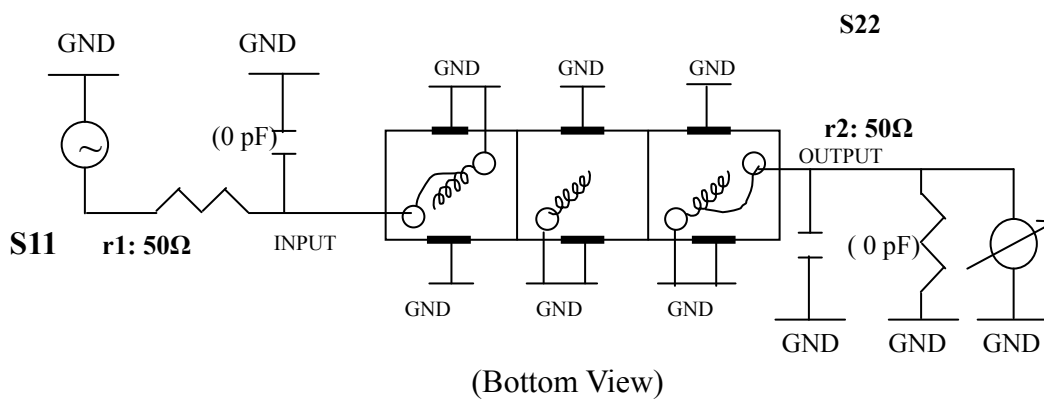
(4) Torque for Tuning Screw > 100gf · cm

(5) Temperature Condition:

Operating Temperature	0°C ~ +60°C
Storage Temperature	20°C ~ +70°C

(6) Input Power > 1Watt

(7) Measuring Circuit: ※Easy to match Impedance S11/S22 75Ω by parallel with about(0 pF) / (0 pF).

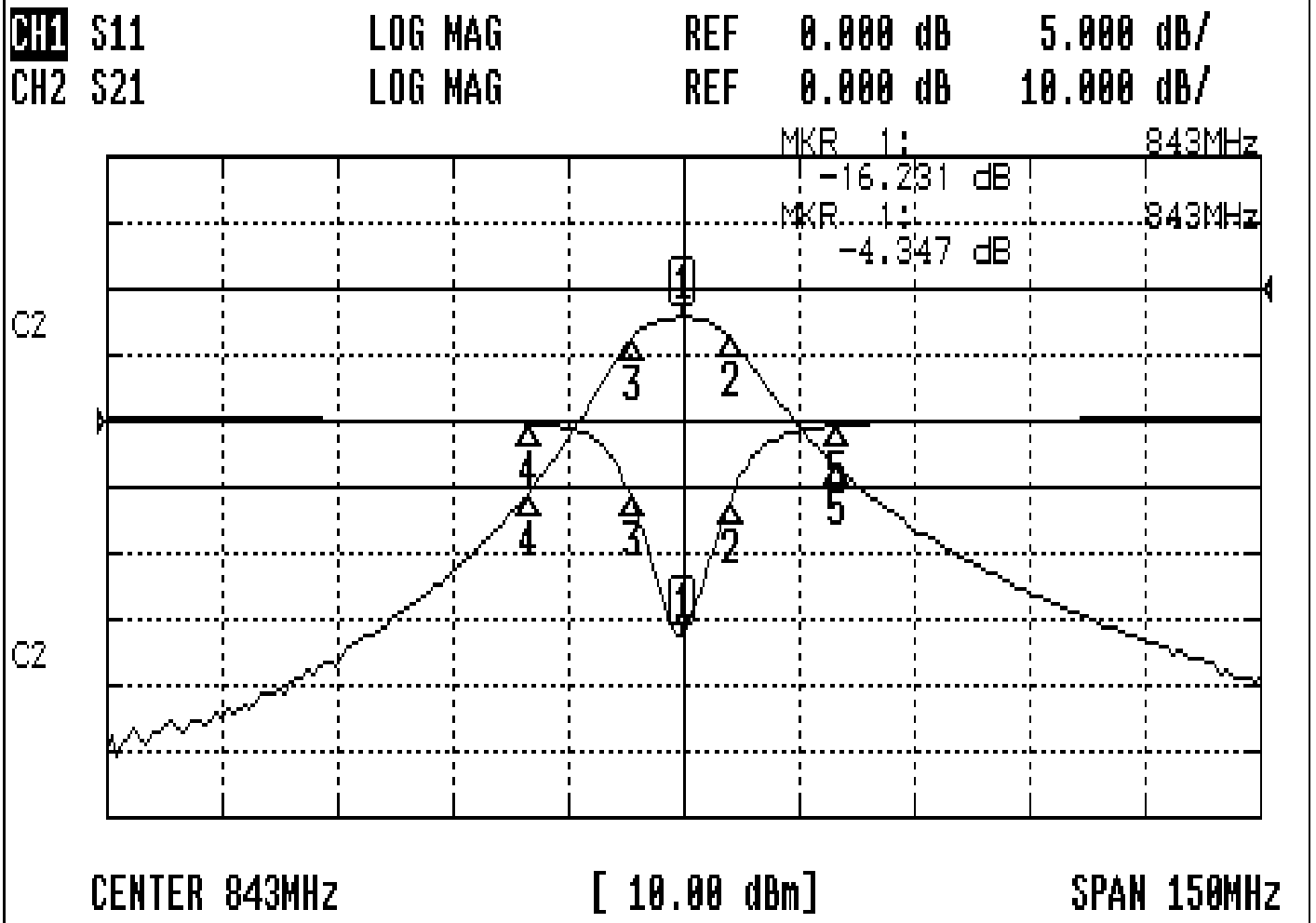


Approval	Supervisor	Designer	Aperture size
C.Y.Chang	C.S.Chang	P.H.Chiang	7H3(4*4.5F) 7H046LB4 聚 3

TEMWELL CORPORATION

Performance-TTL63203F-843M

0701124DC



CH1 MARKER LIST

1:	843.000MHz	-16.214 dB
2:	849.125MHz	-6.108 dB
3:	836.375MHz	-5.897 dB
4:	823.000MHz	-0.172 dB
5:	863.000MHz	-0.323 dB
6:		
7:		
8:		
9:		
10:		

CH2 MARKER LIST

1:	843.000MHz	-4.347 dB
2:	849.125MHz	-7.413 dB
3:	836.375MHz	-7.442 dB
4:	823.000MHz	-30.725 dB
5:	863.000MHz	-26.903 dB
6:		
7:		
8:		
9:		
10:		