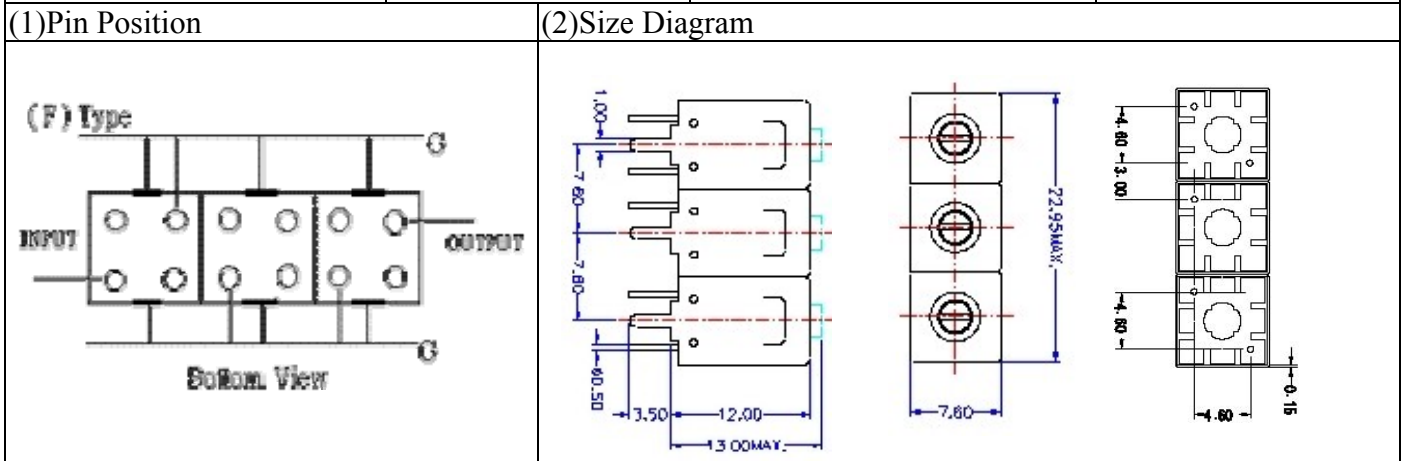


# VHF UHF Helical Filter Specification Sheet

|                      |            |                              |                |
|----------------------|------------|------------------------------|----------------|
| Customer Name        |            | Temwell's Part No.           | TTL63202F-835M |
| Approval No. /dated  | 0701123APR | Acceptable Specify Fo Range. | 831~860MHz     |
| Work Instruction No. | 0701123DC  | Date                         | Jan.24.2007    |



(3) Electric Chararistic

| Item                         | Specify         | Performance     |        |
|------------------------------|-----------------|-----------------|--------|
| Center Freq.(Fo) +/- 0.5 %   | 835 MHz         | 835 MHz         |        |
| Tunable Range:               | 835±10 MHz      | 835±10 MHz      |        |
| Insertion Loss               | Typ. 5.5 dB     | 4.60 dB         |        |
| -3 dB Bandwidth              | Typ. 8 MHz      | 12.6 MHz        |        |
| Sensitivity<br>(Attenuation) | Fo - 20 MHz     | Typ. 25 dBc     | 28 dBc |
|                              | Fo + 20 MHz     | Typ. 20 dBc     | 23 dBc |
|                              | Fo - ( )MHz     | Typ. dBc        | dBc    |
|                              | Fo +( )MHz      | Typ. dBc        | dBc    |
| Return Loss                  | Min. 12 dB      | 19.9 dB         |        |
| Ripple                       | < 1 dB          | dB              |        |
| Impedance                    | In / Out : 75 Ω | In / Out : 75 Ω |        |

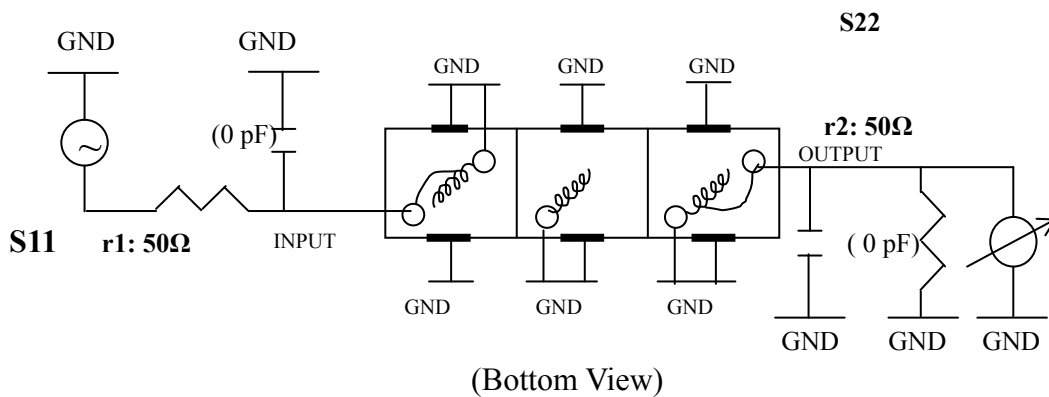
(4) Torque for Tuning Screw > 100gf · cm

(5) Temperature Condition:

|                       |              |
|-----------------------|--------------|
| Operating Temperature | 0°C ~ +60°C  |
| Storage Temperature   | 20°C ~ +70°C |

(6) Input Power > 1Watt

(7) Measuring Circuit: ※Easy to match Impedance S11/S22 75Ω by parallel with about( 0 pF) / ( 0 pF).

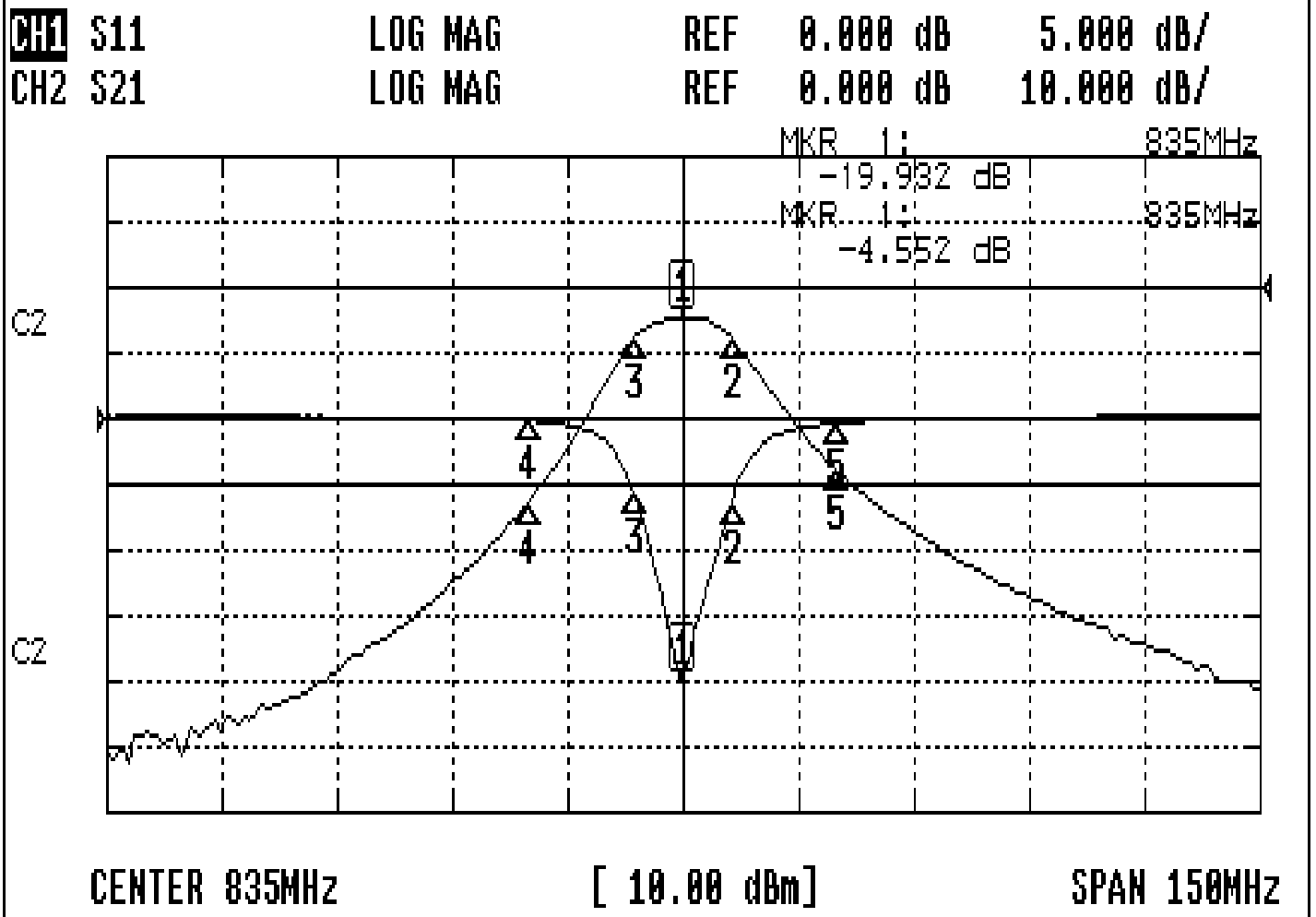


|           |            |            |                         |
|-----------|------------|------------|-------------------------|
| Approval  | Supervisor | Designer   | Aperture size           |
| C.Y.Chang | C.S.Chang  | P.H.Chiang | 7H3(4*4.5F)<br>7H046LB4 |

TEMWELL CORPORATION

# Performance-TTL63202F-835M

## 0701123DC



### CH1 MARKER LIST

|    |            |            |
|----|------------|------------|
| 1: | 835.000MHz | -19.932 dB |
| 2: | 841.375MHz | -6.371 dB  |
| 3: | 828.750MHz | -5.824 dB  |
| 4: | 815.000MHz | -0.120 dB  |
| 5: | 855.000MHz | -0.303 dB  |

### CH2 MARKER LIST

|    |            |            |
|----|------------|------------|
| 1: | 835.000MHz | -4.606 dB  |
| 2: | 841.375MHz | -7.647 dB  |
| 3: | 828.750MHz | -7.761 dB  |
| 4: | 815.000MHz | -32.651 dB |
| 5: | 855.000MHz | -27.817 dB |