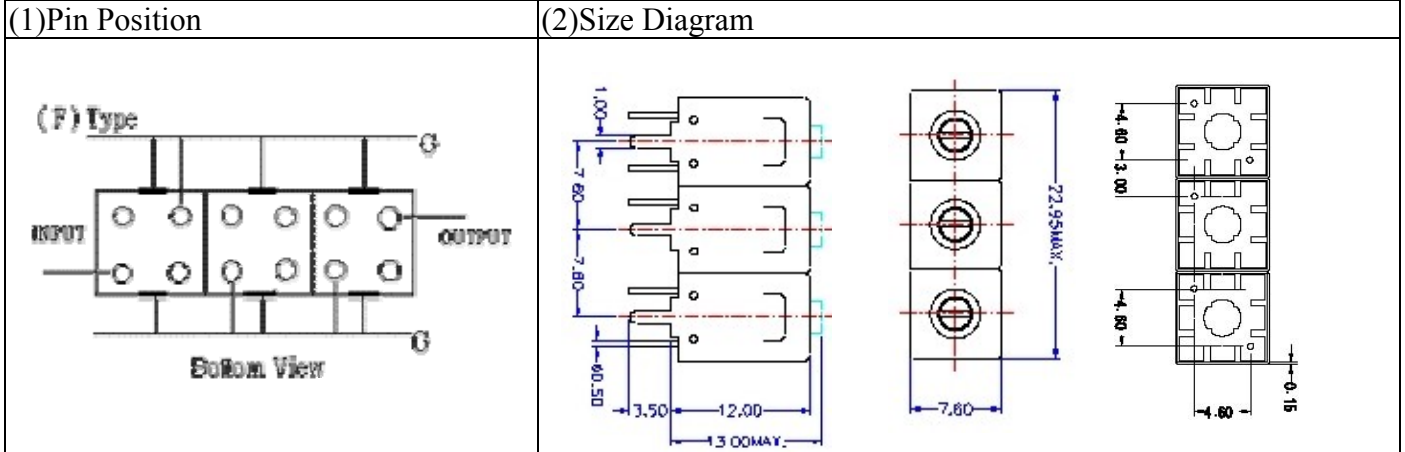


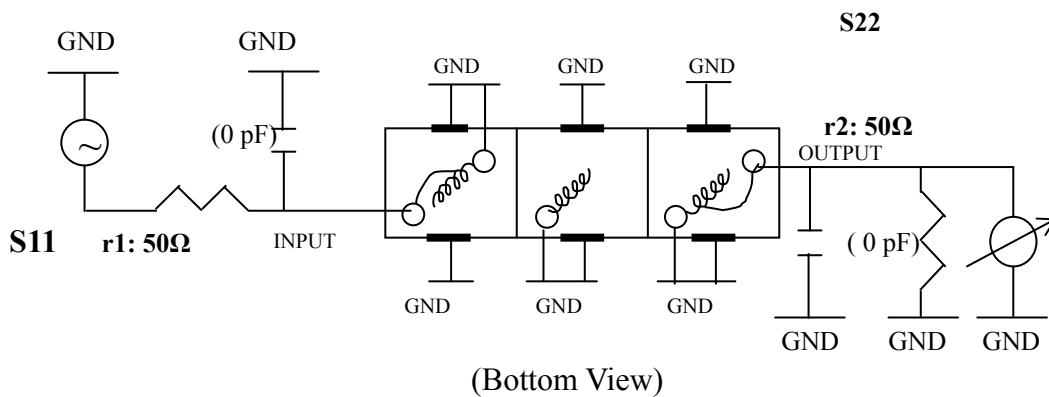
VHF UHF Helical Filter Specification Sheet

Customer Name		Temwell's Part No.	TTL63201F-827M
Approval No. /dated	0701122APR	Acceptable Specify Fo Range.	801~830MHz
Work Instruction No.	0701122DC	Date	Jan.24.2007



(3) Electric Characteristic			
Item	Specify	Performance	
Center Freq.(Fo) +/- 0.5 %	827 MHz	827 MHz	
Tunable Range:	827±10 MHz	827±10 MHz	
Insertion Loss	Typ. 6.5 dB	5.52 dB	
-3 dB Bandwidth	Typ. 6 MHz	10.0 MHz	
Sensitivity (Attenuation)	Fo - 20 MHz	Typ. 30 dBc	33 dBc
	Fo + 20 MHz	Typ. 23 dBc	26 dBc
	Fo - ()MHz	Typ. dBc	dBc
	Fo +()MHz	Typ. dBc	dBc
Return Loss	Min. 12 dB	21.4 dB	
Ripple	< 1 dB	dB	
Impedance	In / Out : 75 Ω	In / Out : 75 Ω	
(4) Torque for Tuning Screw			
		> 100gf • cm	
(5) Temperature Condition:			
Operating Temperature		0°C ~ +60°C	
Storage Temperature		20°C ~ +70°C	
(6) Input Power		> 1Watt	

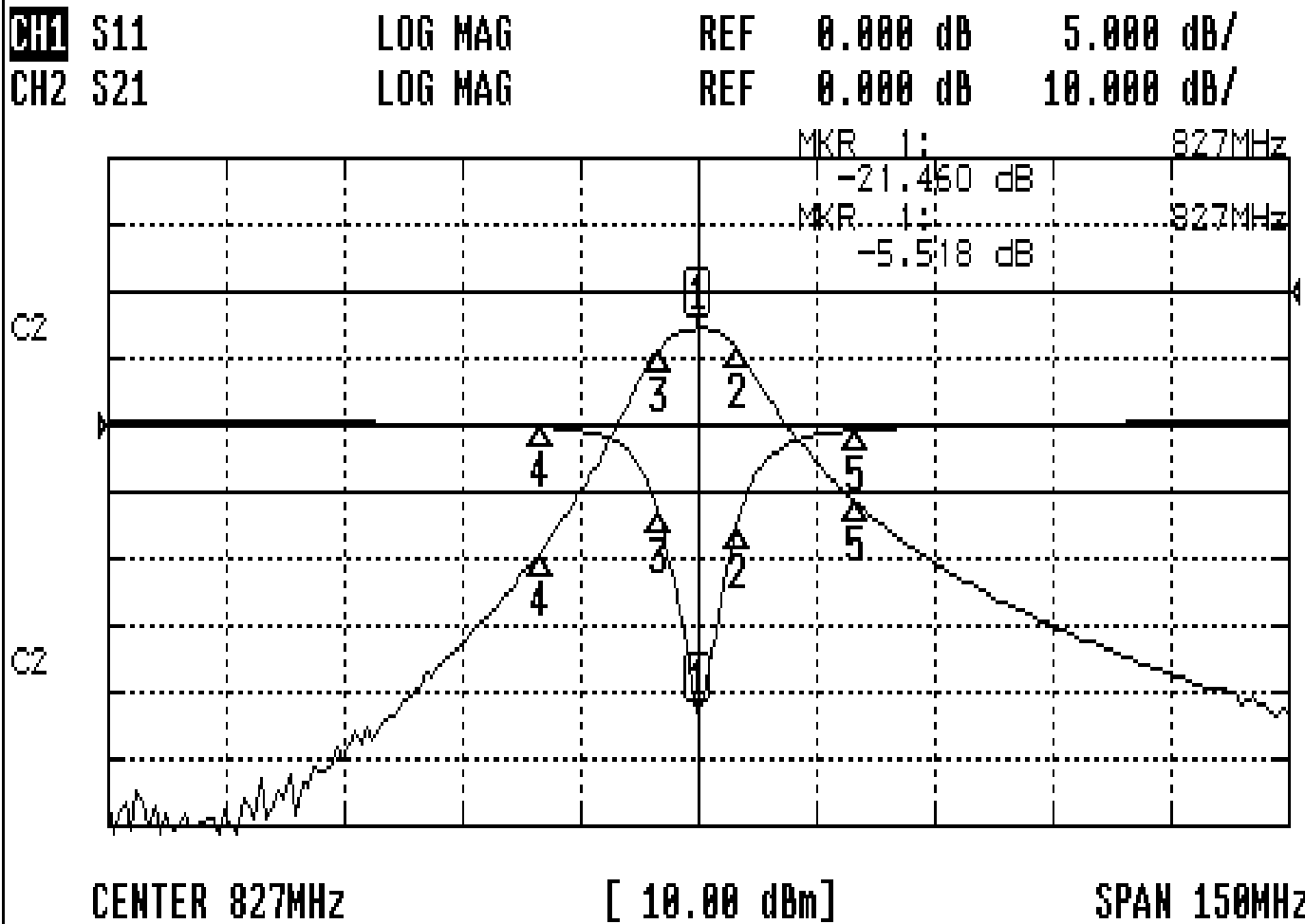
(7) Measuring Circuit: ※Easy to match Impedance S11/S22 75Ω by parallel with about(0 pF) / (0 pF).



Approval	Supervisor	Designer	Aperture size
C.Y.Chang	C.S.Chang	P.H.Chiang	7H3(4*4.5F) 7H046LB4 聚 3
TEMWELL CORPORATION			

Performance-TTL63201F-827M

0701122DC



CH1 MARKER LIST

1:	827.000MHz	-21.460	dB
2:	832.000MHz	-7.483	dB
3:	822.000MHz	-6.674	dB
4:	807.000MHz	-0.089	dB
5:	847.000MHz	-0.336	dB
6:			
7:			
8:			
9:			
10:			

CH2 MARKER LIST

1:	827.000MHz	-5.524	dB
2:	832.000MHz	-1.656	dB
3:	822.000MHz	-1.647	dB
4:	807.000MHz	-3.896	dB
5:	847.000MHz	-31.539	dB
6:			
7:			
8:			
9:			
10:			