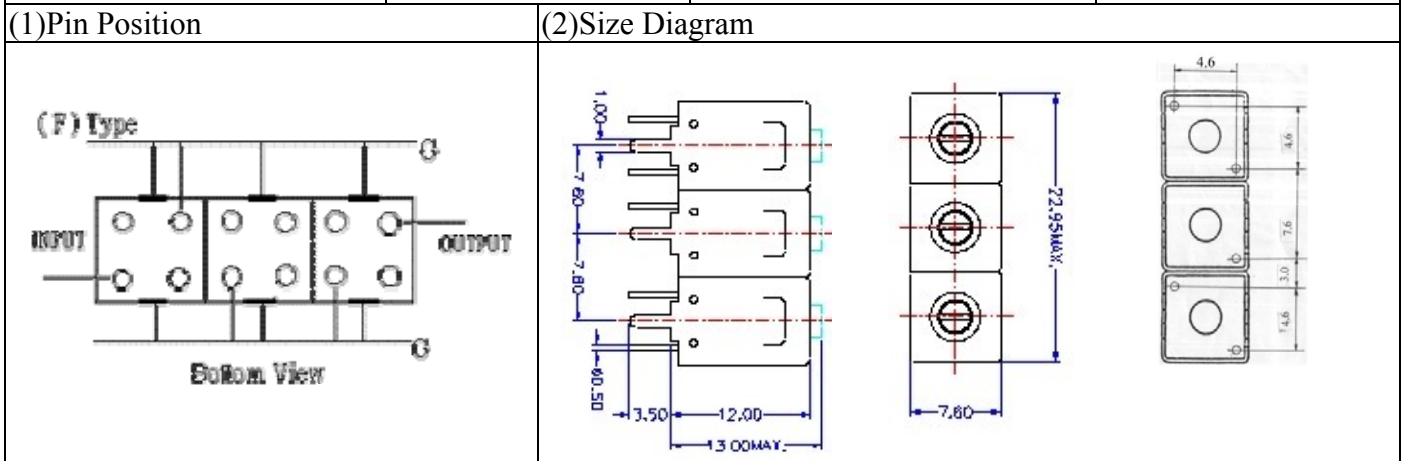


VHF UHF Helical Filter Specification Sheet

Customer Name		Temwell's Part No.	TTL6319F-507.25M
Approval No. /dated	0611044APR	Acceptable Specify Fo Range	456~515 MHz
Work Instruction No.	0611044DC	Date	Nov.23.2006



(3) Electric Chararistic

Item	Specify	Performance	
Center Freq.(Fo) +/- 0.5 %	507.25 MHz	507.25 MHz	
Tunable Range	507.25±5 MHz	507.25±5 MHz	
Insertion Loss	Typ. 6.0 dB	4.95 dB	
-3 dB Bandwidth	Typ. 6 MHz	8.5 MHz	
Sensitivity (Attenuation)	Fo - 15 MHz	Typ. 34 dB	37 dB
	Fo + 15 MHz	Typ. 27 dB	30 dB
	Fo - ()MHz	Typ. dB	dB
	Fo +()MHz	Typ. dB	dB
Return Loss	Min. 12 dB	25.7 dB	
Ripple	< 1 dB	dB	
Impedance	In / Out : 75 Ω	In / Out : 75 Ω	

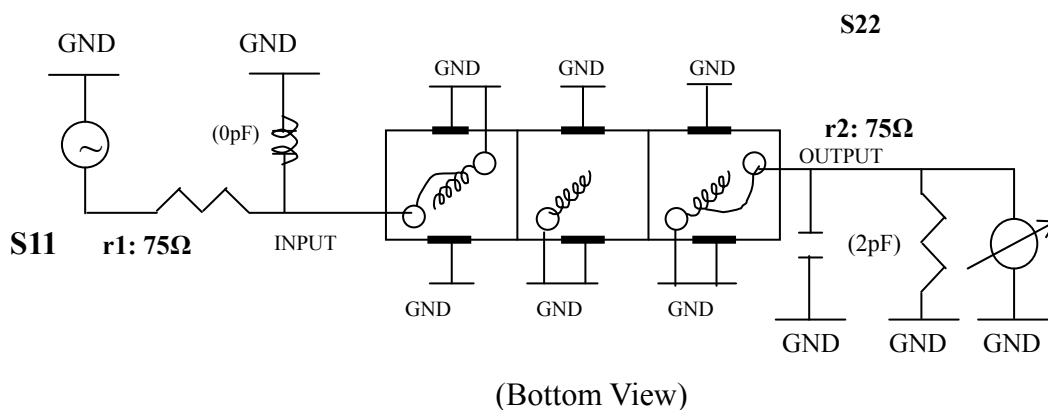
(4) Torque for Tuning Screw > 100gf · cm

(5) Temperature Condition:

Operating Temperature	-0°C ~ +60°C
Storage Temperature	-20°C ~ +70°C

(6) Input Power > 1Watt

(7) Measuring Circuit: ※Easy to match Impedance S11/S22 75Ω by parallel with about(0pF)/(2pF).

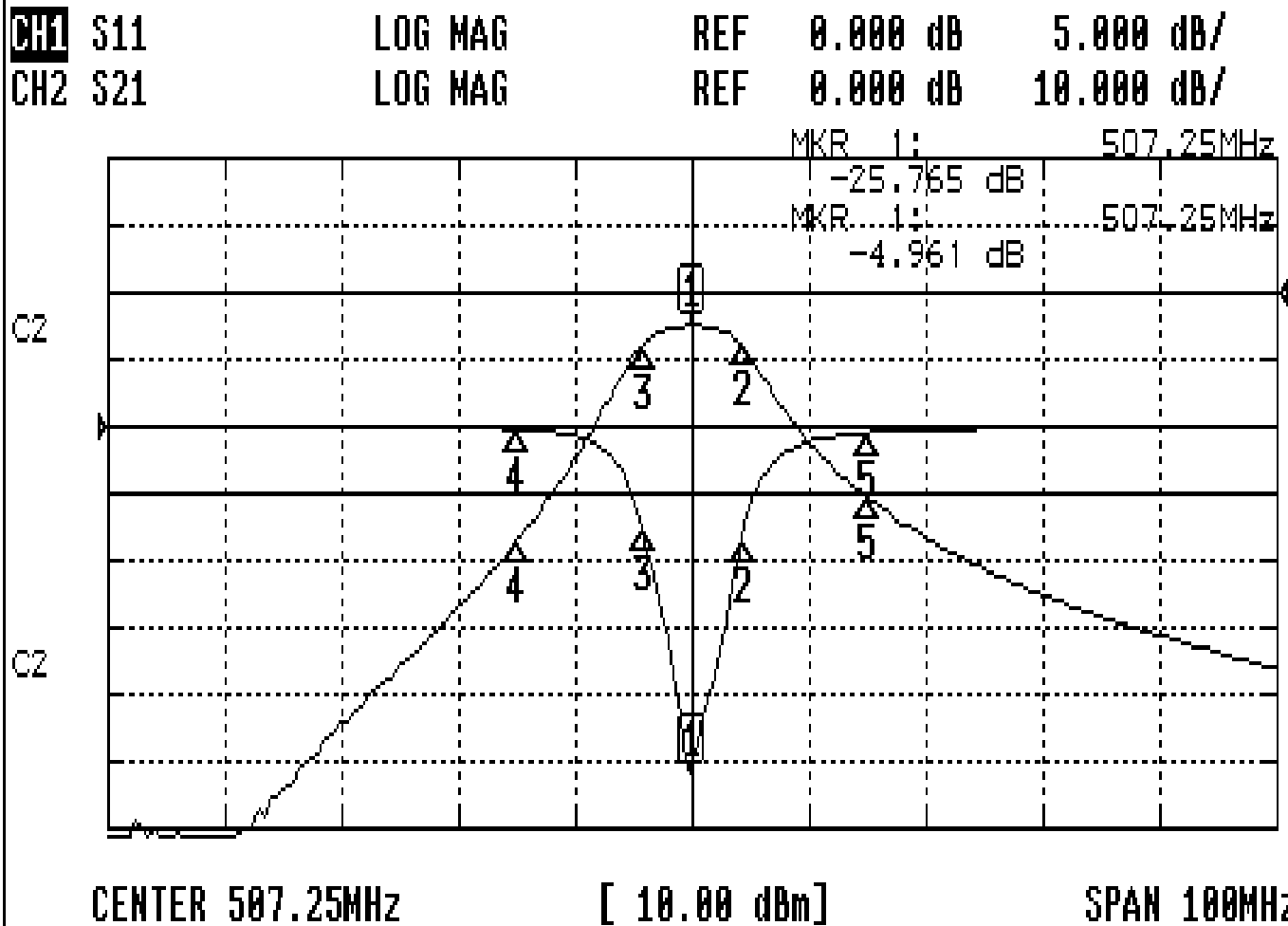


Approval	Supervisor	Designer	Aperture size
C.Y.Chang	C.S.Chang	C.S.Chang	7H3(4*4.65)F 7H046LB4 聚 3

TEMWELL CORPORATION

Performance-TTL6319F-507.25M

0611044DC



CH1 MARKER LIST

1:	507.250MHz	-25.765	dB
2:	511.500MHz	-8.402	dB
3:	503.000MHz	-7.650	dB
4:	492.250MHz	-0.196	dB
5:	522.250MHz	-0.465	dB
6:			
7:			
8:			
9:			
10:			

CH2 MARKER LIST

1:	507.250MHz	-4.965	dB
2:	511.500MHz	-7.998	dB
3:	503.000MHz	-7.880	dB
4:	492.250MHz	-37.172	dB
5:	522.250MHz	-30.627	dB
6:			
7:			
8:			
9:			
10:			