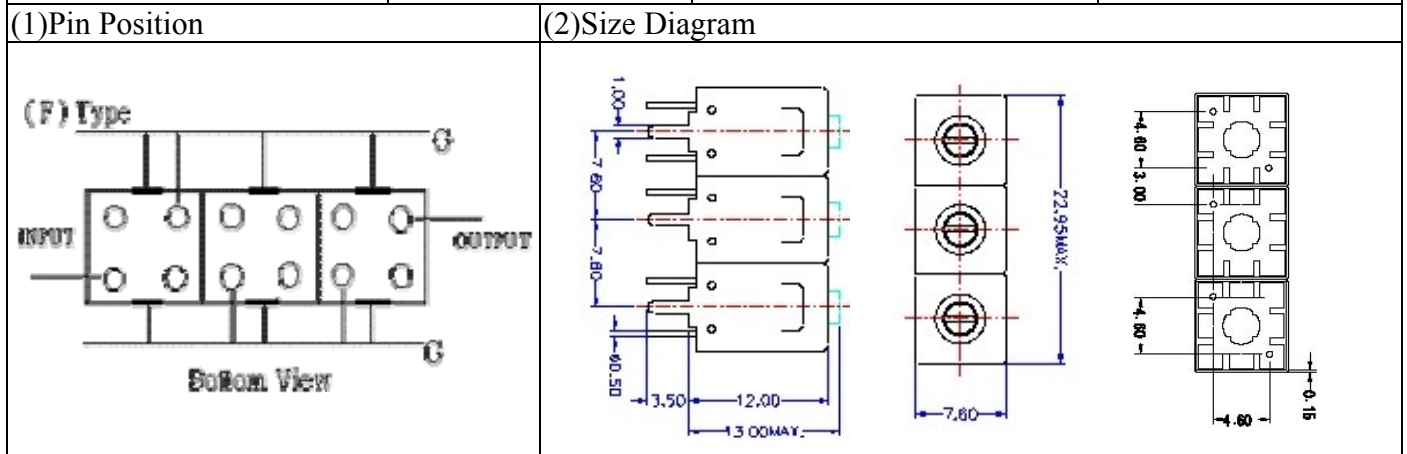


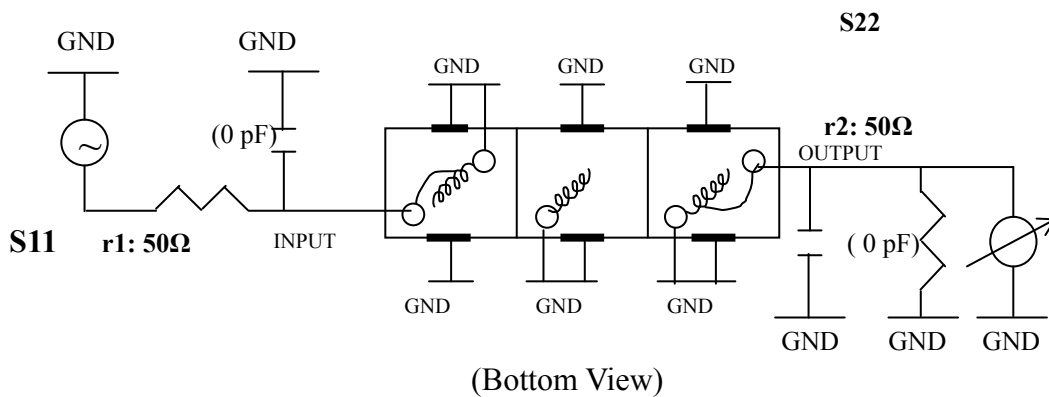
VHF UHF Helical Filter Specification Sheet

Customer Name		Temwell's Part No.	TTL63199F-811M
Approval No. /dated	0701120APR	Acceptable Specify Fo Range.	801~830MHz
Work Instruction No.	0701120DC	Date	Jan.24.2007



(3) Electric Characteristic			
Item		Specify	Performance
Center Freq.(Fo) +/- 0.5 %		811 MHz	811 MHz
Tunable Range:		811±10 MHz	811±10 MHz
Insertion Loss		Typ. 5.0 dB	3.94 dB
-3 dB Bandwidth		Typ. 8 MHz	11.9 MHz
Sensitivity (Attenuation)	Fo - 20 MHz	Typ. 24 dBc	27 dBc
	Fo + 20 MHz	Typ. 20 dBc	23 dBc
	Fo - ()MHz	Typ. dBc	dBc
	Fo +()MHz	Typ. dBc	dBc
Return Loss		Min. 12 dB	16.4 dB
Ripple		< 1 dB	dB
Impedance		In / Out : 75 Ω	In / Out : 75 Ω
(4) Torque for Tuning Screw		> 100gf • cm	
(5) Temperature Condition:			
Operating Temperature		0°C ~ +60°C	
Storage Temperature		20°C ~ +70°C	
(6) Input Power		> 1Watt	

(7) Measuring Circuit: ※Easy to match Impedance S11/S22 75Ω by parallel with about(0 pF) / (0 pF).



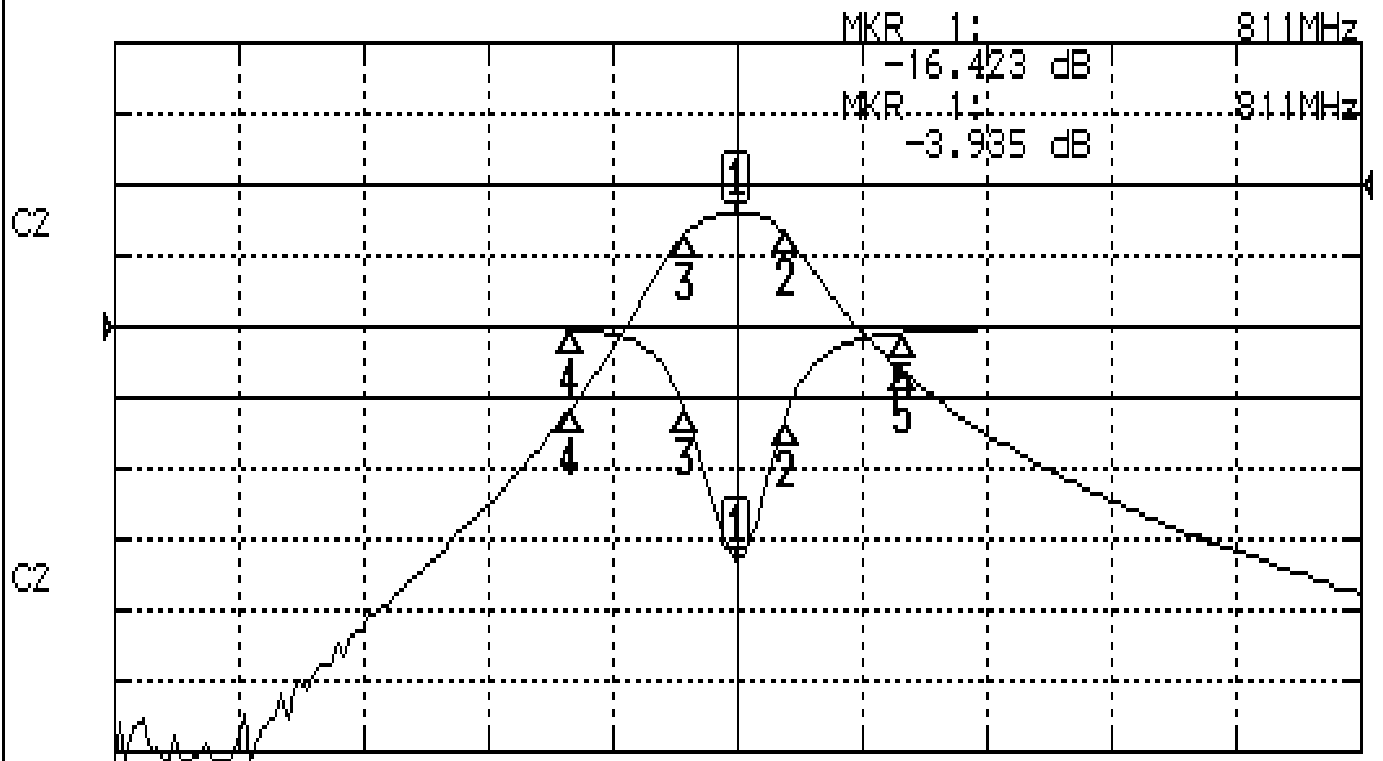
Approval	Supervisor	Designer	Aperture size
C.Y.Chang	C.S.Chang	P.H.Chiang	7H3(4*4.65F) 7H046LB4 聚 3

TEMWELL CORPORATION

Performance-TTL63199F-811M

0701120DC

CH1 S11 LOG MAG REF 0.000 dB 5.000 dB/
CH2 S21 LOG MAG REF 0.000 dB 10.000 dB/



CENTER 811MHz

[10.00 dBm]

SPAN 150MHz

CH1 MARKER LIST

1:	811.000MHz	-16.423	dB
2:	816.750MHz	-16.685	dB
3:	804.875MHz	-16.098	dB
4:	791.000MHz	-0.174	dB
5:	831.000MHz	-0.433	dB
6:			
7:			
8:			
9:			
10:			

CH2 MARKER LIST

1:	811.000MHz	-3.940	dB
2:	816.750MHz	-6.841	dB
3:	804.875MHz	-6.868	dB
4:	791.000MHz	-31.669	dB
5:	831.000MHz	-26.325	dB
6:			
7:			
8:			
9:			
10:			