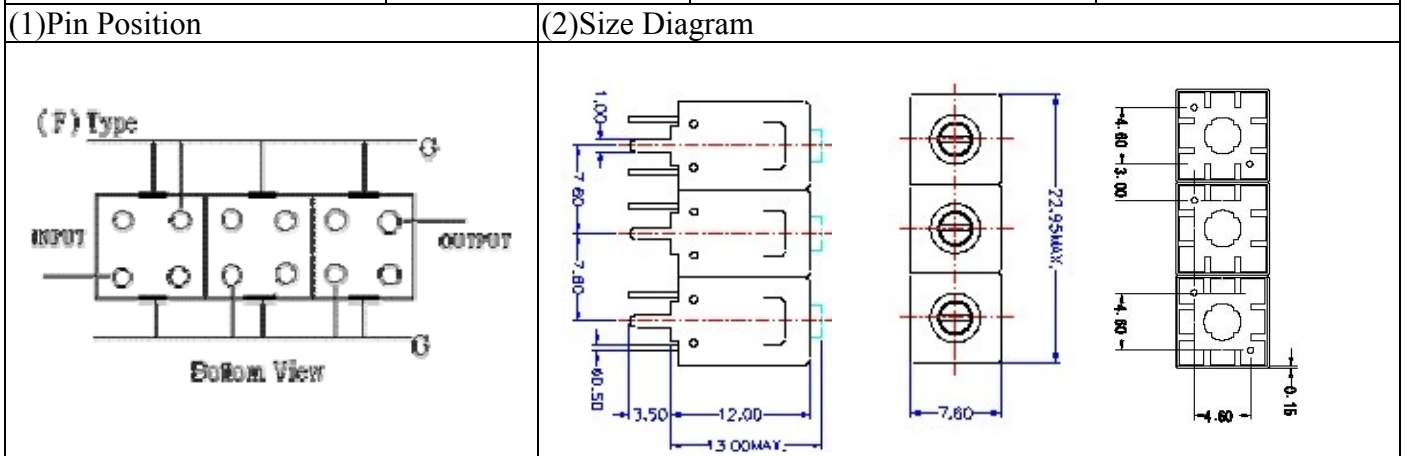


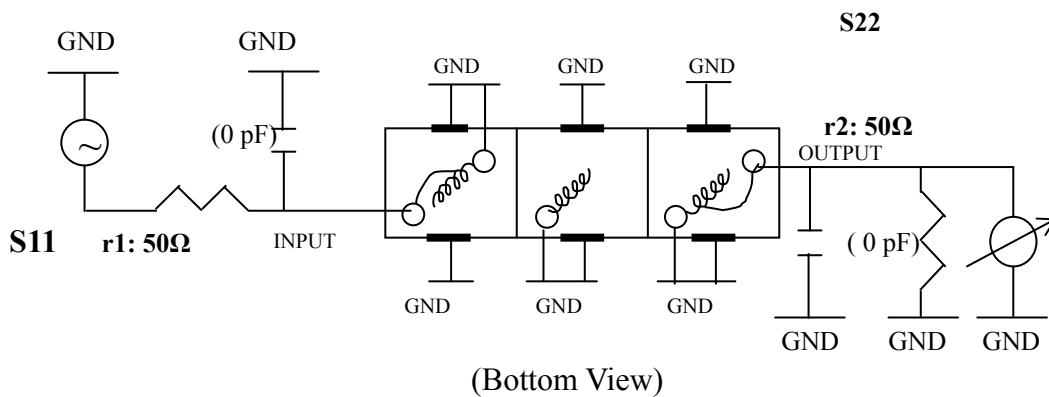
VHF UHF Helical Filter Specification Sheet

Customer Name		Temwell's Part No.	TTL63198F-803M
Approval No. /dated	0701119APR	Acceptable Specify Fo Range.	801~830MHz
Work Instruction No.	0701119DC	Date	Jan.24.2007



(3) Electric Characteristic			
Item		Specify	Performance
Center Freq.(Fo) +/- 0.5 %		803 MHz	803 MHz
Tunable Range:		803±10 MHz	803±10 MHz
Insertion Loss		Typ. 5.0 dB	4.13 dB
-3 dB Bandwidth		Typ. 8 MHz	11.8 MHz
Sensitivity (Attenuation)	Fo - 20 MHz	Typ. 22 dBc	25 dBc
	Fo + 20 MHz	Typ. 17 dBc	20 dBc
	Fo - ()MHz	Typ. dBc	dBc
	Fo +()MHz	Typ. dBc	dBc
Return Loss		Min. 12 dB	16.7 dB
Ripple		< 1 dB	dB
Impedance		In / Out : 75 Ω	In / Out : 75 Ω
(4) Torque for Tuning Screw		> 100gf • cm	
(5) Temperature Condition:			
Operating Temperature		0°C ~ +60°C	
Storage Temperature		20°C ~ +70°C	
(6) Input Power		> 1Watt	

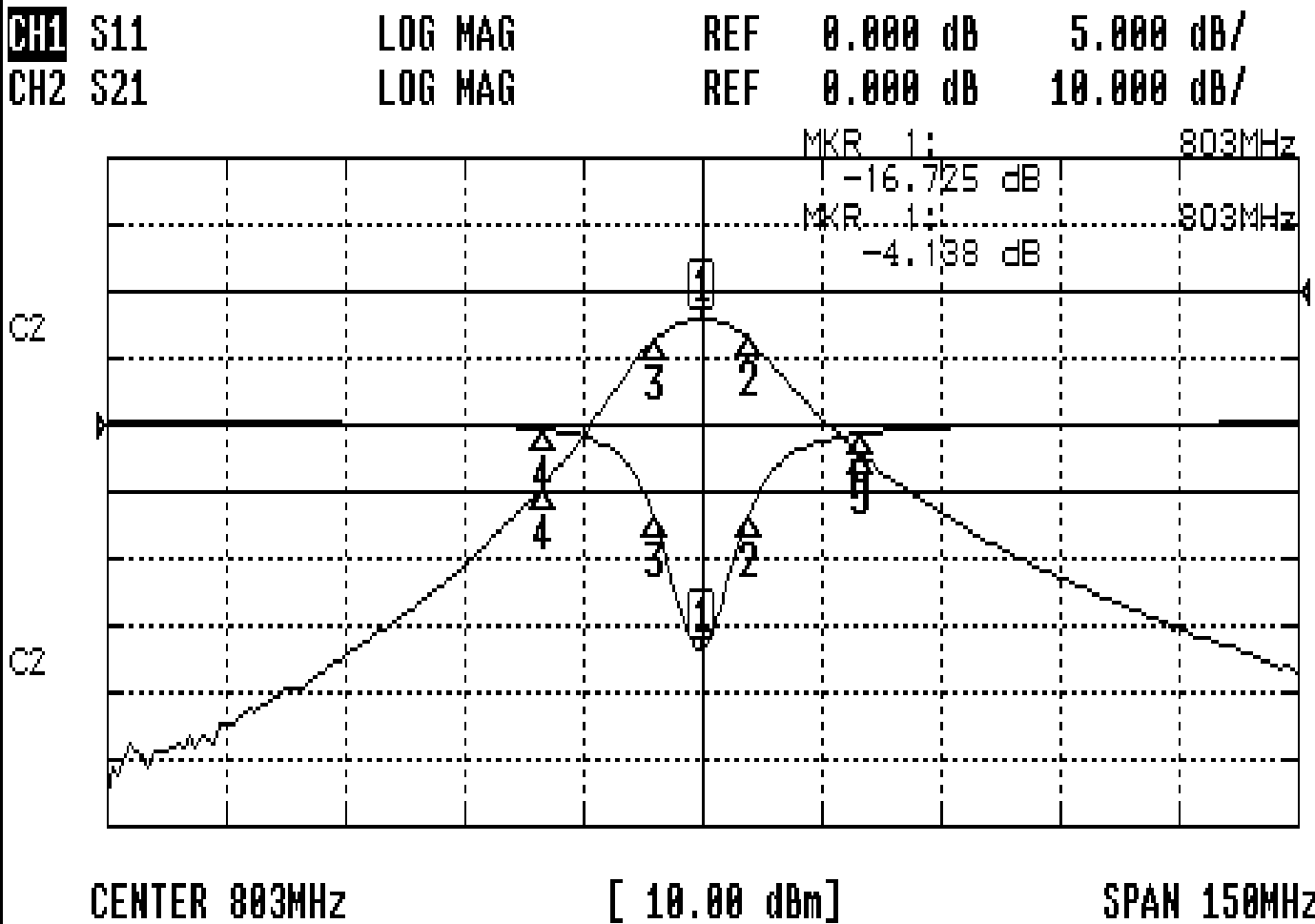
(7) Measuring Circuit: ※Easy to match Impedance S11/S22 75Ω by parallel with about(0 pF) / (0 pF).



Approval	Supervisor	Designer	Aperture size
C.Y.Chang	C.S.Chang	P.H.Chiang	7H3(4*4.65F) 7H046LB4 聚 3
TEMWELL CORPORATION			

Performance-TTL63198F-803M

070119DC



CH1 MARKER LIST

1:	803.000MHz	-16.725	dB
2:	808.875MHz	-6.694	dB
3:	797.000MHz	-6.830	dB
4:	783.000MHz	-3.227	dB
5:	823.000MHz	-0.599	dB

10

CH2 MARKER LIST

1:	803.000MHz	-4.139	dB
2:	808.875MHz	-7.164	dB
3:	797.000MHz	-7.156	dB
4:	783.000MHz	-28.948	dB
5:	823.000MHz	-24.336	dB

10