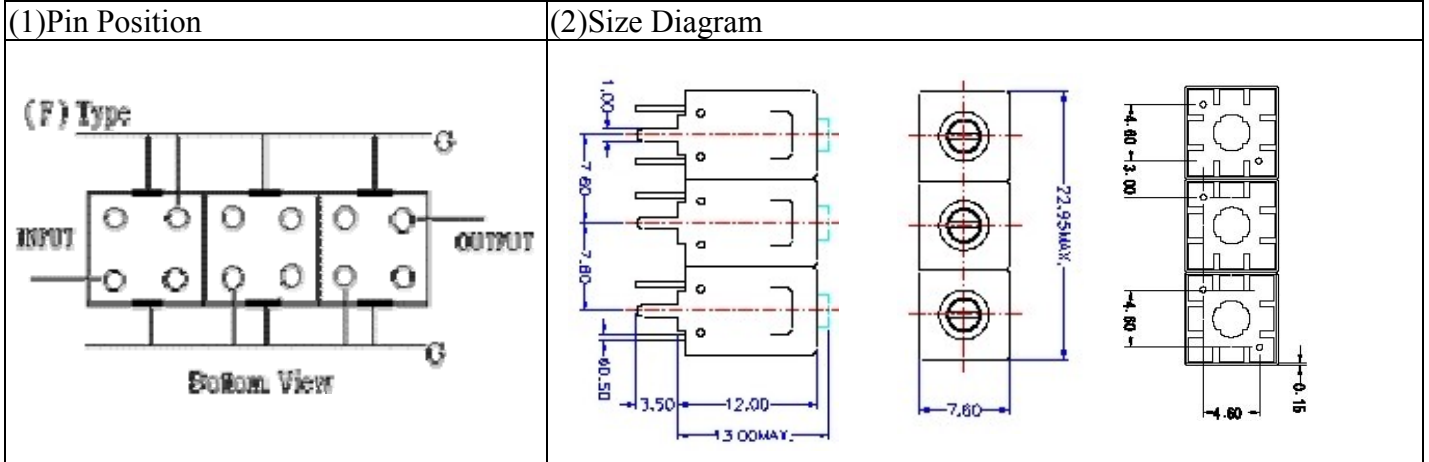


VHF UHF Helical Filter Specification Sheet

Customer Name		Temwell's Part No.	TTL63196F-787M
Approval No. /dated	0701117APR	Acceptable Specify Fo Range.	751~800MHz
Work Instruction No.	0701117DC	Date	Jan.24.2007



(3) Electric Chararctic

Item	Specify	Performance
Center Freq.(Fo) +/- 0.5 %	787 MHz	787 MHz
Tunable Range:	787±5 MHz	778±5 MHz
Insertion Loss	Typ. 5.0 dB	4.30 dB
-3 dB Bandwidth	Typ. 8 MHz	11.6 MHz
Sensitivity (Attenuation)	Fo - 20 MHz	Typ. 31 dB
	Fo + 20 MHz	Typ. 25 dB
	Fo - ()MHz	Typ. dB
	Fo + ()MHz	Typ. dB
Return Loss	Min. 12 dB	20.9 dB
Ripple	< 1 dB	dB
Impedance	In / Out : 75 Ω	In / Out : 75 Ω

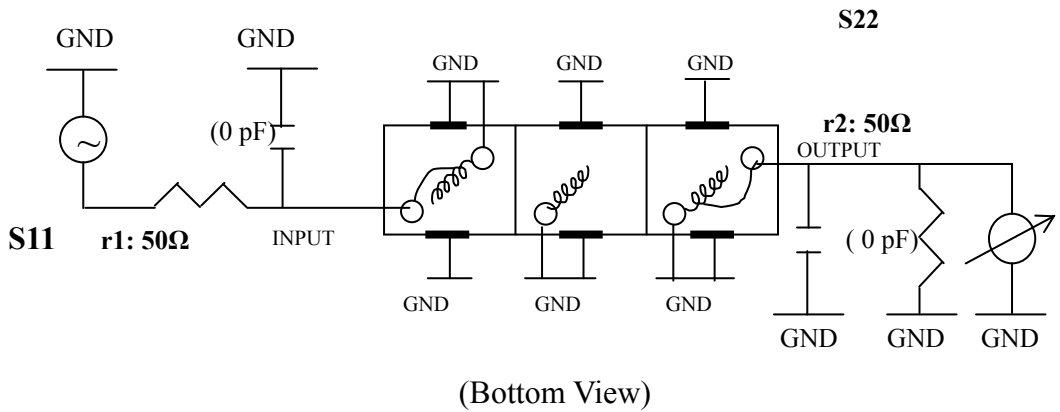
(4) Torque for Tuning Screw > 60gf · cm

(5) Temperature Condition:

Operating Temperature	0°C ~ +60°C
Storage Temperature	20°C ~ +70°C

(6) Input Power > 1 Watt

(7) Measuring Circuit: ※Easy to match Impedance S11/S22 75Ω by parallel with about(0 pF) / (0 pF).

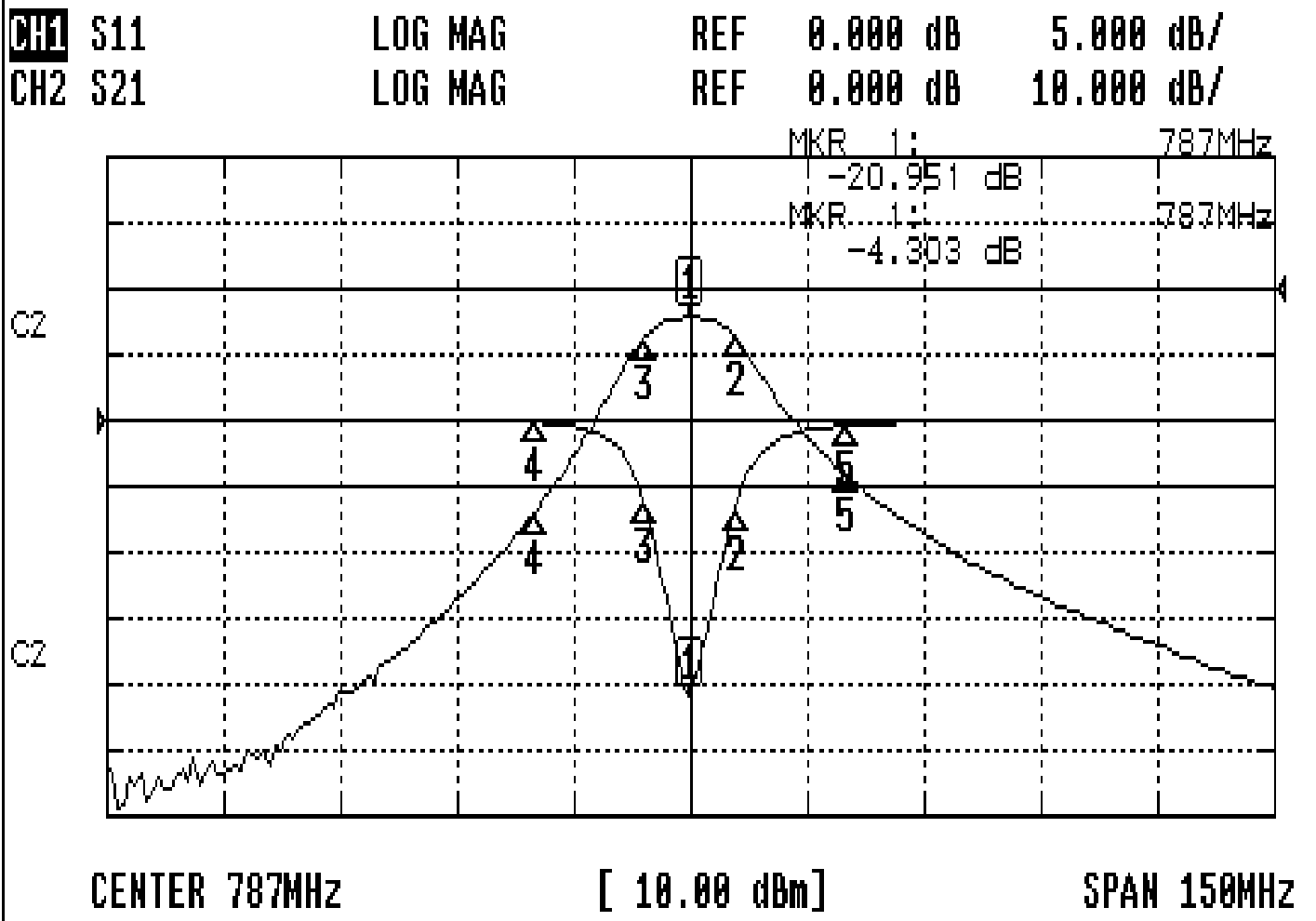


Approval	Supervisor	Designer	Aperture size
C.Y.Chang	C.S.Chang	P.H.Chiang	7H3(4*4.65F) 7H046LB4 聚 3

TEMWELL CORPORATION

Performance-TTL63196F-787M

070117DC



CH1 MARKER LIST

1:	787.000MHz	-20.951 dB
2:	792.750MHz	-6.798 dB
3:	781.125MHz	-6.359 dB
4:	767.000MHz	-0.125 dB
5:	807.000MHz	-0.344 dB

CH2 MARKER LIST

1:	787.000MHz	-4.303 dB
2:	792.750MHz	-7.343 dB
3:	781.125MHz	-7.311 dB
4:	767.000MHz	-34.016 dB
5:	807.000MHz	-28.251 dB