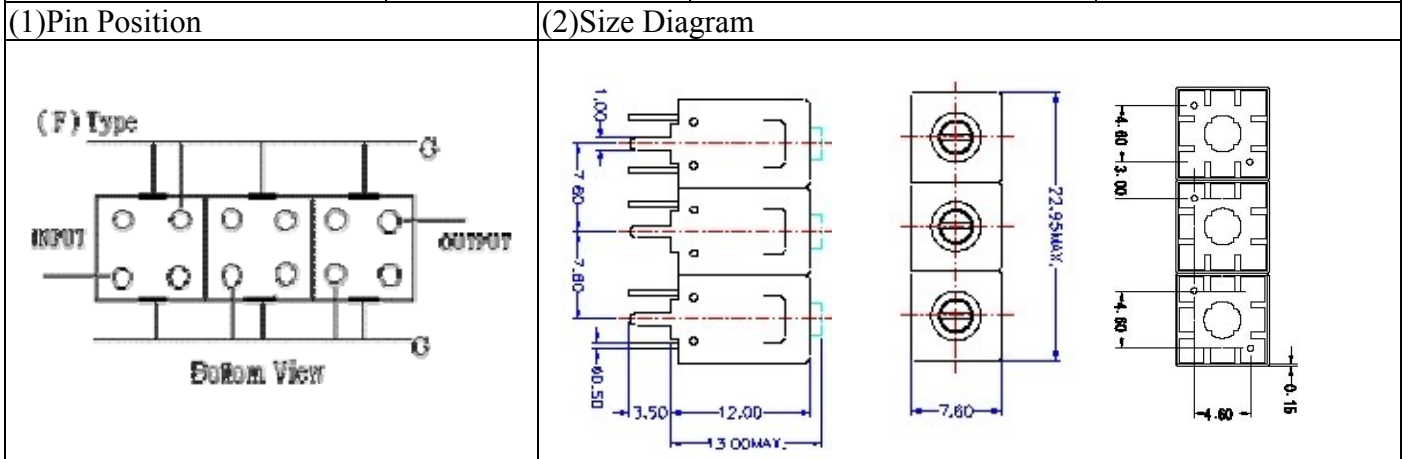


VHF UHF Helical Filter Specification Sheet

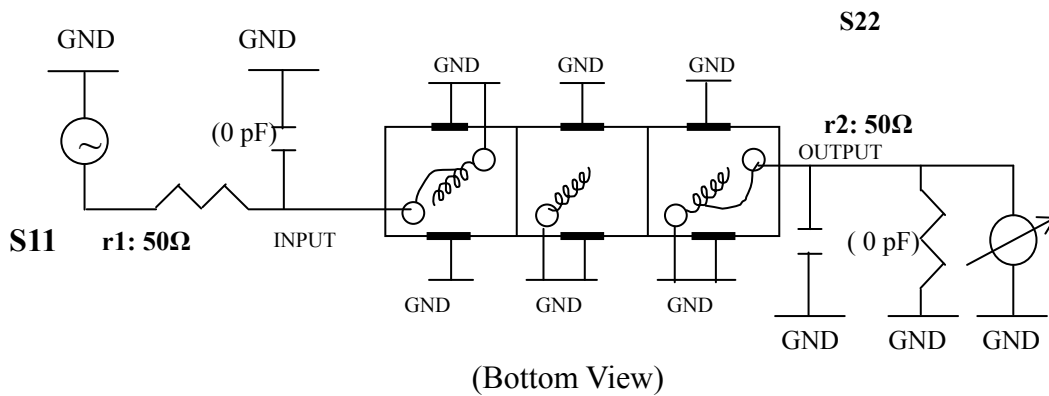
Customer Name		Temwell's Part No.	TTL63195F-779M
Approval No. /dated	0701116APR	Acceptable Specify Fo Range.	751~800MHz
Work Instruction No.	0701116DC	Date	Jan.24.2007



(3) Electric Chararistic

Item	Specify	Performance
Center Freq.(Fo) +/- 0.5 %	779 MHz	779 MHz
Tunable Range:	779±5 MHz	779±5 MHz
Insertion Loss	Typ. 5.0 dB	4.65 dB
-3 dB Bandwidth	Typ. 8 MHz	10.2 MHz
Sensitivity (Attenuation)	Fo - 20 MHz	Typ. 27 dB
	Fo + 20 MHz	Typ. 24 dB
	Fo - ()MHz	Typ. dB
	Fo +()MHz	Typ. dB
Return Loss	Min. 12 dB	36.3 dB
Ripple	< 1 dB	dB
Impedance	In / Out : 75 Ω	In / Out : 75 Ω
(4) Torque for Tuning Screw	> 60gf • cm	
(5) Temperature Condition:		
Operating Temperature	0°C ~ +60°C	
Storage Temperature	20°C ~ +70°C	
(6) Input Power	> 1Watt	

(7) Measuring Circuit: ※Easy to match Impedance S11/S22 75Ω by parallel with about(0 pF) / (0 pF).



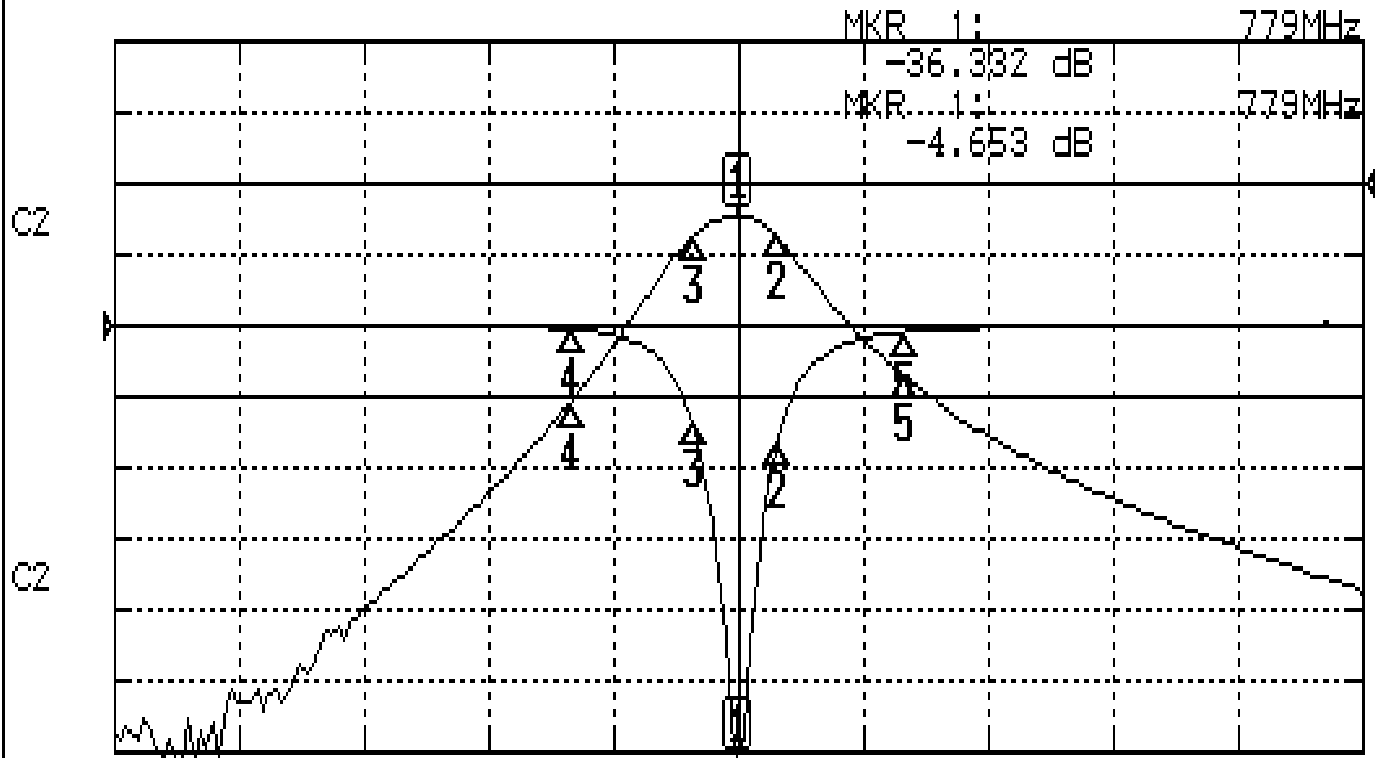
Approval	Supervisor	Designer	Aperture size
C.Y.Chang	C.S.Chang	P.H.Chiang	7H3(4*4.65F) 7H046LB4 聚 3

TEMWELL CORPORATION

Performance-TTL63195F-779M

070116DC

CH1 S11 LOG MAG REF 0.000 dB 5.000 dB/
CH2 S21 LOG MAG REF 0.000 dB 10.000 dB/



CENTER 779MHz

[10.00 dBm]

SPAN 150MHz

CH1 MARKER LIST

1:	779.000MHz	-36.332	dB
2:	783.750MHz	-8.237	dB
3:	773.500MHz	-6.766	dB
4:	759.000MHz	-0.245	dB
5:	799.000MHz	-0.445	dB

CH2 MARKER LIST

1:	779.000MHz	-4.655	dB
2:	783.750MHz	-7.623	dB
3:	773.500MHz	-7.618	dB
4:	759.000MHz	-30.522	dB
5:	799.000MHz	-27.241	dB