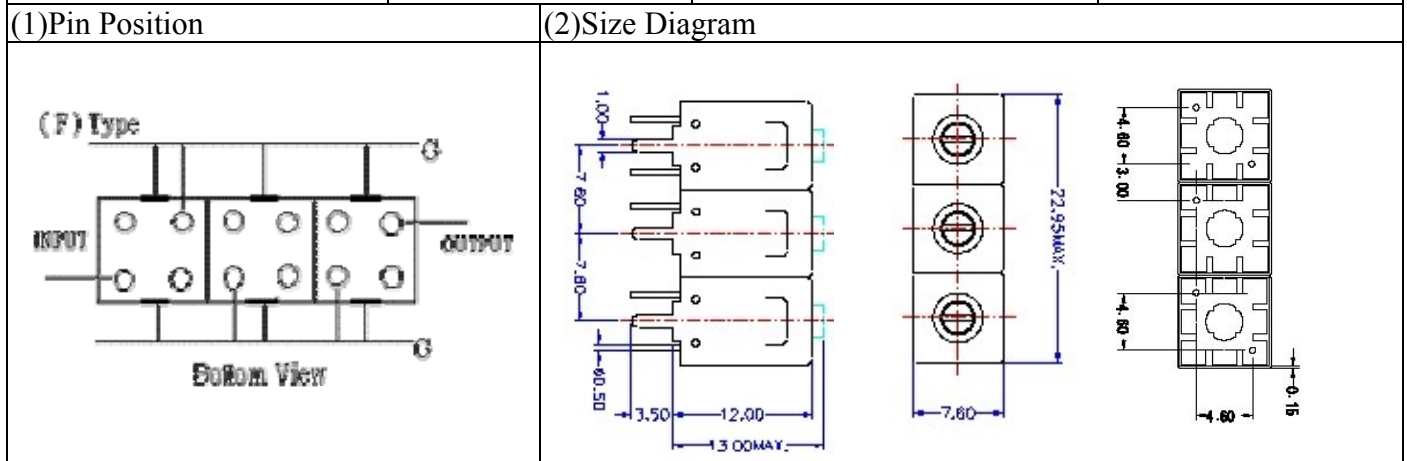


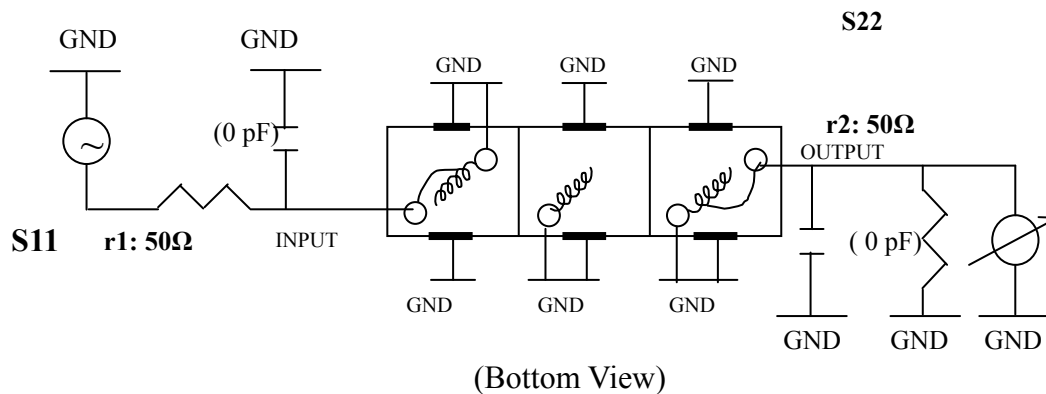
VHF UHF Helical Filter Specification Sheet

Customer Name		Temwell's Part No.	TTL63194F-771M
Approval No. /dated	0701115APR	Acceptable Specify Fo Range.	751~800MHz
Work Instruction No.	0701115DC	Date	Jan.24.2007



(3) Electric Characteristic			
Item		Specify	Performance
Center Freq.(Fo) +/- 0.5 %		771 MHz	771 MHz
Tunable Range:		771±5 MHz	771±5 MHz
Insertion Loss		Typ. 5.0 dB	4.27 dB
-3 dB Bandwidth		Typ. 8 MHz	11.0 MHz
Sensitivity (Attenuation)	Fo - 20 MHz	Typ. 24 dB	27 dB
	Fo + 20 MHz	Typ. 20 dB	23 dB
	Fo - ()MHz	Typ. dB	dB
	Fo +()MHz	Typ. dB	dB
Return Loss		Min. 12 dB	23.5 dB
Ripple		< 1 dB	dB
Impedance		In / Out : 75 Ω	In / Out : 75 Ω
(4) Torque for Tuning Screw		> 60gf • cm	
(5) Temperature Condition:			
Operating Temperature		0°C ~ +60°C	
Storage Temperature		20°C ~ +70°C	
(6) Input Power		> 1Watt	

(7) Measuring Circuit: ※Easy to match Impedance S11/S22 75Ω by parallel with about(0 pF) / (0 pF).

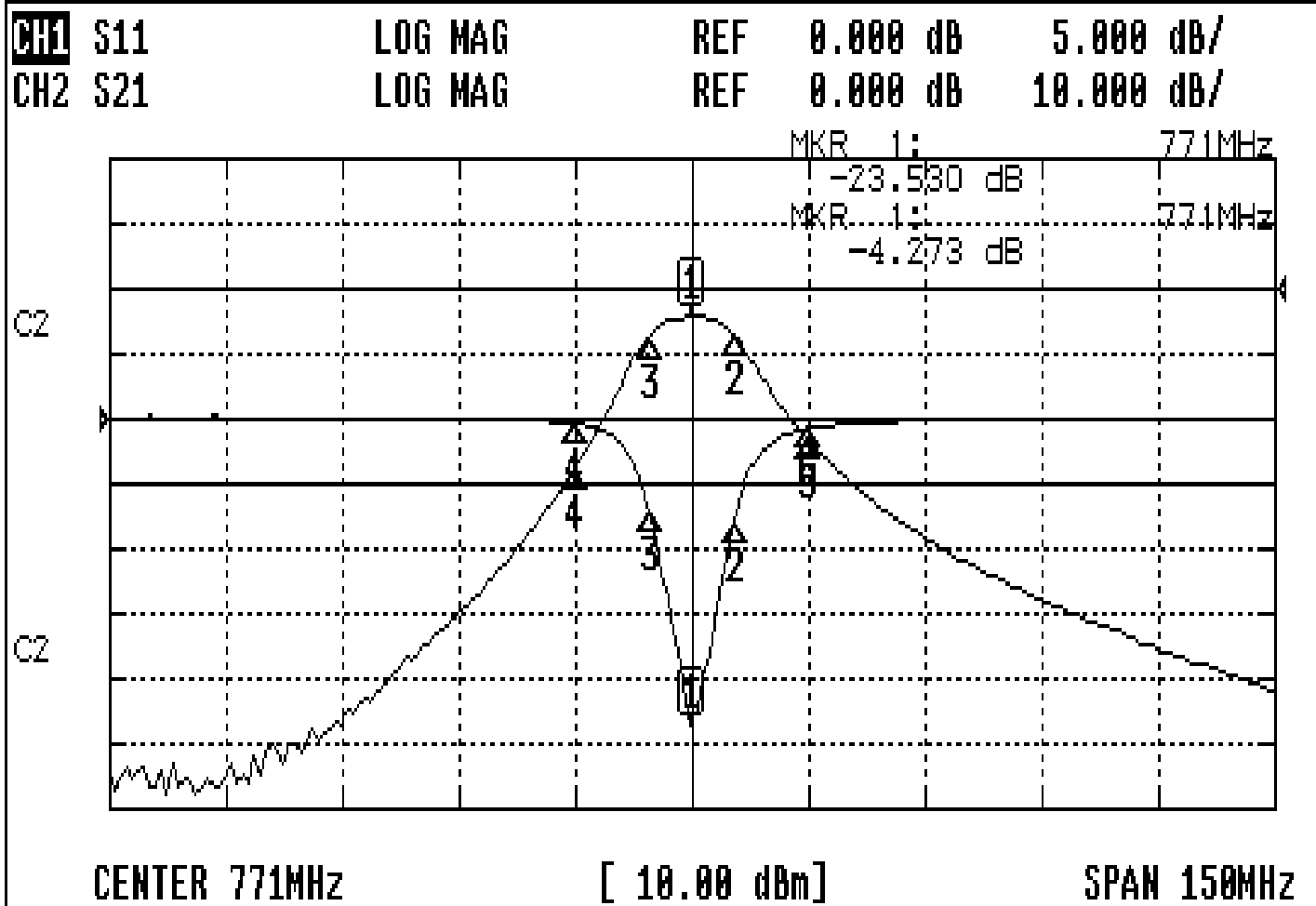


Approval	Supervisor	Designer	Aperture size
C.Y.Chang	C.S.Chang	P.H.Chiang	7H3(4*4.65F) 7H046LB4 聚 3

TEMWELL CORPORATION

Performance-TTL63194F-771M

0701115DC



CH1 MARKER LIST

1:	771.000MHz	-23.530	dB
2:	776.500MHz	-7.776	dB
3:	765.500MHz	-6.995	dB
4:	756.000MHz	-0.367	dB
5:	786.000MHz	-0.720	dB
10:			

CH2 MARKER LIST

1:	771.000MHz	-4.271	dB
2:	776.500MHz	-7.187	dB
3:	765.500MHz	-7.267	dB
4:	756.000MHz	-27.589	dB
5:	786.000MHz	-23.201	dB
10:			