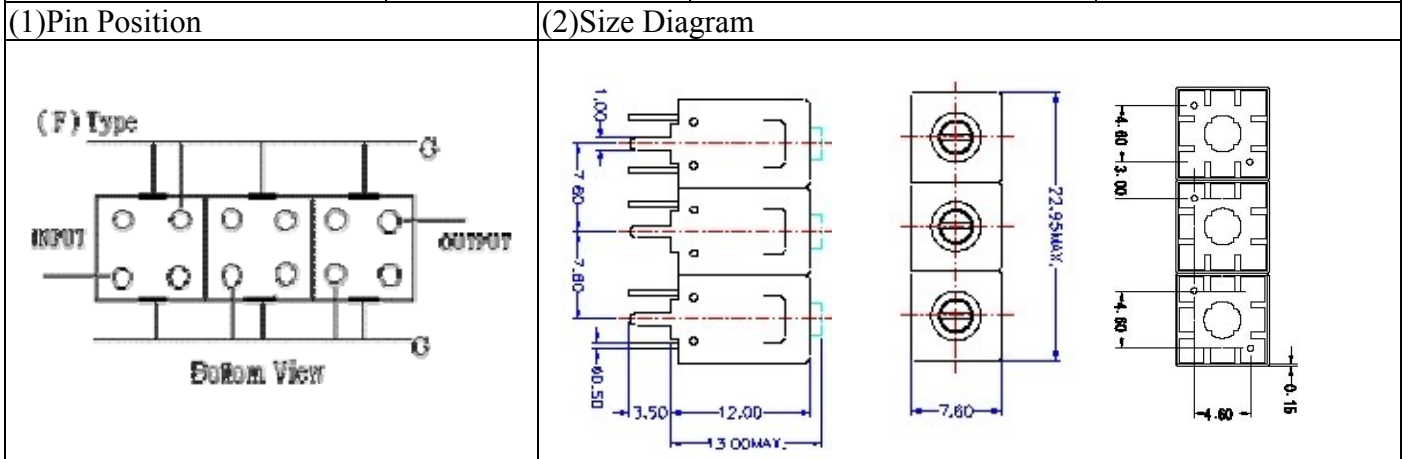


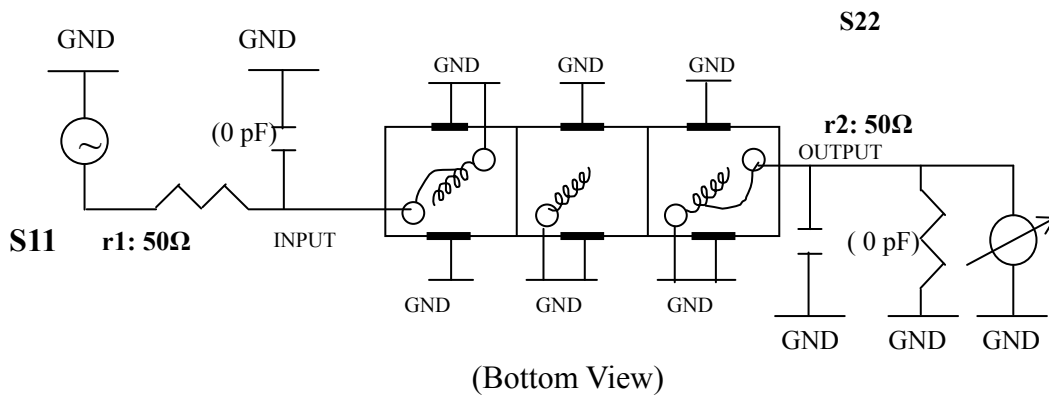
VHF UHF Helical Filter Specification Sheet

Customer Name		Temwell's Part No.	TTL63192F-755M
Approval No. /dated	0701113APR	Acceptable Specify Fo Range.	751~800MHz
Work Instruction No.	0701113DC	Date	Jan.24.2007



(3)Electric Chararistic			
Item		Specify	Performance
Center Freq.(Fo) +/- 0.5 %		755 MHz	755 MHz
Tunable Range:		755±5 MHz	755±5 MHz
Insertion Loss		Typ. 4.5 dB	4.06 dB
-3 dB Bandwidth		Typ. 8 MHz	10.8 MHz
Sensitivity (Attenuation)	Fo - 20 MHz	Typ. 23 dB	26 dB
	Fo + 20 MHz	Typ. 20 dB	23 dB
	Fo - ()MHz	Typ. dB	dB
	Fo +()MHz	Typ. dB	dB
Return Loss		Min. 12 dB	23.8 dB
Ripple		< 1 dB	dB
Impedance		In / Out : 75 Ω	In / Out : 75 Ω
(4)Torque for Tuning Screw		> 60gf • cm	
(5)Temperature Condition:			
Operating Temperature		0°C ~ +60°C	
Storage Temperature		20°C ~ +70°C	
(6)Input Power		> 1Watt	

(7)Measuring Circuit: ※Easy to match Impedance S11/S22 75Ω by parallel with about(0 pF) / (0 pF).

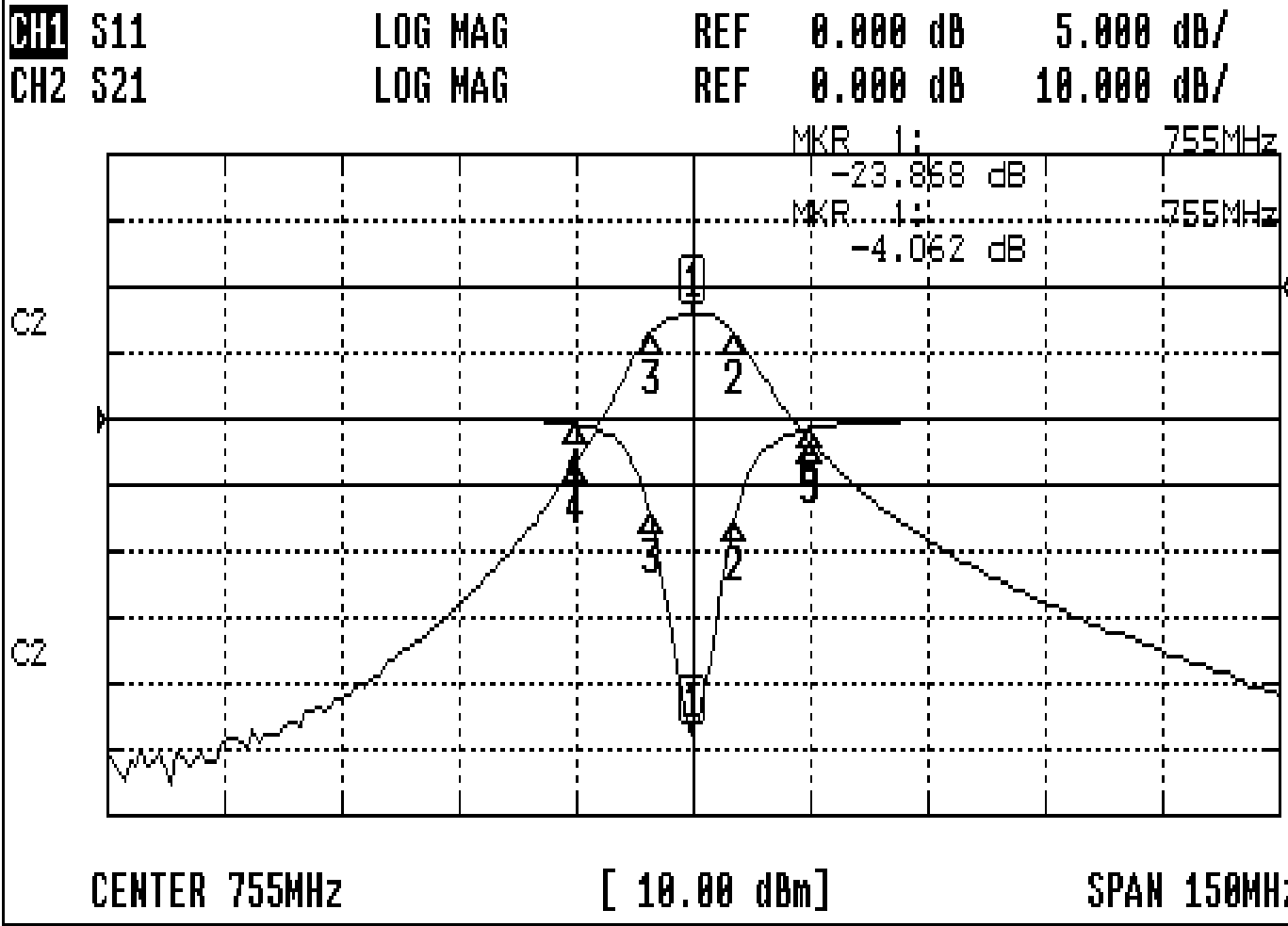


Approval	Supervisor	Designer	Aperture size
C.Y.Chang	C.S.Chang	P.H.Chiang	7H3(4*4.65F) 7H046LB4 聚 3

TEMWELL CORPORATION

Performance-TTL63192F-755M

0701113DC



CH1 MARKER LIST

1:	755.000MHz	-23.811 dB
2:	760.375MHz	-7.553 dB
3:	749.500MHz	-7.115 dB
4:	740.000MHz	-0.409 dB
5:	770.000MHz	-0.709 dB

10:
9.000
8.000
7.000
6.000
5.000
4.000
3.000
2.000
1.000

CH2 MARKER LIST

1:	755.000MHz	-4.062 dB
2:	760.375MHz	-7.012 dB
3:	749.500MHz	-7.117 dB
4:	740.000MHz	-26.764 dB
5:	770.000MHz	-23.278 dB

10:
9.000
8.000
7.000
6.000
5.000
4.000
3.000
2.000
1.000