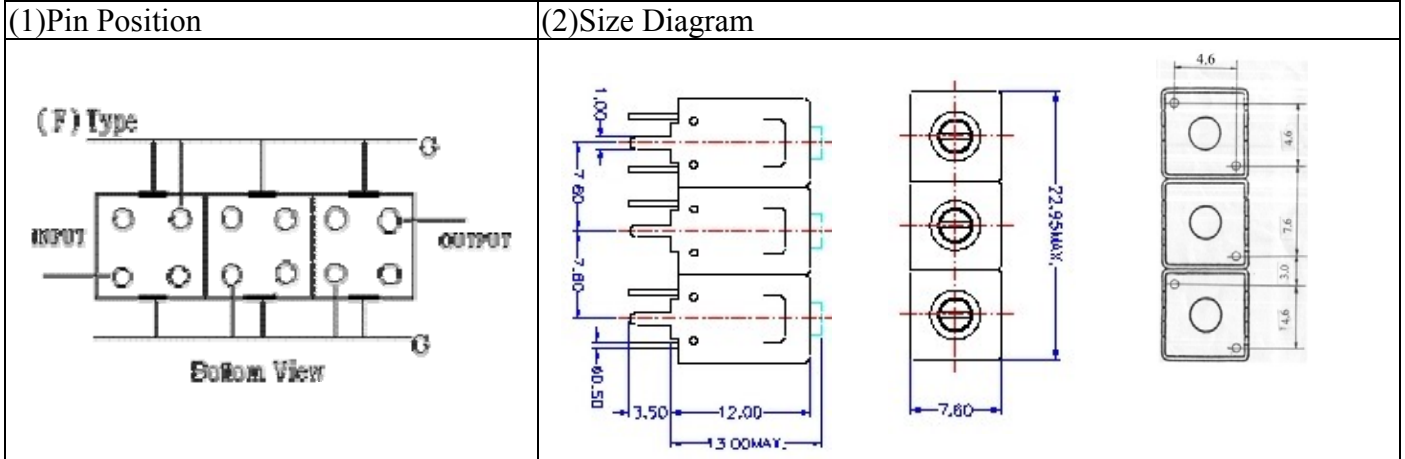


# VHF UHF Helical Filter Specification Sheet

Customer Name		Temwell's Part No.	TTL6318F-501.25M
Approval No. /dated	0611043APR	Acceptable Specify Fo Range	456~515 MHz
Work Instruction No.	0611043DC	Date	Nov.23.2006



### (3) Electric Chararistic

Item	Specify	Performance
Center Freq.(Fo) +/- 0.5 %	501.25 MHz	501.25 MHz
Tunable Range	501.25±5 MHz	501.25±5 MHz
Insertion Loss	Typ. 6.0 dB	4.39 dB
-3 dB Bandwidth	Typ. 6 MHz	8.5 MHz
Sensitivity (Attenuation)	Fo - 15 MHz	Typ. 33 dB
	Fo + 15 MHz	Typ. 26 dB
	Fo - ( )MHz	Typ. dB
	Fo +( )MHz	Typ. dB
Return Loss	Min. 12 dB	24.6 dB
Ripple	< 1 dB	dB
Impedance	In / Out : 75 Ω	In / Out : 75 Ω

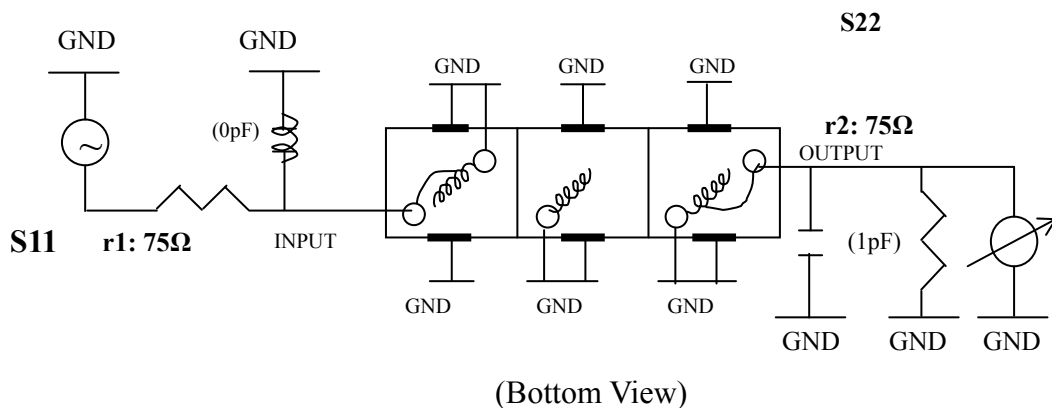
(4) Torque for Tuning Screw > 100gf · cm

(5) Temperature Condition:

Operating Temperature	0°C ~ +60°C
Storage Temperature	-20°C ~ +70°C

(6) Input Power > 1Watt

(7) Measuring Circuit: ※Easy to match Impedance S11/S22 75Ω by parallel with about(0pF)/(1pF).

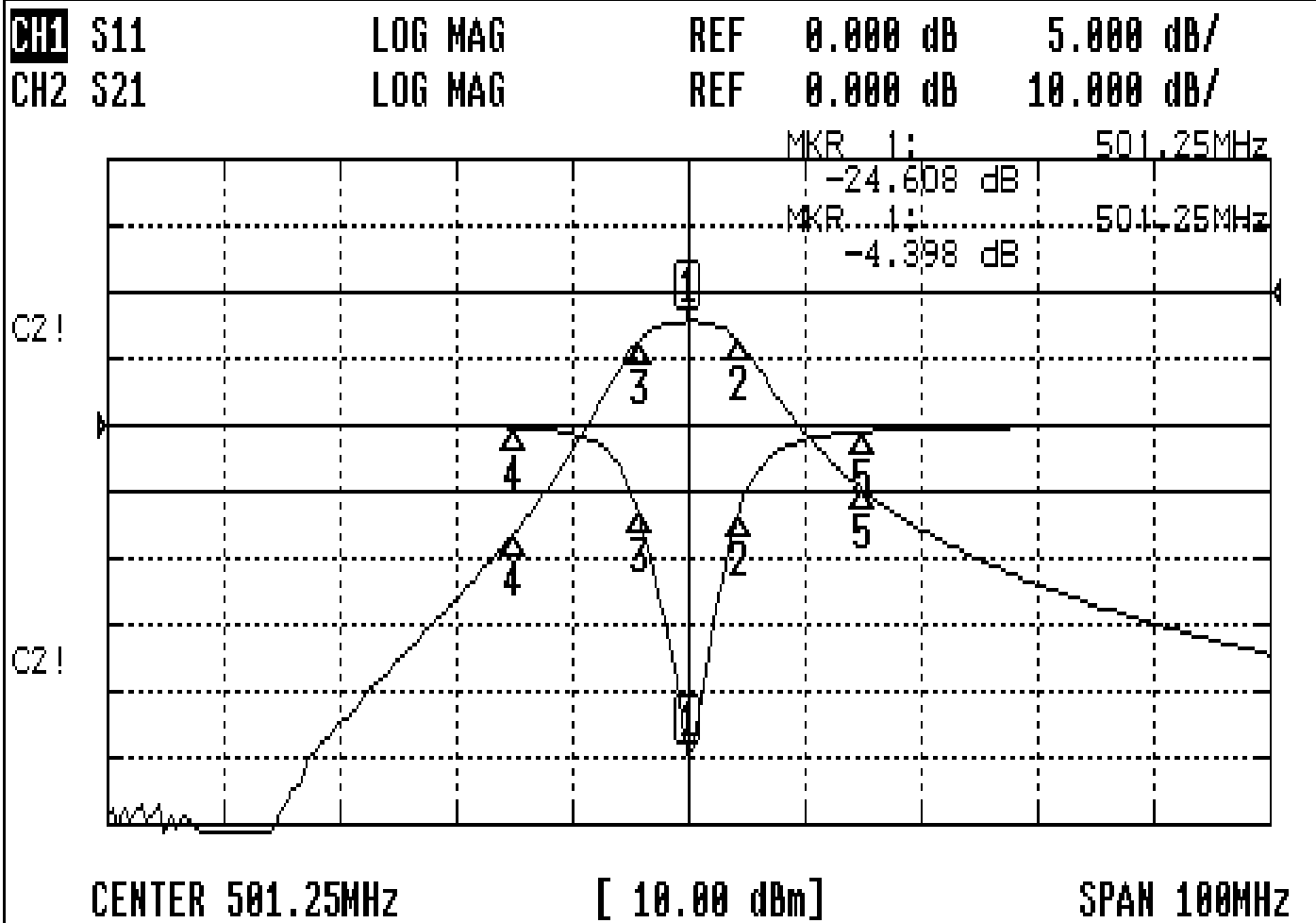


Approval	Supervisor	Designer	Aperture size
C.Y.Chang	C.S.Chang	C.S.Chang	7H3(4*4.65)F 7H046LB4 聚 3

TEMWELL CORPORATION

# Performance-TTL6318F-501.25M

## 0611043DC



### CH1 MARKER LIST

1:	501.250MHz	-24.608	dB
2:	505.583MHz	-16.786	dB
3:	497.000MHz	-16.749	dB
4:	486.250MHz	-0.173	dB
5:	516.250MHz	-0.499	dB
10:			

### CH2 MARKER LIST

1:	501.250MHz	-4.398	dB
2:	505.583MHz	-7.444	dB
3:	497.000MHz	-7.357	dB
4:	486.250MHz	-36.249	dB
5:	516.250MHz	-29.619	dB
10:			