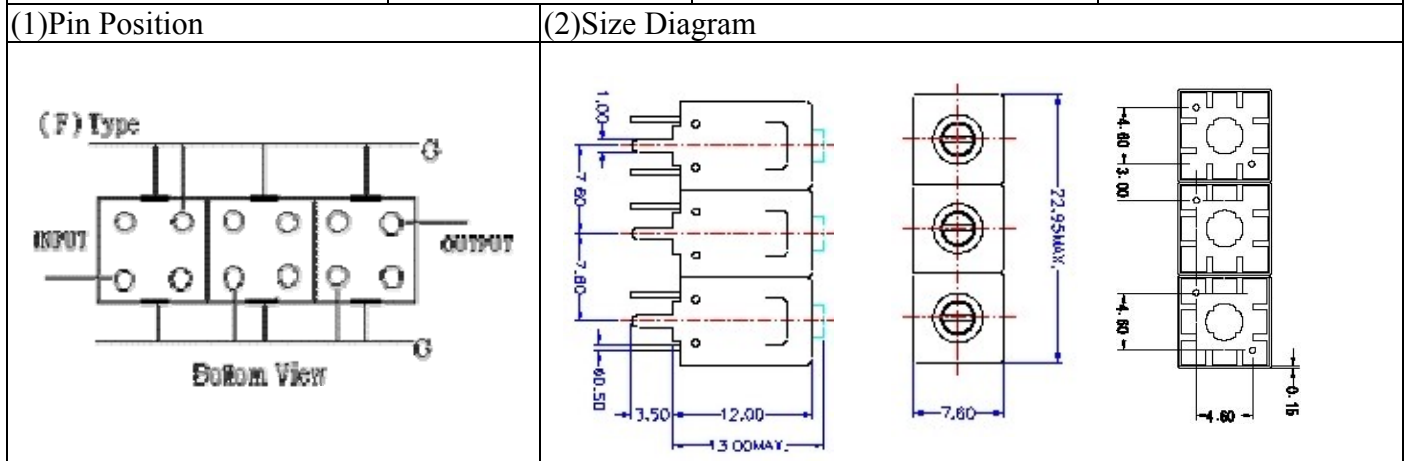


VHF UHF Helical Filter Specification Sheet

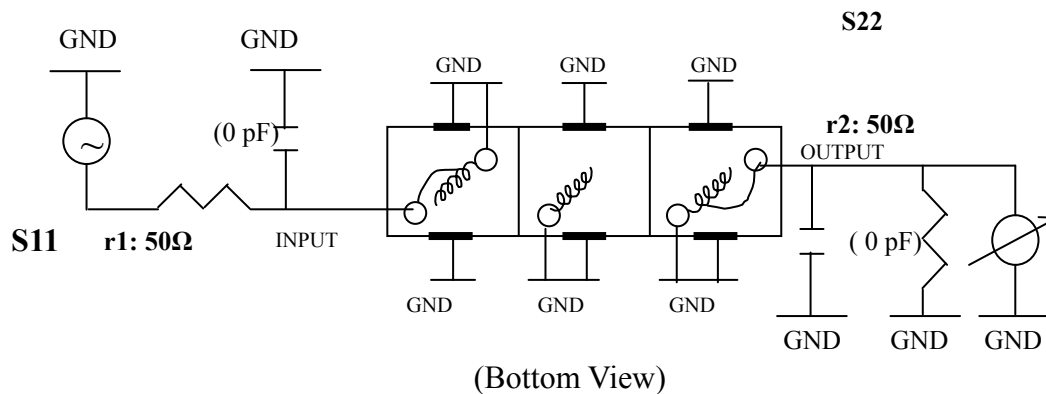
Customer Name		Temwell's Part No.	TTL63189F-731M
Approval No. /dated	0701110APR	Acceptable Specify Fo Range.	701~750MHz
Work Instruction No.	0701110DC	Date	Jan.23.2007



(3) Electric Chararistic

Item	Specify	Performance
Center Freq.(Fo) +/- 0.5 %	731 MHz	731 MHz
Tunable Range:	731±5 MHz	731±5 MHz
Insertion Loss	Typ. 4.5 dB	4.02 dB
-3 dB Bandwidth	Typ. 8 MHz	11.2 MHz
Sensitivity (Attenuation)	Fo - 20 MHz	Typ. 23 dB
	Fo + 20 MHz	Typ. 19 dB
	Fo - ()MHz	Typ. dB
	Fo +()MHz	Typ. dB
Return Loss	Min. 12 dB	17.8 dB
Ripple	< 1 dB	
Impedance	In / Out : 75 Ω	In / Out : 75 Ω
(4) Torque for Tuning Screw	> 60gf • cm	
(5) Temperature Condition:		
Operating Temperature	0°C ~ +60°C	
Storage Temperature	20°C ~ +70°C	
(6) Input Power	> 1Watt	

(7) Measuring Circuit: ※Easy to match Impedance S11/S22 75Ω by parallel with about(0 pF) / (0 pF).

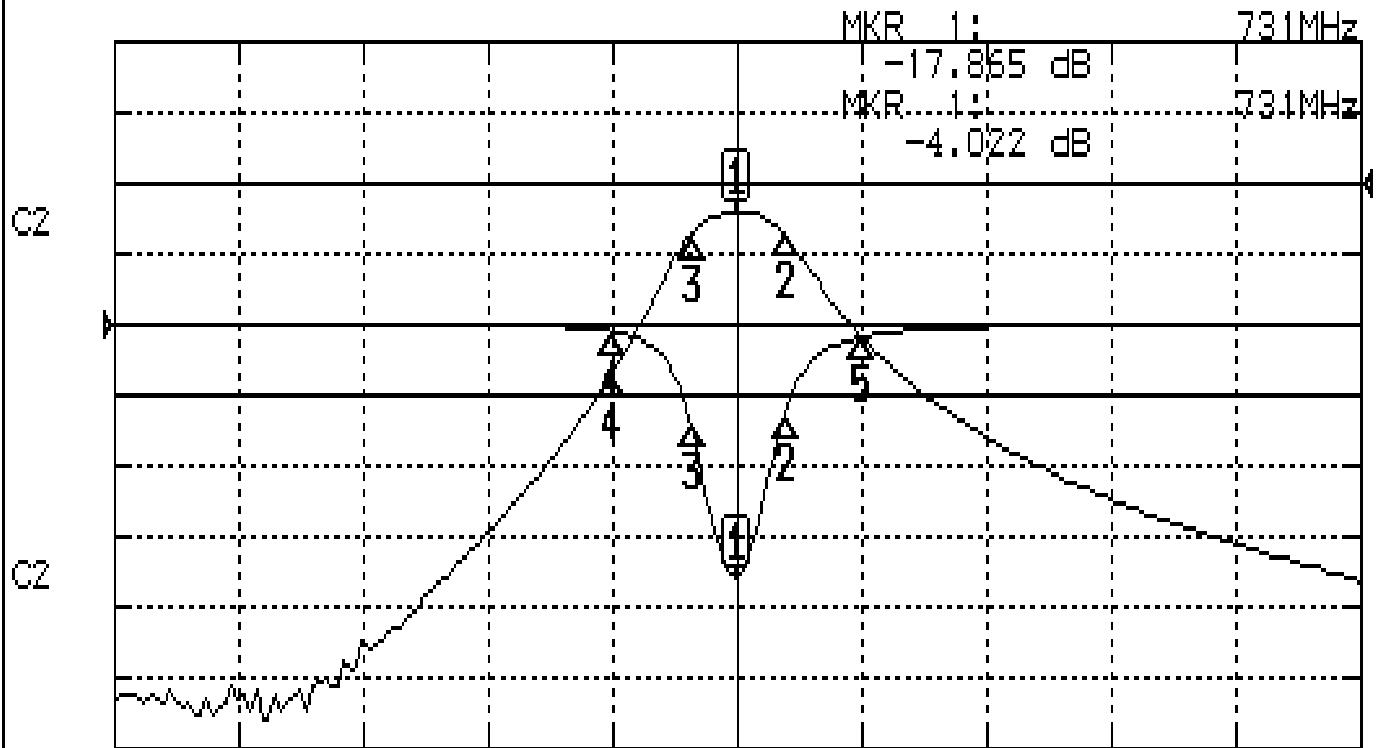


Approval	Supervisor	Designer	Aperture size
C.Y.Chang	C.S.Chang	P.H.Chiang	7H2(4*4.65F) 7H046LB4 聚 3
TEMWELL CORPORATION			

Performance-TTL63189F-731M

0701110DC

CH1 S11 LOG MAG REF 0.000 dB 5.000 dB/
CH2 S21 LOG MAG REF 0.000 dB 10.000 dB/



CENTER 731MHz

[10.00 dBm]

SPAN 150MHz

CH1 MARKER LIST

1:	731.000MHz	-17.868 dB
2:	736.750MHz	-6.464 dB
3:	725.500MHz	-6.962 dB
4:	716.000MHz	-0.479 dB
5:	746.000MHz	-0.828 dB
6:		
7:		
8:		
9:		
10:		

CH2 MARKER LIST

1:	731.000MHz	-4.022 dB
2:	736.750MHz	-7.075 dB
3:	725.500MHz	-7.134 dB
4:	716.000MHz	-26.859 dB
5:	746.000MHz	-21.700 dB
6:		
7:		
8:		
9:		
10:		