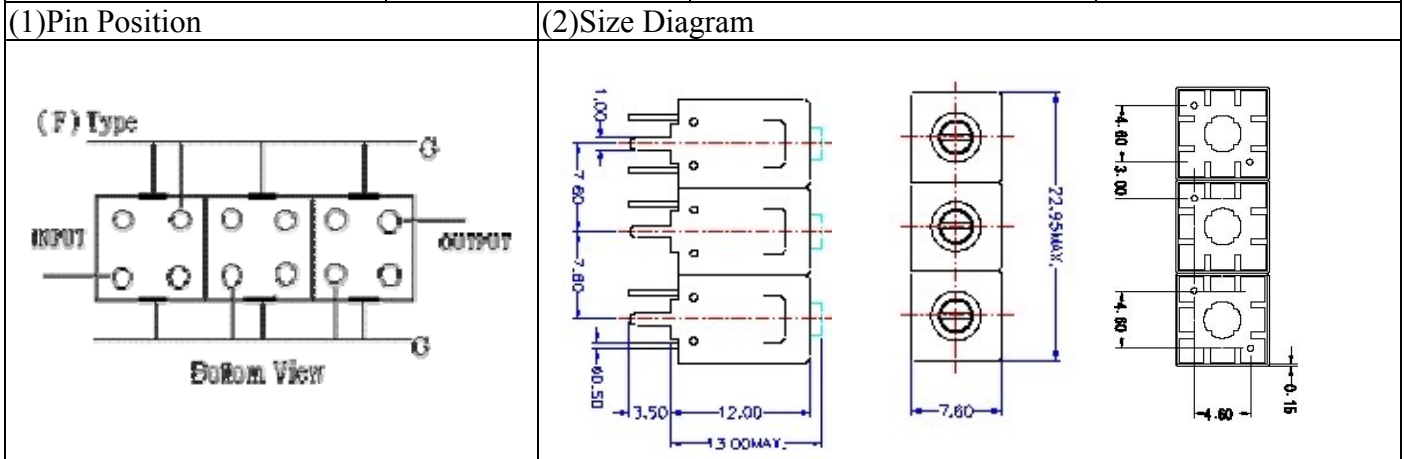


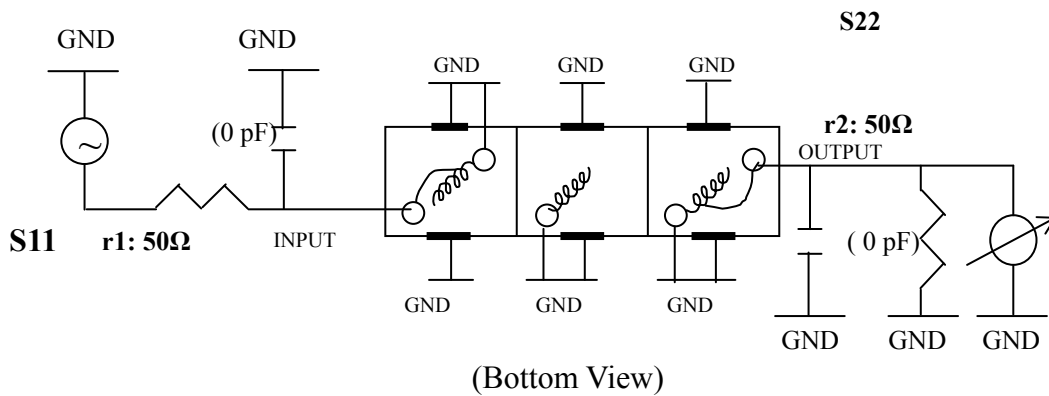
VHF UHF Helical Filter Specification Sheet

Customer Name		Temwell's Part No.	TTL63188F-723M
Approval No. /dated	0701109APR	Acceptable Specify Fo Range.	701~750
Work Instruction No.	0701109DC	Date	Jan.23.2007



(3) Electric Characteristic			
Item		Specify	Performance
Center Freq.(Fo) +/- 0.5 %		723 MHz	723 MHz
Tunable Range:		723±5 MHz	723±5 MHz
Insertion Loss		Typ. 5.0 dB	4.39 dB
-3 dB Bandwidth		Typ. 8 MHz	11.0 MHz
Sensitivity (Attenuation)	Fo - 20 MHz	Typ. 23 dB	27 dB
	Fo + 20 MHz	Typ. 19 dB	22 dB
	Fo - ()MHz	Typ. dB	dB
	Fo +()MHz	Typ. dB	dB
Return Loss		Min. 12 dB	15.5 dB
Ripple		< 1 dB	dB
Impedance		In / Out : 75 Ω	In / Out : 75 Ω
(4) Torque for Tuning Screw		> 60gf · cm	
(5) Temperature Condition:			
Operating Temperature		0°C ~ +60°C	
Storage Temperature		20°C ~ +70°C	
(6) Input Power		> 1Watt	

(7) Measuring Circuit: ※Easy to match Impedance S11/S22 75Ω by parallel with about(0 pF) / (0 pF).



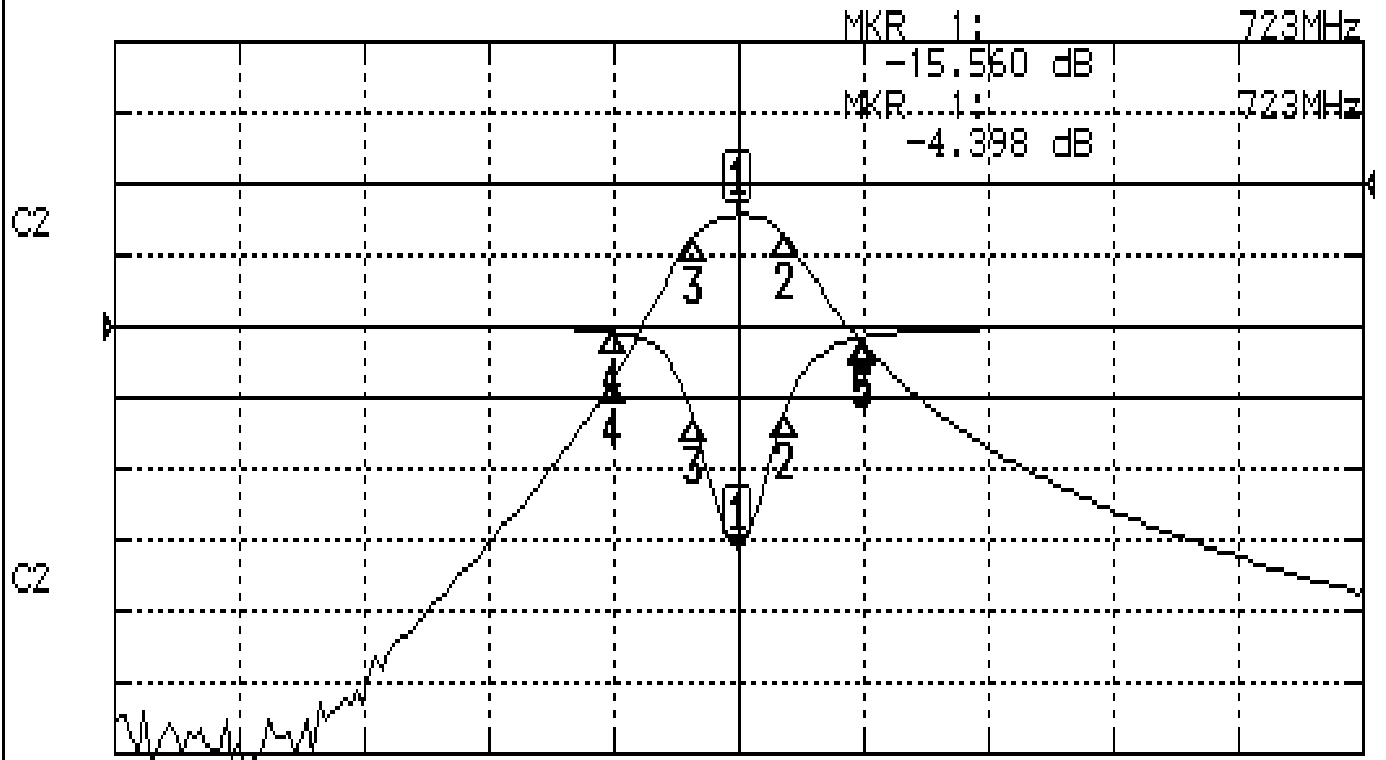
Approval	Supervisor	Designer	Aperture size
C.Y.Chang	C.S.Chang	P.H.Chiang	7H2(4*4.65F) 7H046LB4 聚 3

TEMWELL CORPORATION

Performance-TTL63188F-723M

0701109DC

CH1 S11 LOG MAG REF 0.000 dB 5.000 dB/
CH2 S21 LOG MAG REF 0.000 dB 10.000 dB/



CENTER 723MHz

[10.00 dBm]

SPAN 150MHz

CH1 MARKER LIST

1:	723.000MHz	-15.572 dB
2:	728.625MHz	-6.099 dB
3:	717.625MHz	-6.374 dB
4:	708.000MHz	-0.416 dB
5:	738.000MHz	-0.740 dB

CH2 MARKER LIST

1:	723.000MHz	-4.398 dB
2:	728.625MHz	-7.344 dB
3:	717.625MHz	-7.303 dB
4:	708.000MHz	-27.432 dB
5:	738.000MHz	-22.461 dB