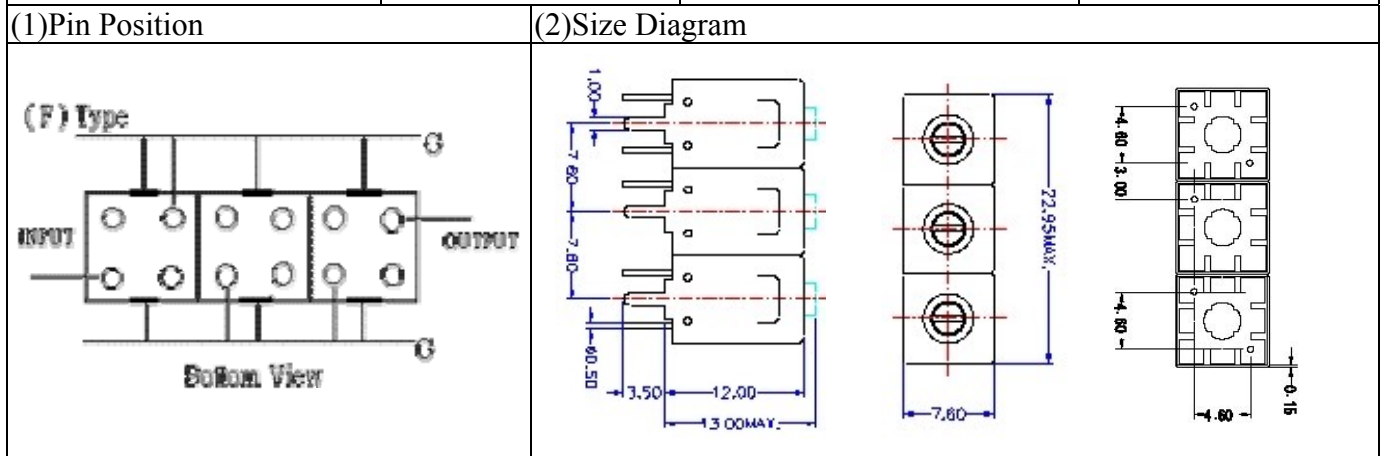


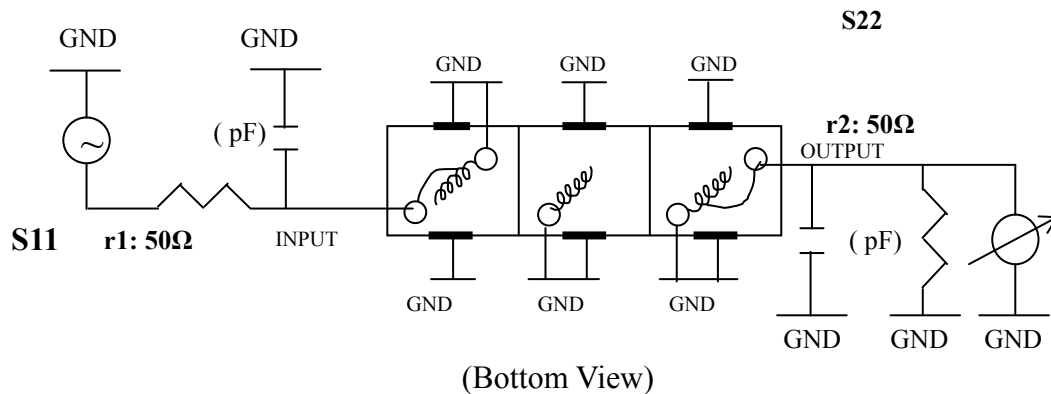
VHF UHF Helical Filter Specification Sheet

Customer Name		Temwell's Part No.	TTL63184F-691M
Approval No. /dated	0701105PR	Acceptable Specify Fo Range.	661~700MHz
Work Instruction No.	0701105DC	Date	Jan.29.2007



(3) Electric Characteristic			
Item	Specify	Performance	
Center Freq.(Fo) +/- 0.5 %	691 MHz	691 MHz	
Tunable Range:	691±5 MHz	691±5 MHz	
Insertion Loss	Typ. 5.0 dB	4.08 dB	
-3 dB Bandwidth	Typ. 8 MHz	11.1 MHz	
Sensitivity (Attenuation)	Fo - 20 MHz	Typ. 27 dB	30 dB
	Fo + 20 MHz	Typ. 22 dB	25 dB
	Fo - ()MHz	Typ. dB	dB
	Fo +()MHz	Typ. dB	dB
Return Loss	Min. 12 dB	17.5 dB	
Ripple	< 1 dB	dB	
Impedance	In / Out : 75 Ω	In / Out : 75 Ω	
(4) Torque for Tuning Screw		> 60gf · cm	
(5) Temperature Condition:			
Operating Temperature		0°C ~ +60°C	
Storage Temperature		20°C ~ +70°C	
(6) Input Power		> 1Watt	

(7) Measuring Circuit: ※Easy to match Impedance S11/S22 75Ω by parallel with about(pF) / (pF).

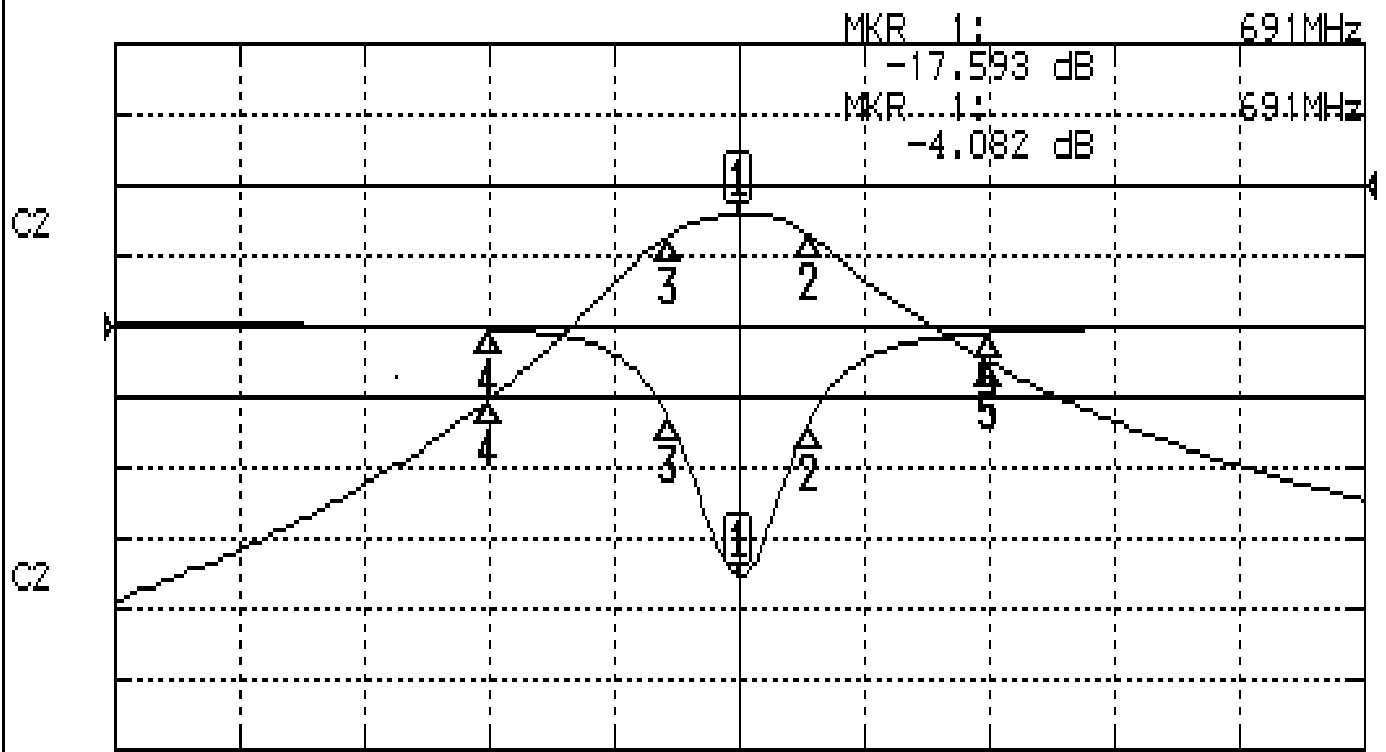


Approval	Supervisor	Designer	Aperture size
C.Y.Chang	C.S.Chang	J.F.Lin	7H3(4*4.5F) 7H046LB4 聚 3
TEMWELL CORPORATION			

Performance-TTL63184F-691M

0701105DC

CH1 S11 LOG MAG REF 0.000 dB 5.000 dB/
CH2 S21 LOG MAG REF 0.000 dB 10.000 dB/



CENTER 691MHz

[10.00 dBm]

SPAN 100MHz

CH1 MARKER LIST

1:	691.000MHz	-17.593 dB
2:	696.583MHz	-6.789 dB
3:	685.416MHz	-6.516 dB
4:	671.000MHz	-0.169 dB
5:	711.000MHz	-0.452 dB

CH2 MARKER LIST

1:	691.000MHz	-4.082 dB
2:	696.583MHz	-6.968 dB
3:	685.416MHz	-6.978 dB
4:	671.000MHz	-30.378 dB
5:	711.000MHz	-25.012 dB