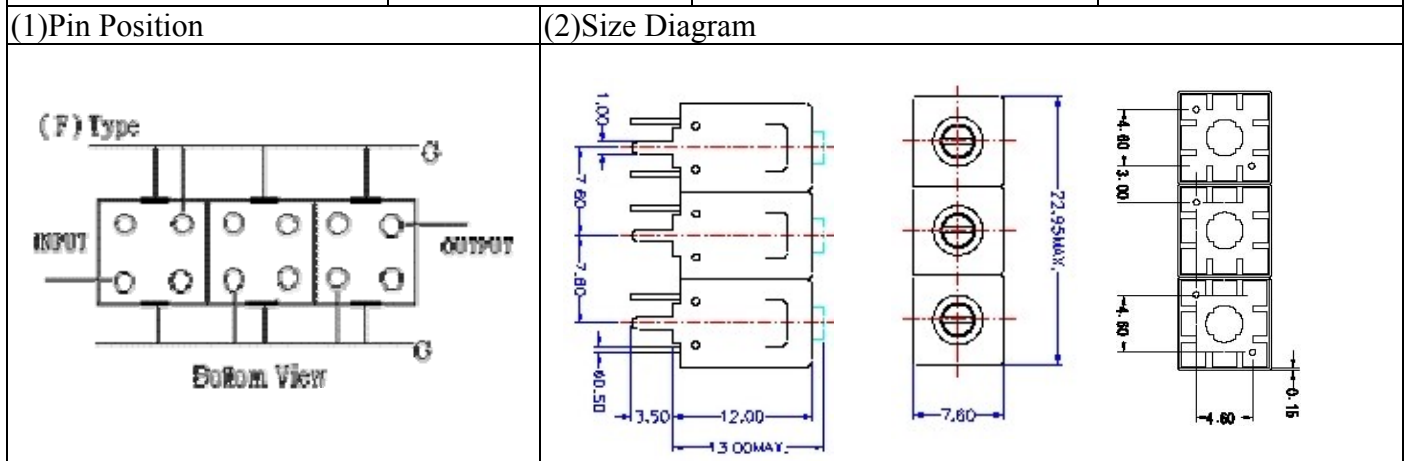


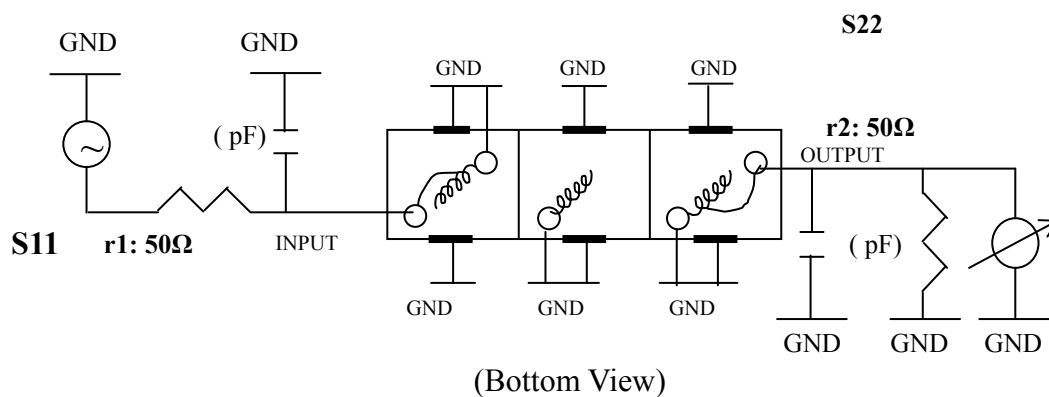
VHF UHF Helical Filter Specification Sheet

Customer Name		Temwell's Part No.	TTL63180F-659M
Approval No. /dated	0701101APR	Acceptable Specify Fo Range.	641~660MHz
Work Instruction No.	0701101DC	Date	Jan.27.2007



(3) Electric Characteristic			
Item		Specify	Performance
Center Freq.(Fo) +/- 0.5 %		659 MHz	659 MHz
Tunable Range:		659±5 MHz	659±5 MHz
Insertion Loss		Typ. 5.0 dB	3.90 dB
-3 dB Bandwidth		Typ. 8 MHz	11.2 MHz
Sensitivity (Attenuation)	Fo - 20 MHz	Typ. 26 dB	29 dB
	Fo + 20 MHz	Typ. 22 dB	25 dB
	Fo - ()MHz	Typ. dB	dB
	Fo +()MHz	Typ. dB	dB
Return Loss		Min. 12 dB	13.5 dB
Ripple		< 1 dB	dB
Impedance		In / Out : 75 Ω	In / Out : 75 Ω
(4) Torque for Tuning Screw		> 60gf · cm	
(5) Temperature Condition:			
Operating Temperature		0°C ~ +60°C	
Storage Temperature		20°C ~ +70°C	
(6) Input Power		> 1Watt	

(7) Measuring Circuit: ※Easy to match Impedance S11/S22 75Ω by parallel with about(pF) / (pF).



Approval	Supervisor	Designer	Aperture size
C.Y.Chang	C.S.Chang	J.F.Lin	7H3(4*4.65F) 7H046LB4 聚 3

TEMWELL CORPORATION

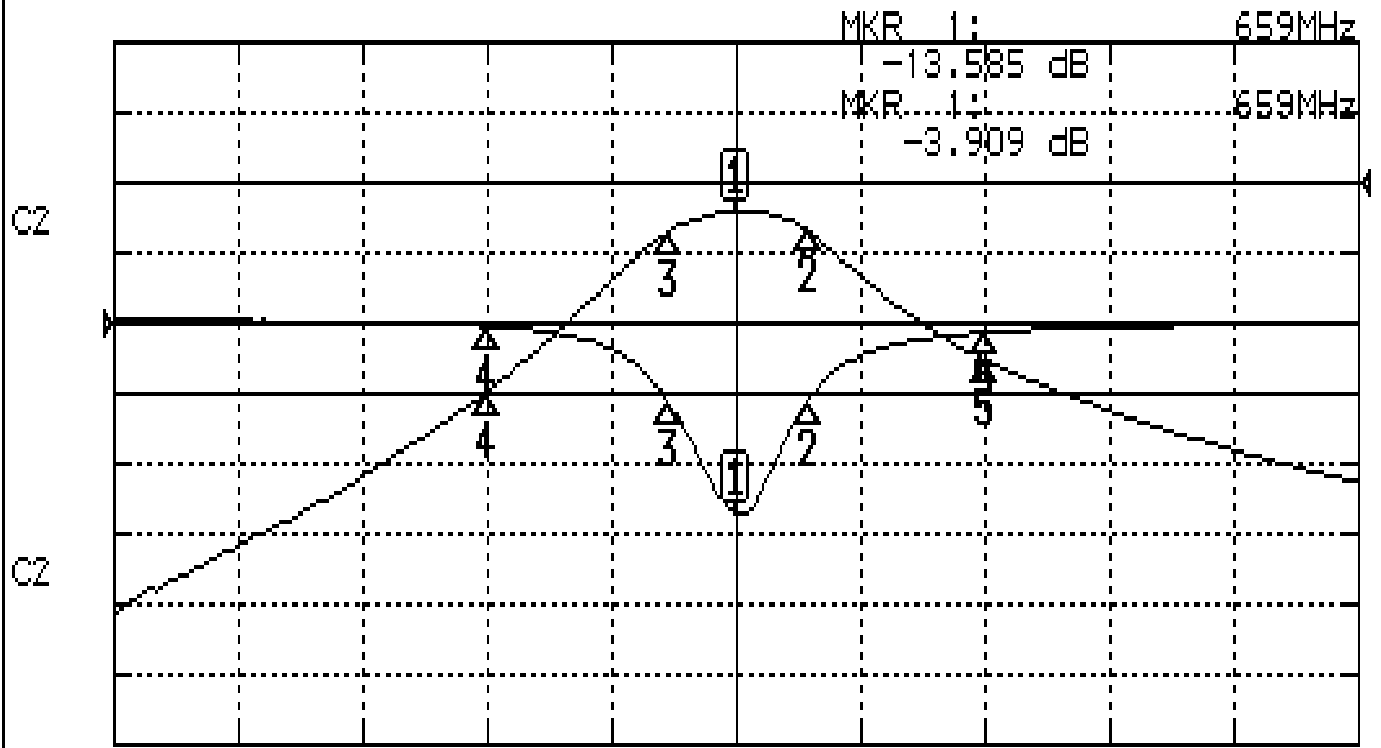
TEMWELL

Form10-7H3F Vision D RP(J.F.Lin)

Performance-TTL63180F-659M

0701101DC

CH1 S11 LOG MAG REF 0.000 dB 5.000 dB/
CH2 S21 LOG MAG REF 0.000 dB 10.000 dB/



CENTER 659MHz

[10.00 dBm]

SPAN 100MHz

CH1 MARKER LIST

1:	659.000MHz	-13.585	dB
2:	664.750MHz	-15.584	dB
3:	653.583MHz	-15.550	dB
4:	639.000MHz	-0.168	dB
5:	679.000MHz	-0.641	dB
6:			
7:			
8:			
9:			
10:			

CH2 MARKER LIST

1:	659.000MHz	-3.909	dB
2:	664.750MHz	-6.906	dB
3:	653.583MHz	-7.003	dB
4:	639.000MHz	-29.713	dB
5:	679.000MHz	-25.244	dB
6:			
7:			
8:			
9:			
10:			