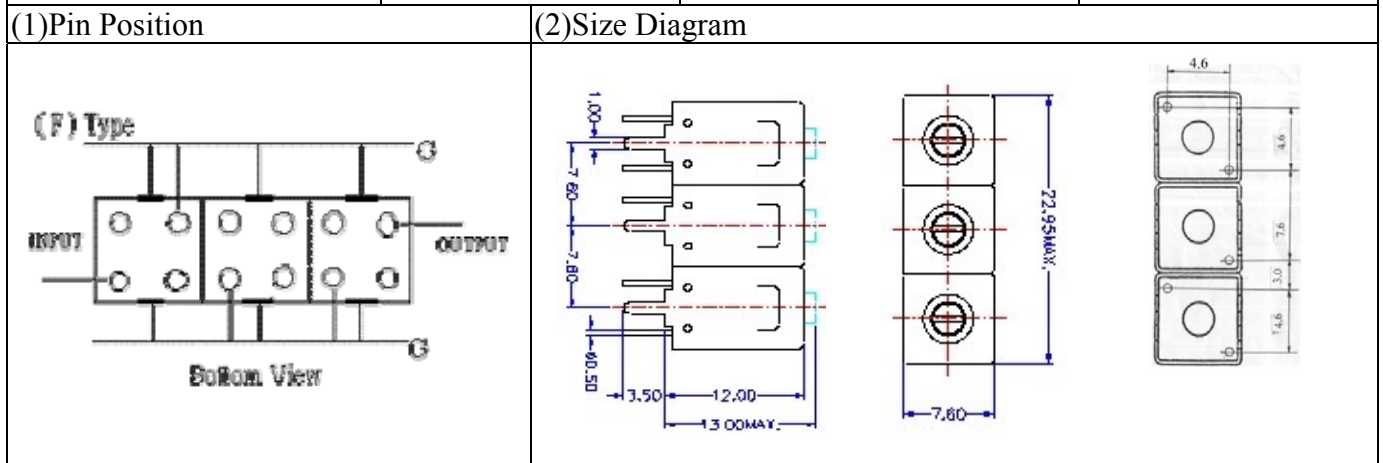


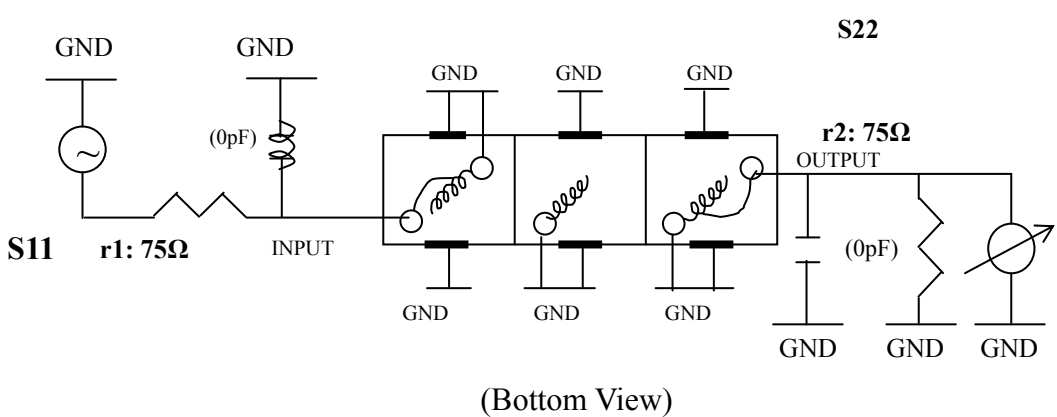
VHF UHF Helical Filter Specification Sheet

Customer Name		Temwell's Part No.	TTL6317F-495.25M
Approval No. /dated	0611042APR	Acceptable Specify Fo Range	456~515 MHZ
Work Instruction No.	0611042DC	Date	Nov.30.2006



(3) Electric Characteristic			
Item		Specify	Performance
Center Freq.(Fo) +/- 0.5 %		495.25 MHz	495.25 MHz
Tunable Range		495.25±5 MHz	495.25±5 MHz
Insertion Loss		Typ. 5.5 dB	4.97 dB
-3 dB Bandwidth		Typ. 6 MHz	8 MHz
Sensitivity (Attenuation)	Fo - 15 MHz	Typ. 30 dB	42 dB
	Fo + 15 MHz	Typ. 28 dB	31 dB
	Fo - ()MHz	Typ. dB	dB
	Fo + ()MHz	Typ. dB	dB
Return Loss		Min. 12 dB	32.5 dB
Ripple		< 1 dB	dB
Impedance		In / Out : 75 Ω	In / Out : 75 Ω
(4) Torque for Tuning Screw		> 100gf · cm	
(5) Temperature Condition:			
Operating Temperature		0°C ~ +60°C	
Storage Temperature		-20°C ~ +70°C	
(6) Input Power		> 1Watt	

(7) Measuring Circuit: ※Easy to match Impedance S11/S22 75Ω by parallel with about(0pF)/(0pF).

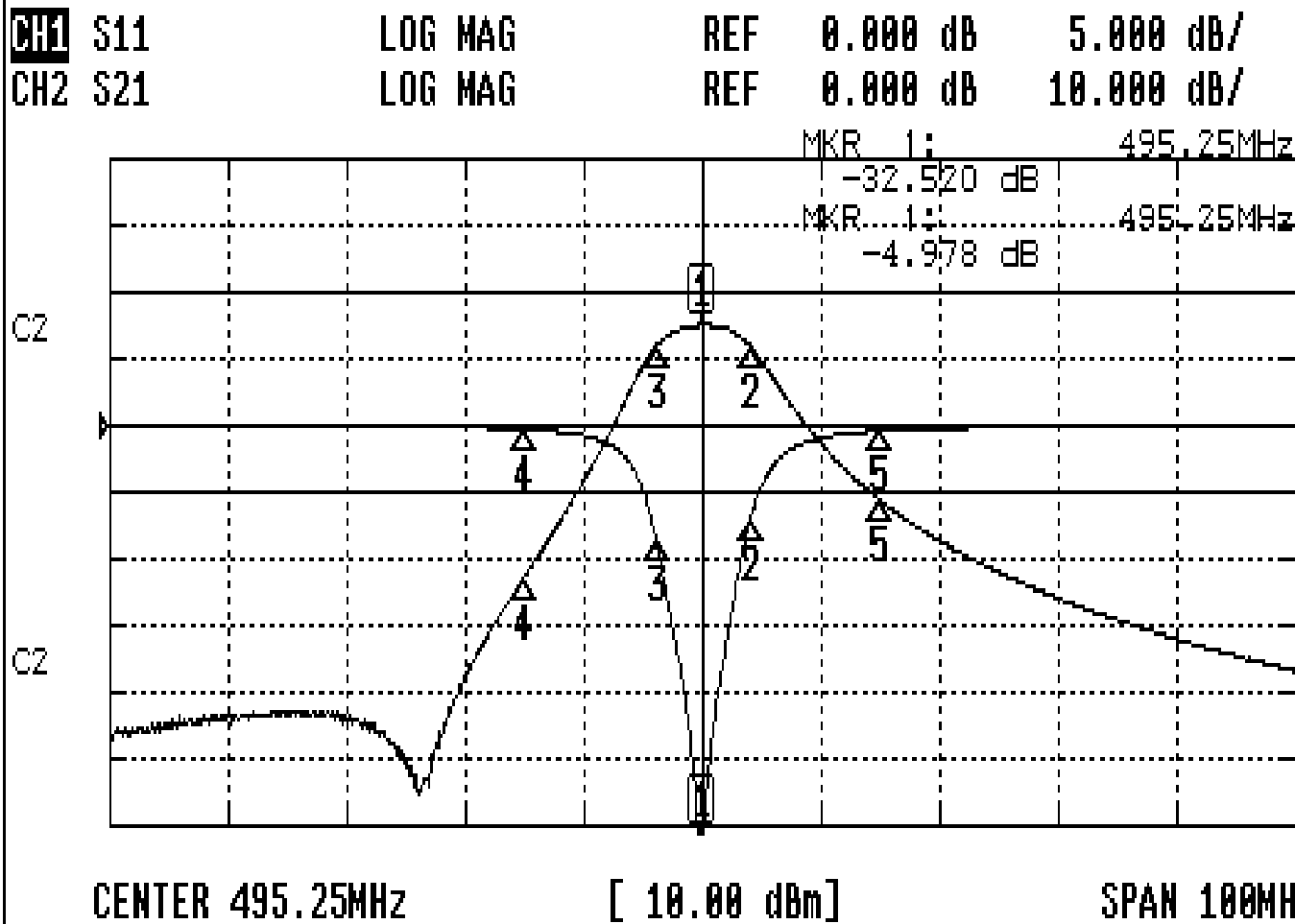


Approval	Supervisor	Designer	Aperture size
C.Y.Chang	C.S.Chang	P.H.Chiang	7H3(4*4.65)F 7H046LB4 聚 3

TEMWELL CORPORATION

Performance-TTL6317F-495.25M

0611042DC



CH1 MARKER LIST

Marker	Frequency (MHz)	Magnitude (dB)
1	495.250	-32.520
2	499.333	-7.092
3	491.416	-8.636
4	480.250	-0.252
5	510.250	-0.374

CH2 MARKER LIST

Marker	Frequency (MHz)	Magnitude (dB)
1	495.250	-4.978
2	499.333	-8.087
3	491.416	-8.026
4	480.250	-42.839
5	510.250	-31.143