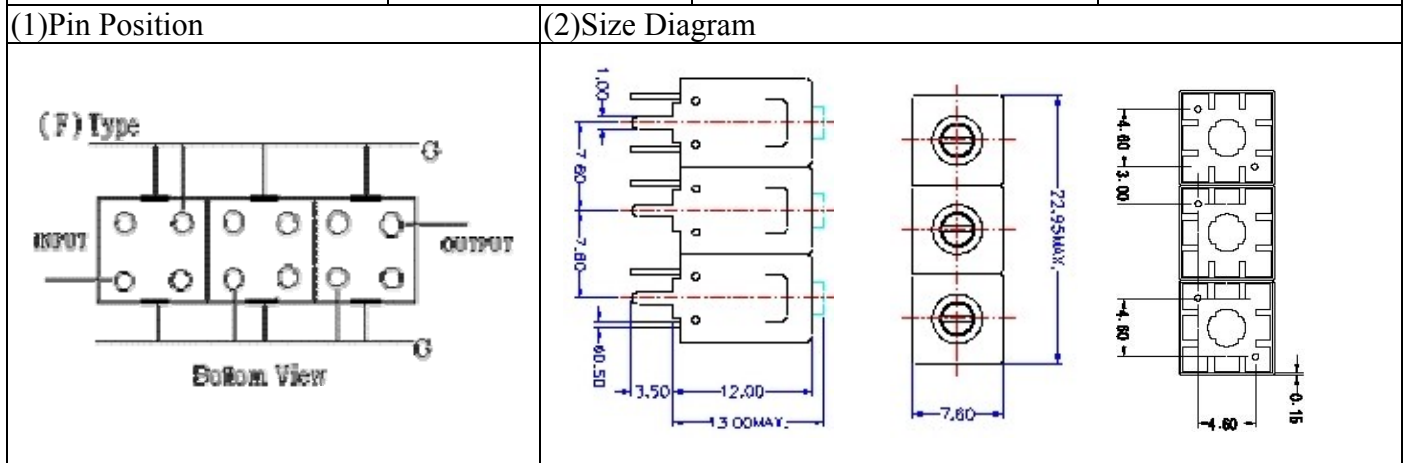


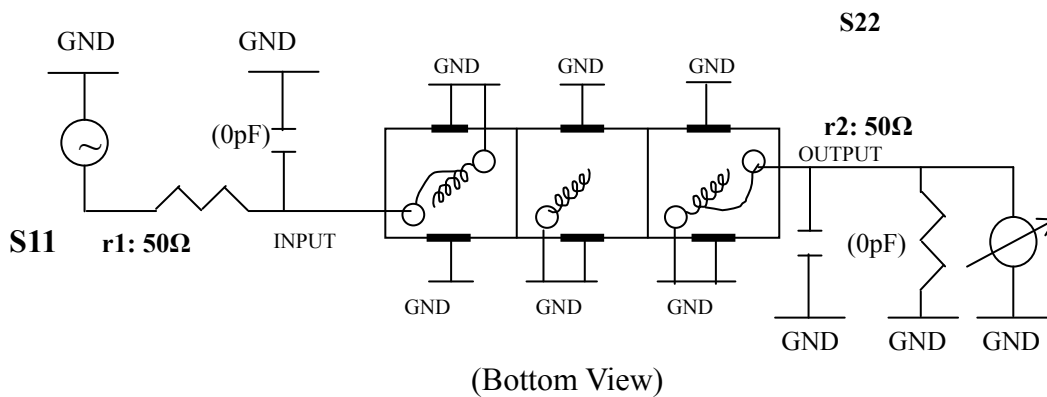
# VHF UHF Helical Filter Specification Sheet

Customer Name		Temwell's Part No.	TTL63177F-635M
Approval No. /dated	0701098APR	Acceptable Specify Fo Range.	596~640M
Work Instruction No.	0701098DC	Date	Jan.24.2007



(3) Electric Character			
Item		Specify	Performance
Center Freq.(Fo) +/- 0.5 %		635 MHz	635 MHz
Tunable Range:		635±5 MHz	635±5 MHz
Insertion Loss		Typ. 5.0 dB	3.70 dB
-3 dB Bandwidth		Typ. 8 MHz	11.8 MHz
Sensitivity (Attenuation)	Fo - 20 MHz	Typ. 28 dB	31 dB
	Fo + 20 MHz	Typ. 23 dB	26 dB
	Fo - ( )MHz	Typ. dB	dB
	Fo + ( )MHz	Typ. dB	dB
Return Loss		Min. 12 dB	15.8 dB
Ripple		< 1 dB	dB
Impedance		In / Out : 75 Ω	In / Out : 75 Ω
(4) Torque for Tuning Screw		> 60gf · cm	
(5) Temperature Condition:			
Operating Temperature		0°C ~ +60°C	
Storage Temperature		20°C ~ +70°C	
(6) Input Power		> 1Watt	

(7) Measuring Circuit: ※Easy to match Impedance S11/S22 75Ω by parallel with about(0pF) / (0pF).



Approval	Supervisor	Designer	Aperture size
C.Y.Chang	C.S.Chang	J.F.Lin	7H3(4*4.65F) 7H046LB4 聚 3

TEMWELL CORPORATION

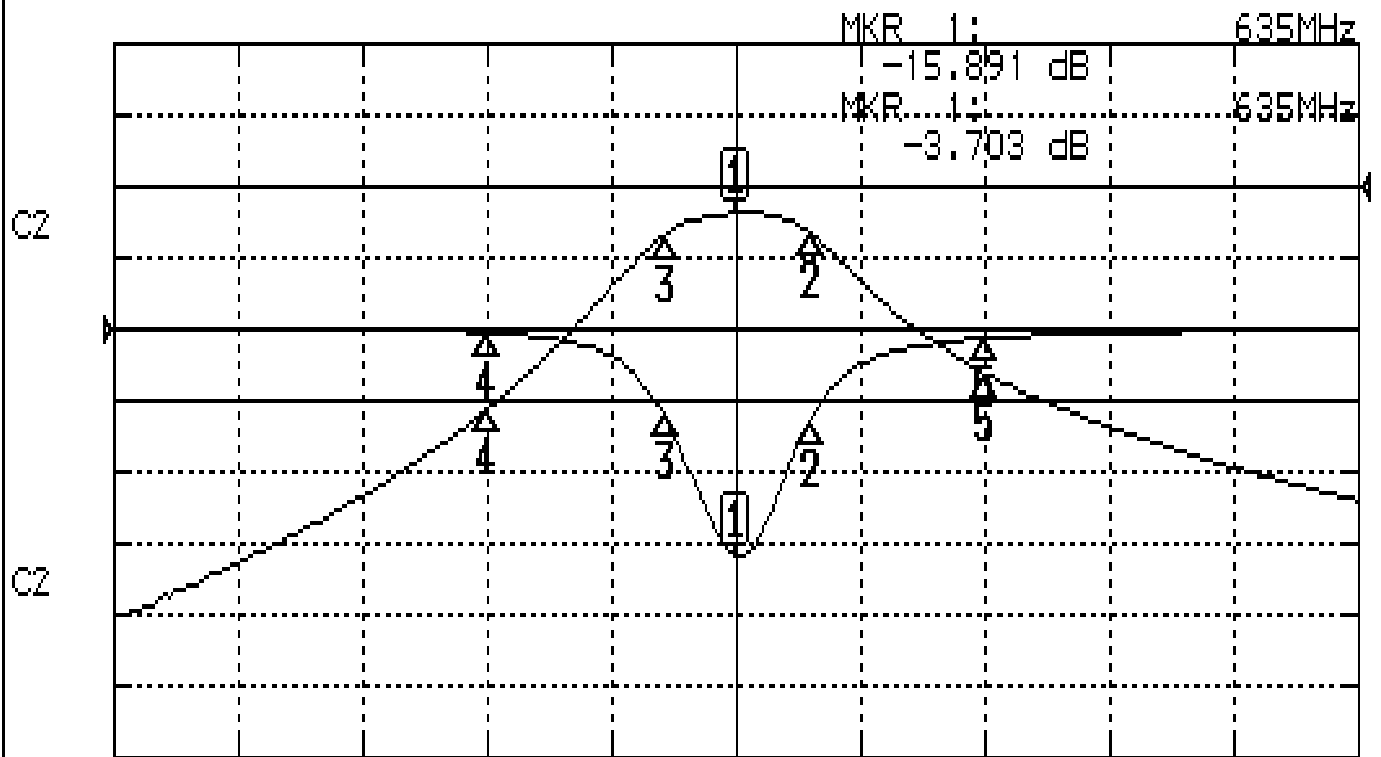
TEMWELL

Form10-7H3F Vision D RP(J.F.Lin)

# Performance-TTL63177F-635M

## 0701098DC

CH1 S11 LOG MAG REF 0.000 dB 5.000 dB/  
CH2 S21 LOG MAG REF 0.000 dB 10.000 dB/



CENTER 635MHz

[ 10.00 dBm ]

SPAN 100MHz

### CH1 MARKER LIST

1:	635.000MHz	-15.891	dB
2:	641.083MHz	-6.208	dB
3:	629.250MHz	-6.110	dB
4:	615.000MHz	-0.223	dB
5:	655.000MHz	-0.622	dB

### CH2 MARKER LIST

1:	635.000MHz	-3.703	dB
2:	641.083MHz	-6.645	dB
3:	629.250MHz	-6.722	dB
4:	615.000MHz	-31.145	dB
5:	655.000MHz	-26.198	dB