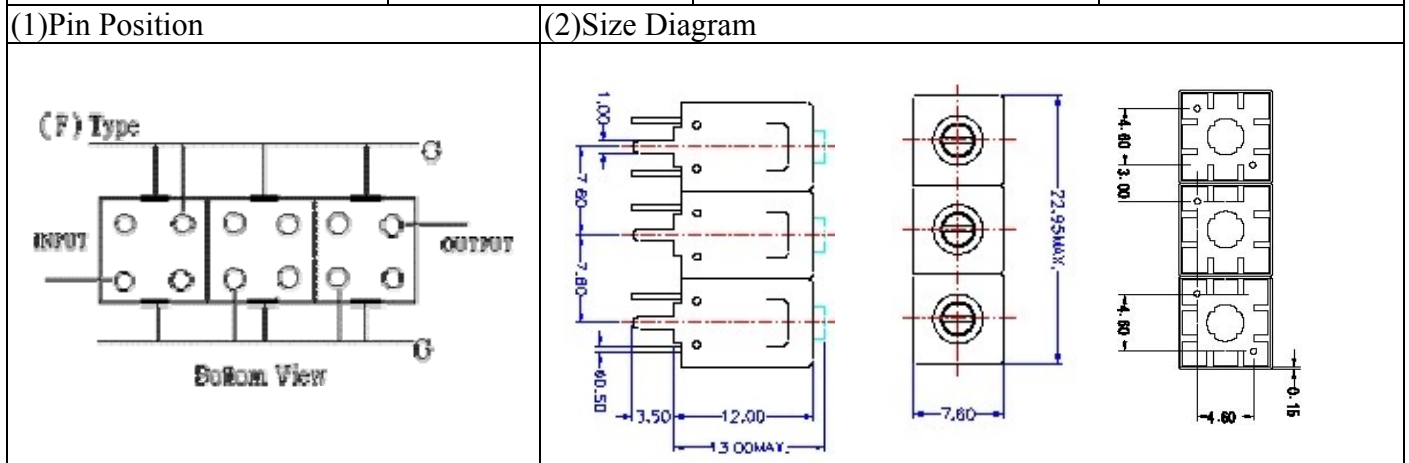


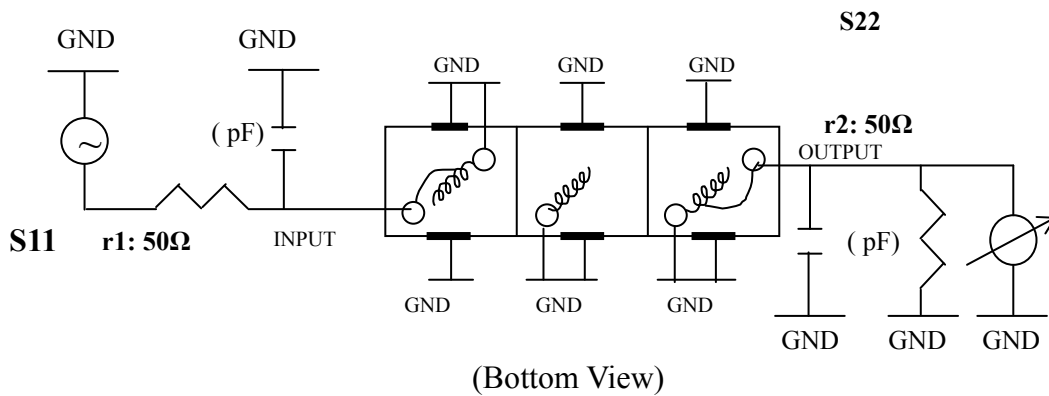
VHF UHF Helical Filter Specification Sheet

Customer Name		Temwell's Part No.	TTL63176F-627M
Approval No. /dated	0701097APR	Acceptable Specify Fo Range.	596~640MHz
Work Instruction No.	0701097DC	Date	Jan.24.2007



(3) Electric Chararistic			
Item		Specify	Performance
Center Freq.(Fo) +/- 0.5 %		627 MHz	627 MHz
Tunable Range:		627±5 MHz	627±5 MHz
Insertion Loss		Typ. 5.0 dB	3.69 dB
-3 dB Bandwidth		Typ. 8 MHz	11.8 MHz
Sensitivity (Attenuation)	Fo - 20 MHz	Typ. 28 dB	31 dB
	Fo + 20 MHz	Typ. 23 dB	26 dB
	Fo - ()MHz	Typ. dB	dB
	Fo + ()MHz	Typ. dB	dB
Return Loss		Min. 12 dB	29.1 dB
Ripple		< 1 dB	dB
Impedance		In / Out : 75 Ω	In / Out : 75 Ω
(4) Torque for Tuning Screw		> 60gf · cm	
(5) Temperature Condition:			
Operating Temperature		0°C ~ +60°C	
Storage Temperature		20°C ~ +70°C	
(6) Input Power		> 1Watt	

(7) Measuring Circuit: ※Easy to match Impedance S11/S22 75Ω by parallel with about(pF) / (pF).



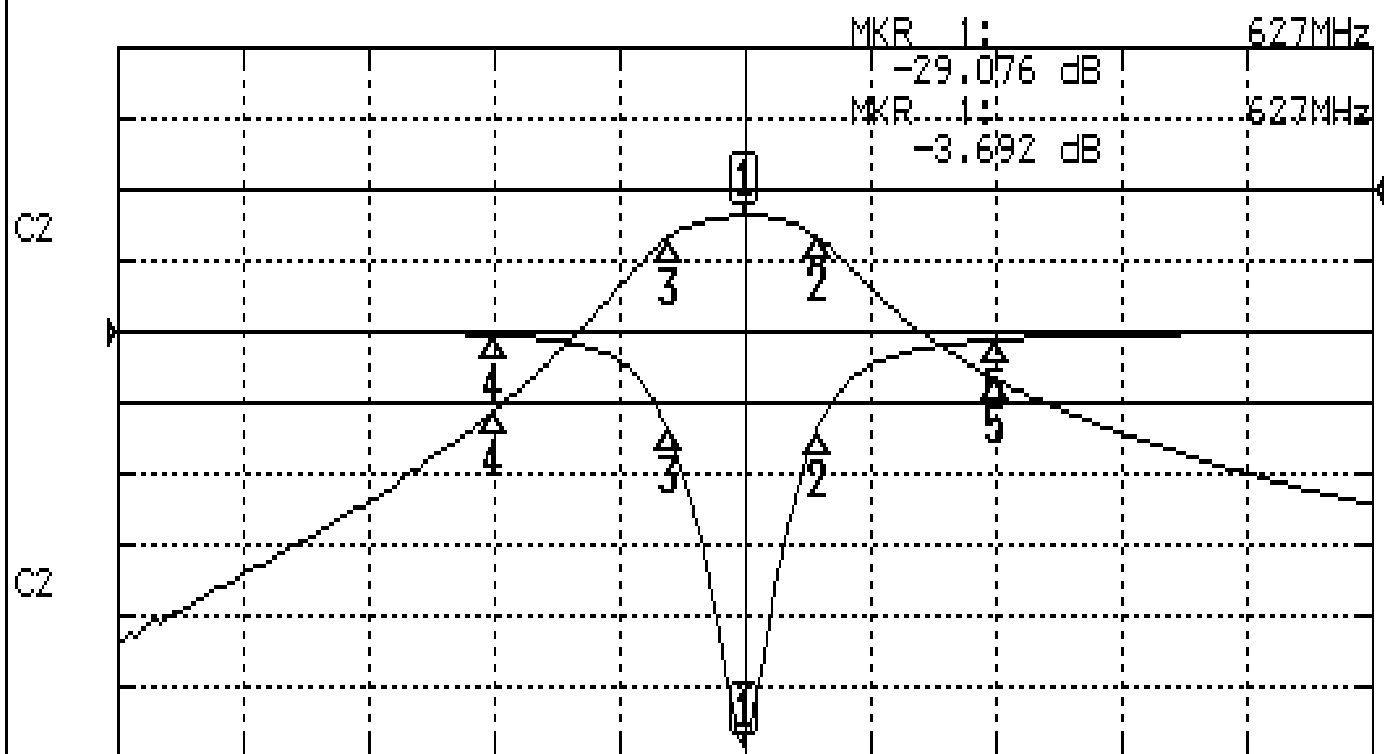
Approval	Supervisor	Designer	Aperture size
C.Y.Chang	C.S.Chang	J.F.Lin	7H3(4*4.65F) 7H046LB4 聚 3

TEMWELL CORPORATION

Performance-TTL63176F-627M

0701097DC

CH1 S11 LOG MAG REF 0.000 dB 5.000 dB/
CH2 S21 LOG MAG REF 0.000 dB 10.000 dB/



CENTER 627MHz

[10.00 dBm]

SPAN 100MHz

CH1 MARKER LIST

1:	627.000MHz	-29.138	dB
2:	632.750MHz	-7.121	dB
3:	620.916MHz	-6.895	dB
4:	607.000MHz	-0.235	dB
5:	647.000MHz	-0.566	dB

CH2 MARKER LIST

1:	627.000MHz	-3.692	dB
2:	632.750MHz	-6.621	dB
3:	620.916MHz	-6.690	dB
4:	607.000MHz	-31.171	dB
5:	647.000MHz	-26.676	dB