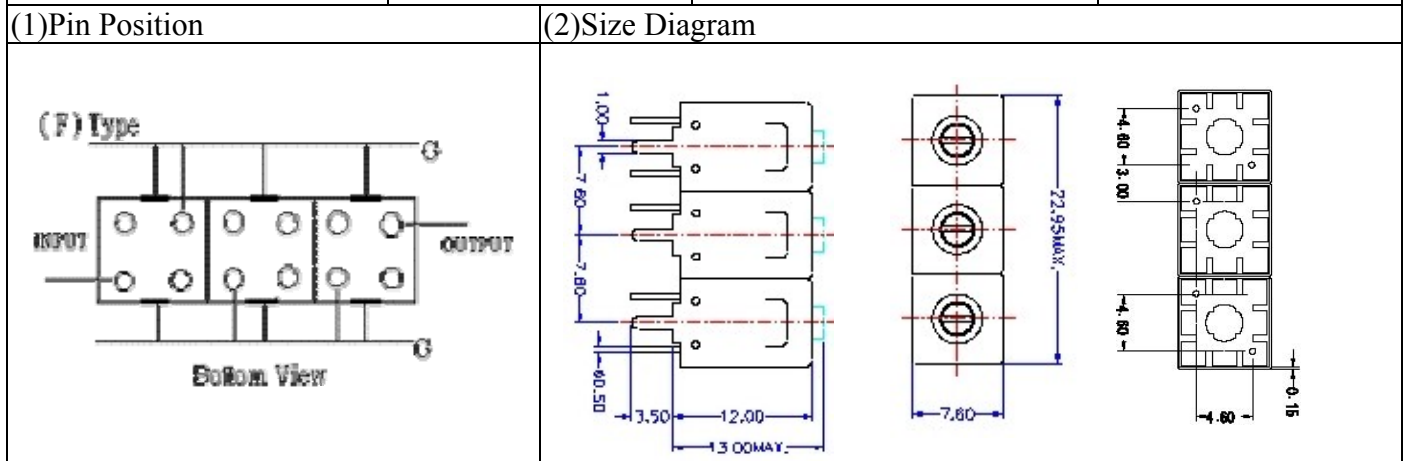


VHF UHF Helical Filter Specification Sheet

Customer Name		Temwell's Part No.	TTL63173F-603M
Approval No. /dated	0701094APR	Acceptable Specify Fo Range.	596~640M
Work Instruction No.	0701094DC	Date	Jan.27.2007



(3) Electric Chararistic

Item	Specify	Performance	
Center Freq.(Fo) +/- 0.5 %	603 MHz	603 MHz	
Tunable Range:	603±5 MHz	603±5 MHz	
Insertion Loss	Typ. 4.5 dB	3.49 dB	
-3 dB Bandwidth	Typ. 8 MHz	11.5 MHz	
Sensitivity (Attenuation)	Fo - 20 MHz	Typ. 27 dB	30 dB
	Fo + 20 MHz	Typ. 21 dB	24 dB
	Fo - ()MHz	Typ. dB	dB
	Fo +()MHz	Typ. dB	dB
Return Loss	Min. 12 dB	23.1 dB	
Ripple	< 1 dB	dB	
Impedance	In / Out : 75 Ω	In / Out : 75 Ω	

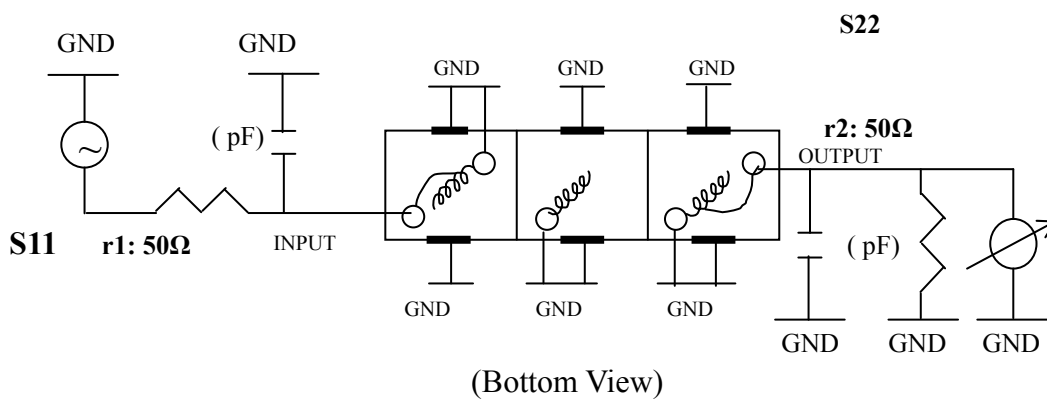
(4) Torque for Tuning Screw > 100gf · cm

(5) Temperature Condition:

Operating Temperature	0°C ~ +60°C
Storage Temperature	20°C ~ +70°C

(6) Input Power > 1Watt

(7) Measuring Circuit: ※Easy to match Impedance S11/S22 75Ω by parallel with about(pF) / (pF).



Approval	Supervisor	Designer	Aperture size
C.Y.Chang	C.S.Chang	J.F.Lin	7H3(4*4.65F) 7H046LB4 聚 3

TEMWELL CORPORATION

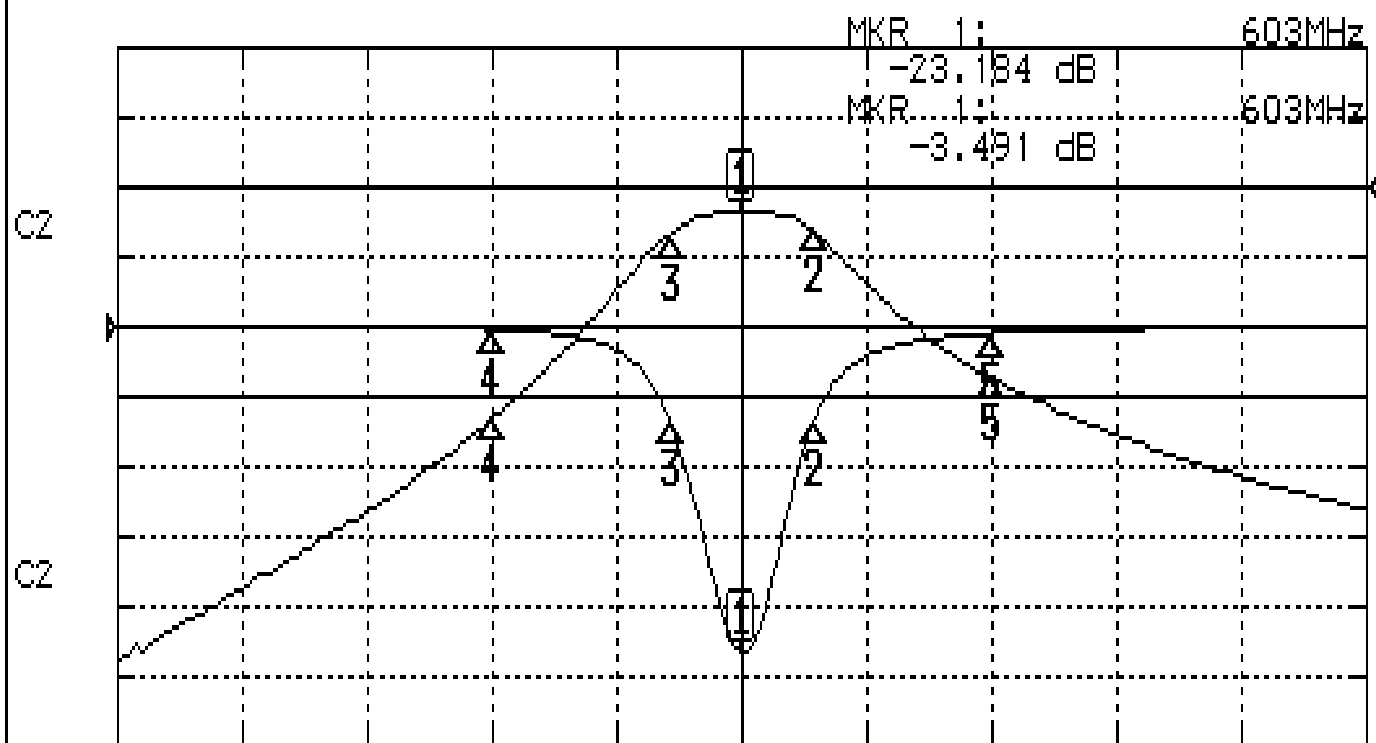
TEMWELL

Form10-7H3F Vision D RP(J.F.Lin)

Performance-TTL63173F-603M

0701094DC

CH1 S11 LOG MAG REF 0.000 dB 5.000 dB/
CH2 S21 LOG MAG REF 0.000 dB 10.000 dB/



CENTER 603MHz

[10.00 dBm]

SPAN 100MHz

CH1 MARKER LIST

1:	603.000MHz	-23.184 dB
2:	608.833MHz	-6.721 dB
3:	597.333MHz	-6.802 dB
4:	583.000MHz	-0.175 dB
5:	623.000MHz	-0.458 dB

CH2 MARKER LIST

1:	603.000MHz	-3.491 dB
2:	608.833MHz	-6.400 dB
3:	597.333MHz	-6.455 dB
4:	583.000MHz	-33.173 dB
5:	623.000MHz	-27.224 dB