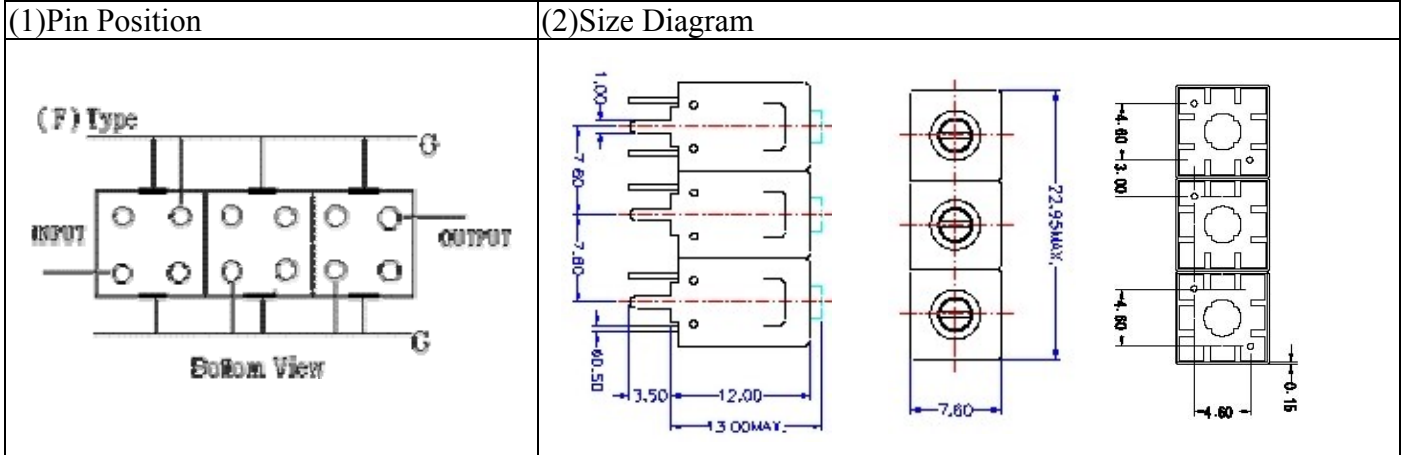


VHF UHF Helical Filter Specification Sheet

Customer Name		Temwell's Part No.	TTL63172F-595M
Approval No. /dated	0907039CD	Temwell's print name	63172F 595M
Work Instruction No.	200907039CD	Date	Jul.27.2009



(3) Electric Chararistic

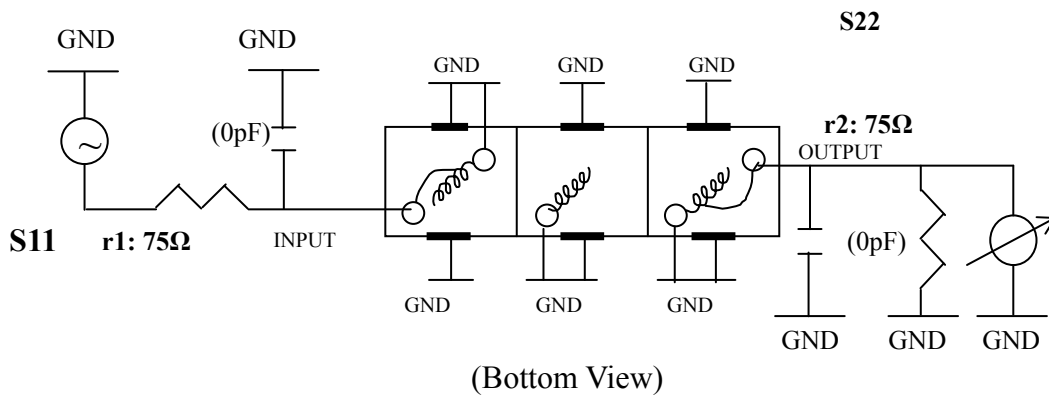
Item	Specify	Performance
Center Freq.(Fo) +/- 0.5 %	595 MHz	595 MHz
Insertion Loss	Typ. 4.5 dB	3.83 dB
-3 dB Bandwidth	Typ. 8 MHz	11.6 MHz
Sensitivity (Attenuation)	Fo - 20 MHz	Typ. 35 dB
	Fo + 20 MHz	Typ. 25 dB
	Fo - ()MHz	Typ. dBc
	Fo +()MHz	Typ. dBc
Return Loss	Min. 12 dB	35.8 dB
Ripple	< 1 dB	dB
Impedance	In / Out : 75 Ω	In / Out : 75 Ω
(4) Torque for Tuning Screw	> 100gf · cm	

(5) Temperature Condition:

Operating Temperature	0°C ~ +60°C
Storage Temperature	-20°C ~ +70°C

(6) Input Power

(7) Measuring Circuit: ※Easy to match Impedance S11/S22 75Ω by parallel with about(0pF) / (0pF).



Approval	Supervisor	Designer	Aperture size
C.Y.Chang	C.K.Chang	C.S.Chang	7H3(4*5.5F)(5.56) 7H046LB4.3 聚 3
TEMWELL CORPORATION			

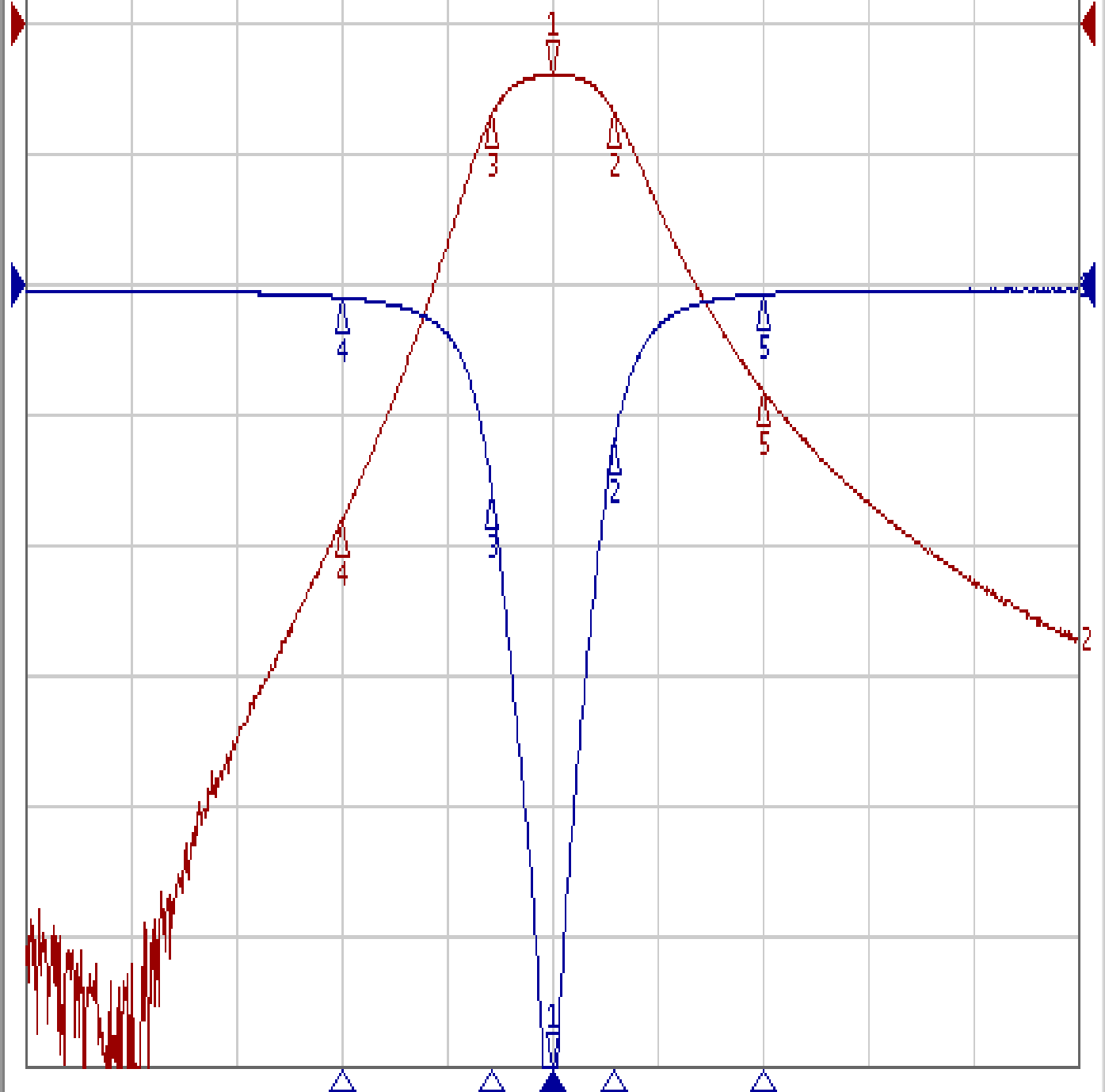
Performance-TTL63172F-595M

200907039CD

Tr1 S11 Log Mag 5.000dB/ Ref 0.000dB [F2]
Tr2 S21 Log Mag 10.00dB/ Ref 0.000dB [F2]

1	595.00000 MHz	-3.8323 dB
2	600.98700 MHz	-6.8373 dB
3	589.32600 MHz	-6.8415 dB
4	575.00000 MHz	-38.183 dB
5	615.00000 MHz	-28.067 dB

>1	595.00000 MHz	-35.866 dB
2	600.98700 MHz	-5.9089 dB
3	589.32600 MHz	-8.0249 dB
4	575.00000 MHz	-0.4754 dB
5	615.00000 MHz	-0.3470 dB



1 Center 595 MHz

IFBW 10 kHz

Span 100 MHz Cor !