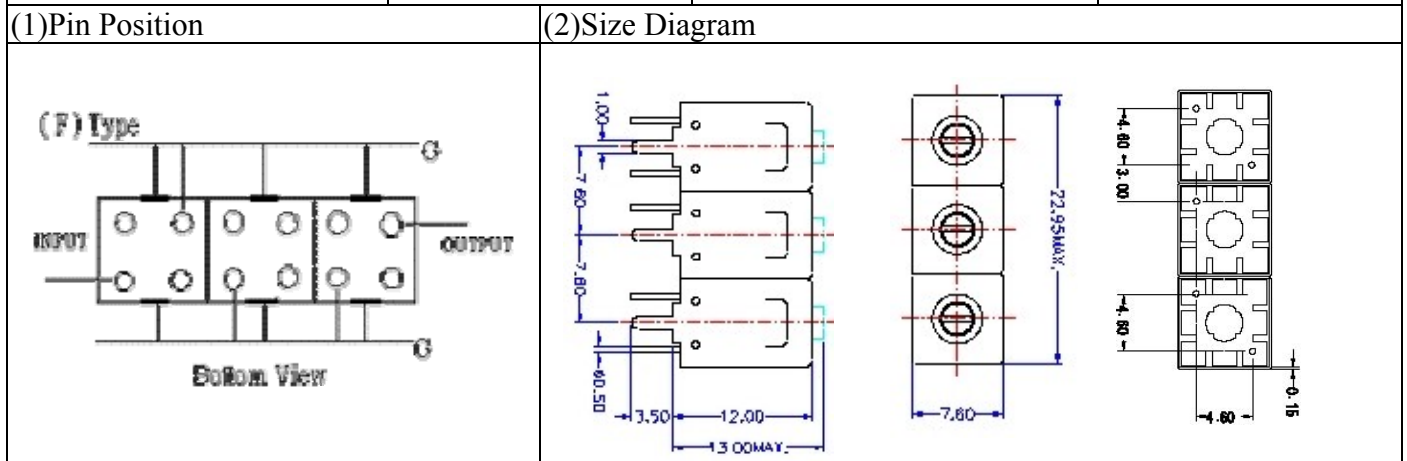


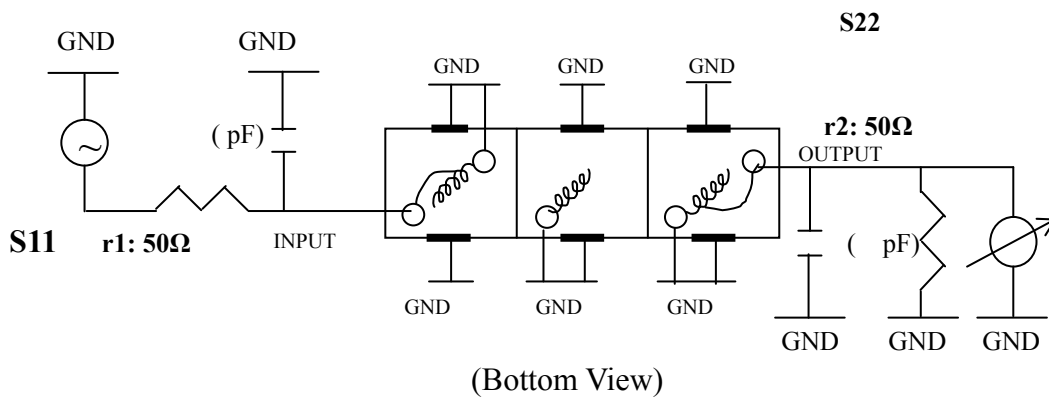
VHF UHF Helical Filter Specification Sheet

Customer Name		Temwell's Part No.	TTL63171F-587M
Approval No. /dated	0701092APR	Acceptable Specify Fo Range.	556~595
Work Instruction No.	0701092DC	Date	Jan.23.2007



(3) Electric Chararistic			
Item		Specify	Performance
Center Freq.(Fo) +/- 0.5 %		587 MHz	587 MHz
Tunable Range:		587±5 MHz	587±5 MHz
Insertion Loss		Typ. 4.5 dB	3.79 dB
-3 dB Bandwidth		Typ. 8 MHz	10.7 MHz
Sensitivity (Attenuation)	Fo - 15 MHz	Typ. 20 dB	23 dB
	Fo + 15 MHz	Typ. 17 dB	20 dB
	Fo - ()MHz	Typ. dB	dB
	Fo +()MHz	Typ. dB	dB
Return Loss		Min. 12 dB	23.6 dB
Ripple		< 1 dB	dB
Impedance		In / Out : 75 Ω	In / Out : 75 Ω
(4) Torque for Tuning Screw		> 100gf · cm	
(5) Temperature Condition:			
Operating Temperature		0°C ~ +60°C	
Storage Temperature		20°C ~ +70°C	
(6) Input Power		> 1Watt	

(7) Measuring Circuit: ※Easy to match Impedance S11/S22 75Ω by parallel with about(pF) / (pF).

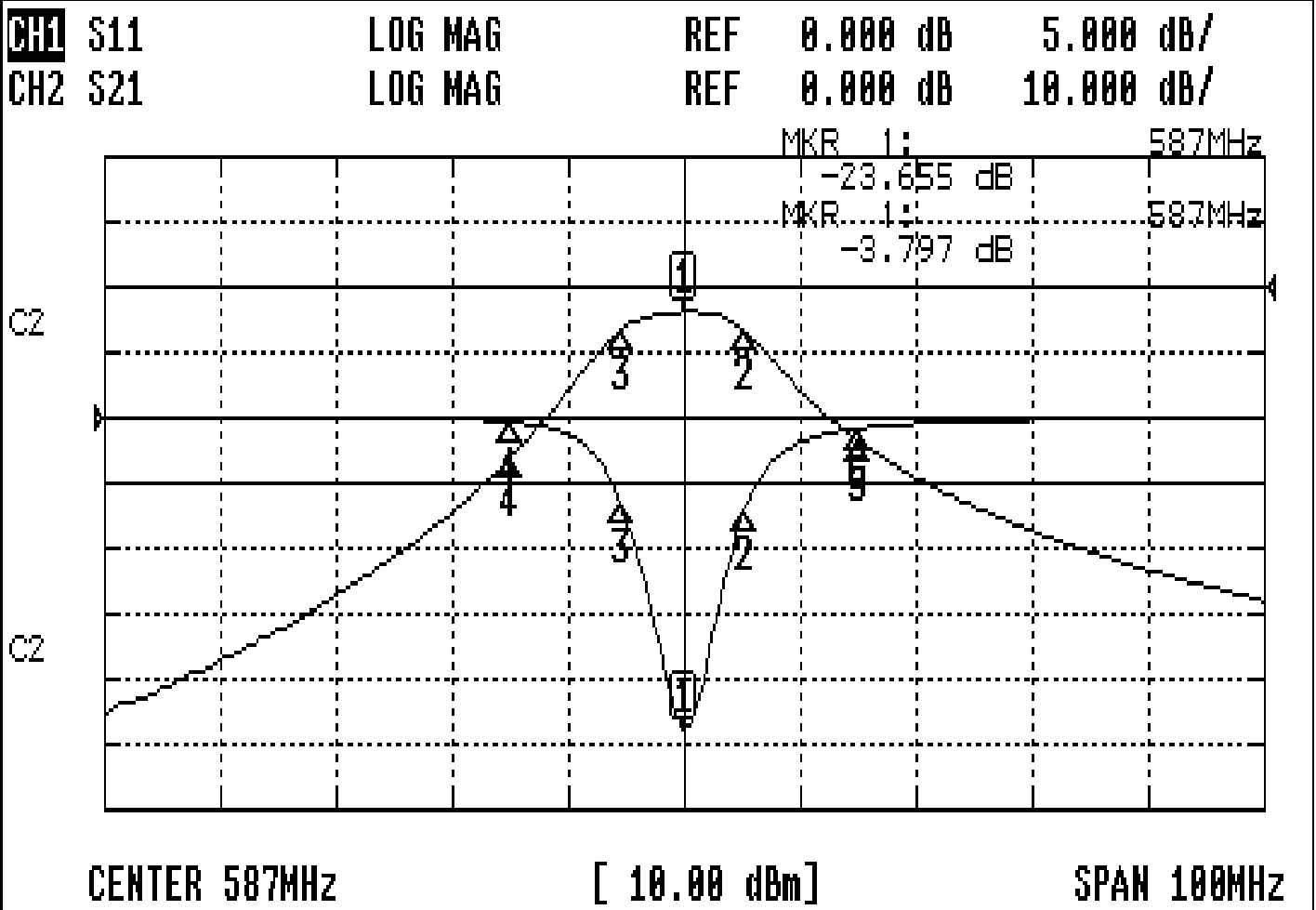


Approval	Supervisor	Designer	Aperture size
C.Y.Chang	C.S.Chang	J.F.Lin	7H2(4*4.65F) 7H046LB4 聚 3

TEMWELL CORPORATION

Performance-TTL63171F-587M

0701092DC



CH1 MARKER LIST

Marker	Frequency (MHz)	Magnitude (dB)
1	587.000	-23.655
2	592.250	-7.070
3	581.500	-6.330
4	572.000	-0.306
5	602.000	-0.791

CH2 MARKER LIST

Marker	Frequency (MHz)	Magnitude (dB)
1	587.000	-3.797
2	592.250	-16.730
3	581.500	-16.763
4	572.000	-26.167
5	602.000	-23.504