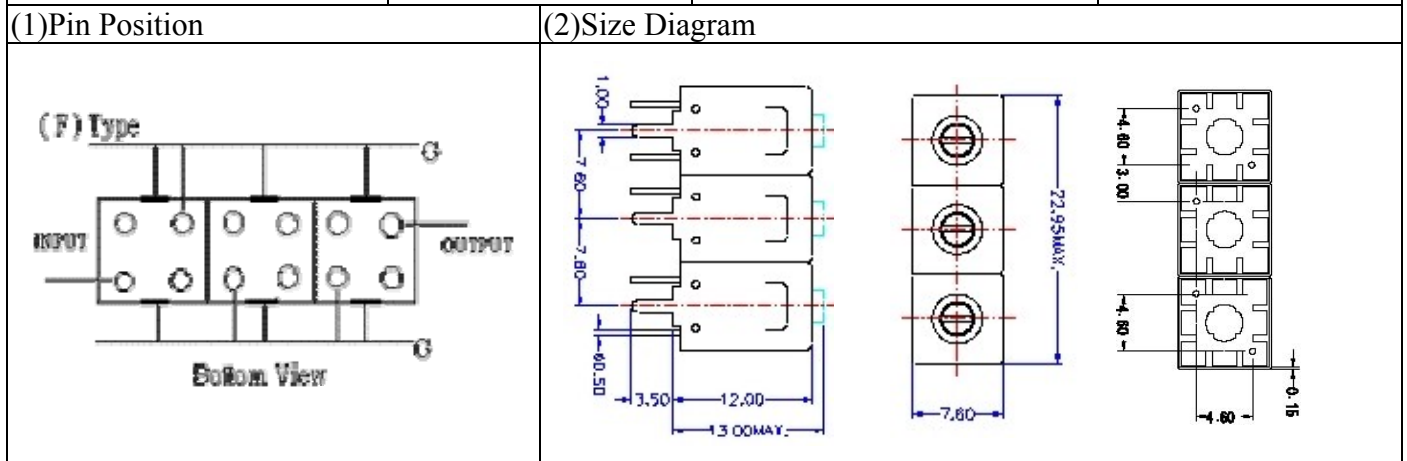


VHF UHF Helical Filter Specification Sheet

Customer Name		Temwell's Part No.	TTL63170F-579M
Approval No. /dated	0907038CD	Temwell's print name	63172F 595M
Work Instruction No.	200907038CD	Date	Jul.27.2009



(3) Electric Characteristic

Item	Specify	Performance
Center Freq.(Fo) +/- 0.5 %	579 MHz	579 MHz
Insertion Loss	Typ. 4.5 dB	3.65 dB
-3 dB Bandwidth	Typ. 8 MHz	11.9 MHz
Sensitivity (Attenuation)	Fo - 20 MHz	Typ. 35 dB
	Fo + 20 MHz	Typ. 24 dB
	Fo - ()MHz	Typ. dBc
	Fo +()MHz	Typ. dBc
Return Loss	Min. 12 dB	29.7 dB
Ripple	< 1 dB	dB
Impedance	In / Out : 75 Ω	In / Out : 75 Ω

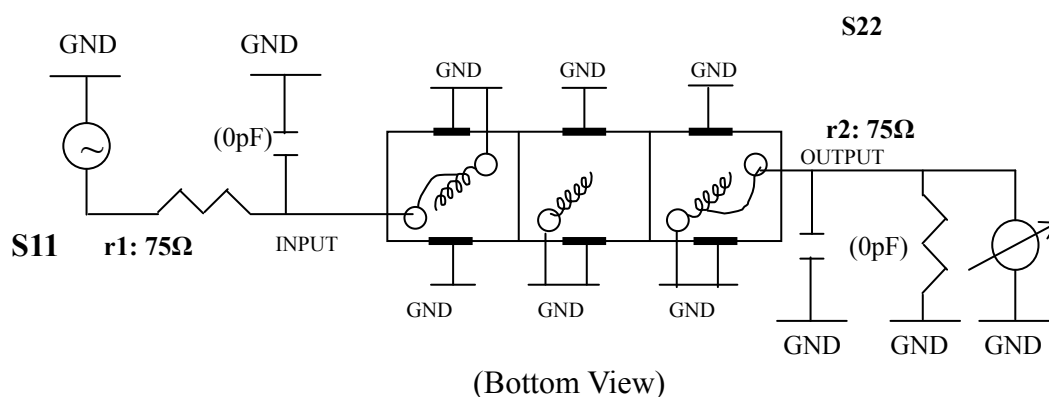
(4) Torque for Tuning Screw > 100gf • cm

(5) Temperature Condition:

Operating Temperature	0°C ~ +60°C
Storage Temperature	-20°C ~ +70°C

(6) Input Power > 1Watt

(7) Measuring Circuit: ※Easy to match Impedance S11/S22 75Ω by parallel with about(0pF) / (0pF).



Approval C.Y.Chang	Supervisor C.K.Chang	Designer C.S.Chang	Aperture size 7H3(4*5.5F)(5.54) 7H046LB4.3 聚 3
-----------------------	-------------------------	-----------------------	--

TEMWELL CORPORATION

TEMWELL

Form10-7H3F Vision D

RP(C.S.C)

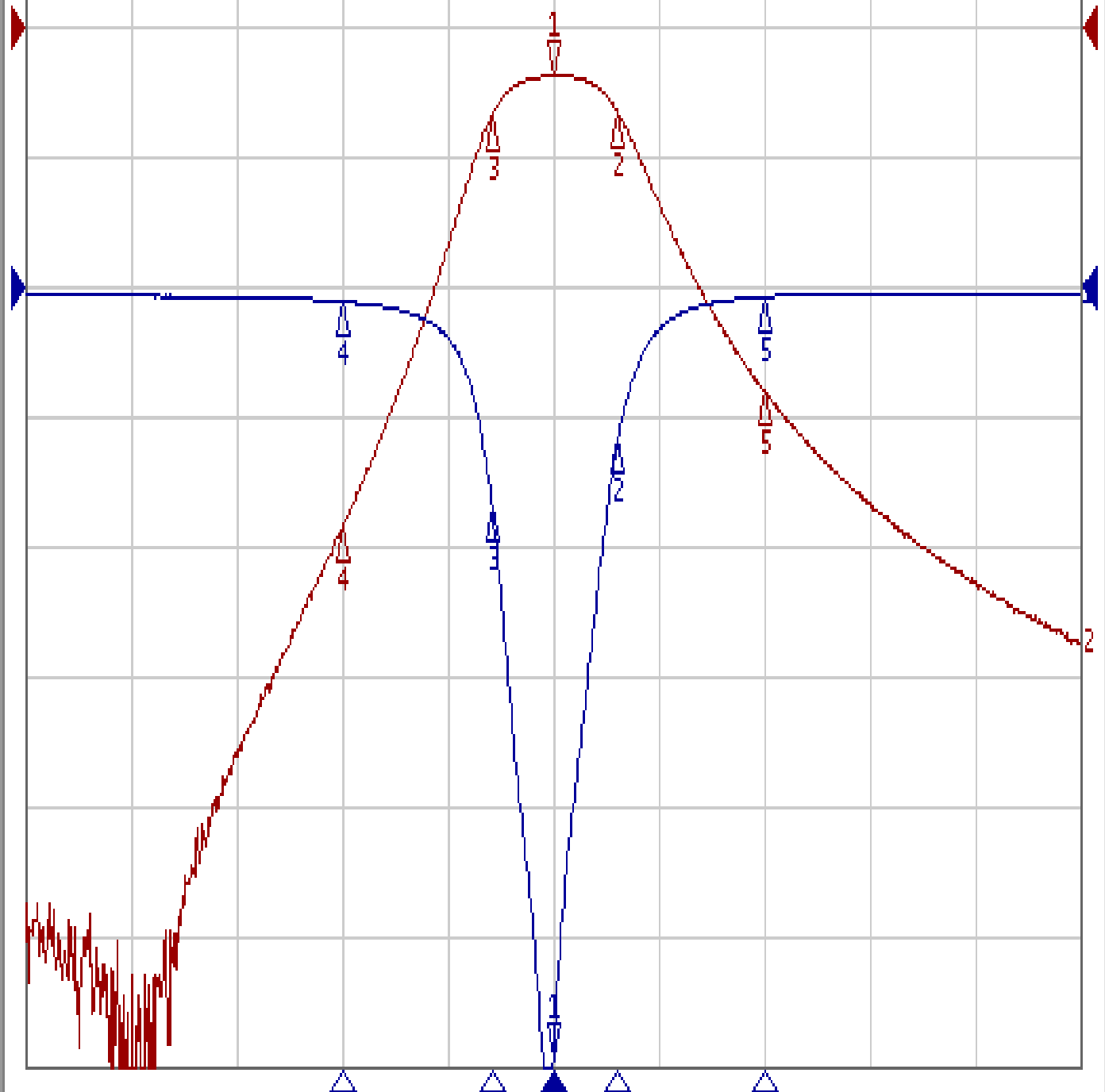
Performance-TTL63170F-579M

200907038CD

Tr1 S11 Log Mag 5.000dB/ Ref 0.000dB [F2]
Tr2 S21 Log Mag 10.00dB/ Ref 0.000dB [F2]

1	579.00000 MHz	-3.6527 dB
2	585.19900 MHz	-6.6184 dB
3	573.20100 MHz	-6.6657 dB
4	559.00000 MHz	-38.520 dB
5	599.00000 MHz	-27.944 dB

>1	579.00000 MHz	-29.734 dB
2	585.19900 MHz	-5.7570 dB
3	573.20100 MHz	-8.4379 dB
4	559.00000 MHz	-0.5218 dB
5	599.00000 MHz	-0.3407 dB



1 Center 579 MHz

IFBW 10 kHz

Span 100 MHz Cor !