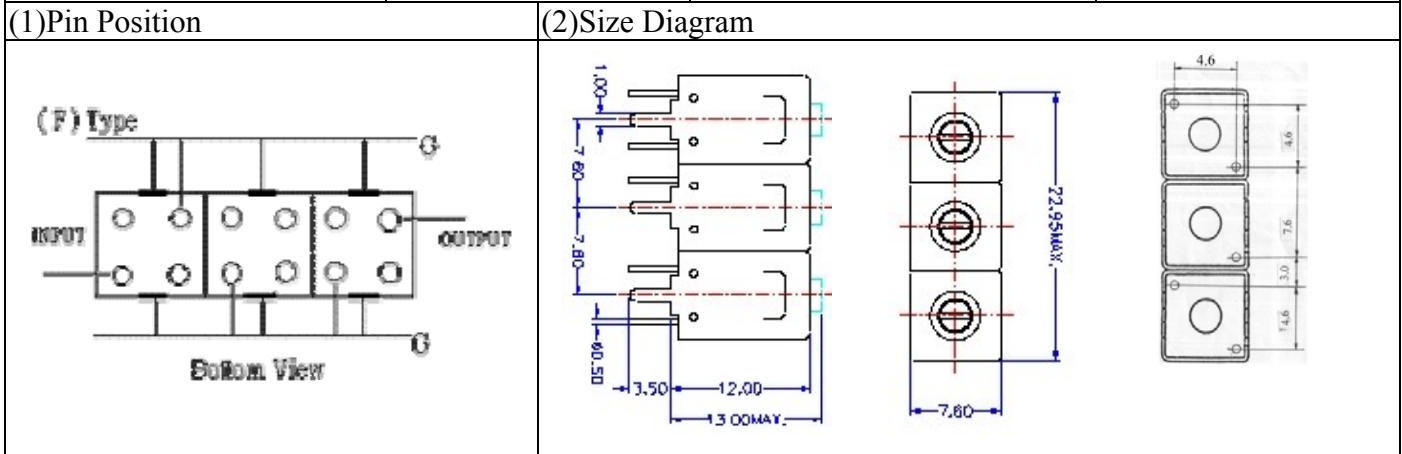
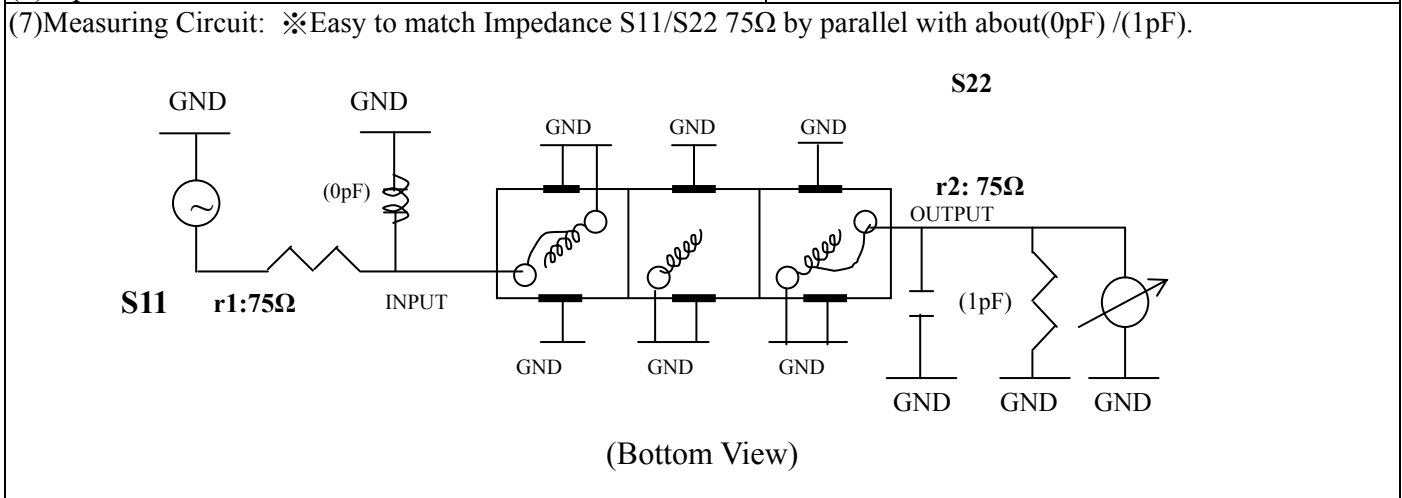


VHF UHF Helical Filter Specification Sheet

Customer Name		Temwell's Part No.	TTL6316F-489.25M
Approval No. /dated	0611041APR	Acceptable Specify Fo Range	456~515 MHz
Work Instruction No.	0611041DC	Date	Nov.23.2006



(3) Electric Character			
Item		Specify	Performance
Center Freq.(Fo) +/- 0.5 %		489.25 MHz	489.25 MHz
Tunable Range		489.25±5 MHz	489.25±5 MHz
Insertion Loss		Typ. 5.5 dB	4.39 dB
-3 dB Bandwidth		Typ. 6 MHz	8.9 MHz
Sensitivity (Attenuation)	Fo - 15 MHz	Typ. 30 dB	33 dB
	Fo + 15 MHz	Typ. 24 dB	27 dB
	Fo - ()MHz	Typ. dB	dB
	Fo +()MHz	Typ. dB	dB
Return Loss		Min. 12 dB	30.6 dB
Ripple		< 1 dB	dB
Impedance		In / Out : 75 Ω	In / Out : 75 Ω
(4) Torque for Tuning Screw		> 100gf • cm	
(5) Temperature Condition:			
Operating Temperature		0°C ~ +60°C	
Storage Temperature		-20°C ~ +70°C	
(6) Input Power		> 1Watt	

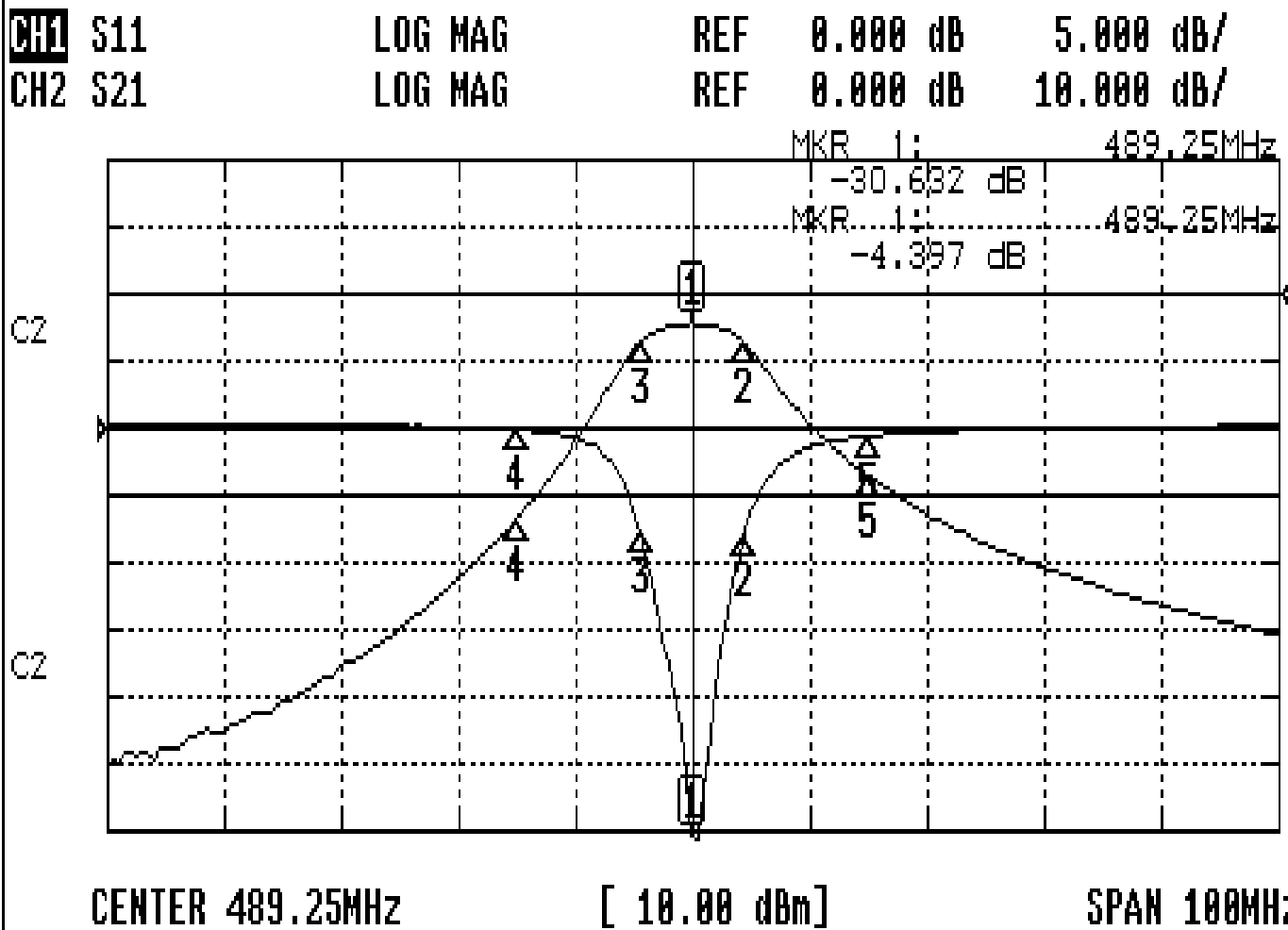


Approval	Supervisor	Designer	Aperture size
C.Y.Chang	C.S.Chang	W.W.Wang	7H3(4*5.5)F 7H046LB4 聚 3

TEMWELL CORPORATION

Performance-TTL6316F-489.25M

0611041DC



CH1 MARKER LIST

Marker	Frequency (MHz)	Magnitude (dB)
1	489.250	-30.632
2	493.666	-7.962
3	484.750	-7.596
4	474.250	-0.071
5	504.250	-0.548

CH2 MARKER LIST

Marker	Frequency (MHz)	Magnitude (dB)
1	489.250	-4.397
2	493.666	-7.454
3	484.750	-7.349
4	474.250	-33.471
5	504.250	-27.164