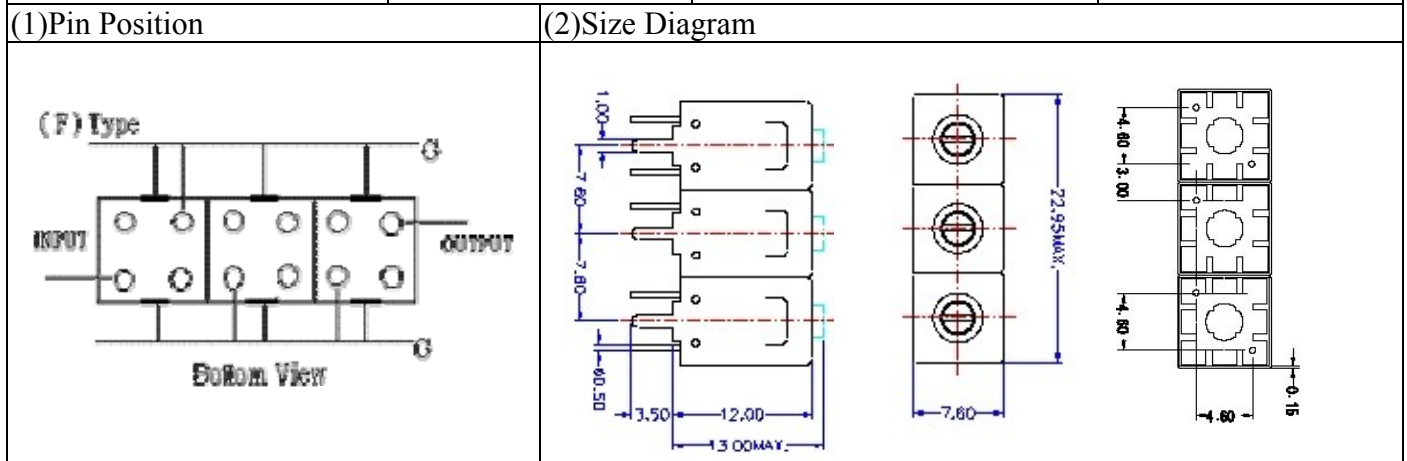


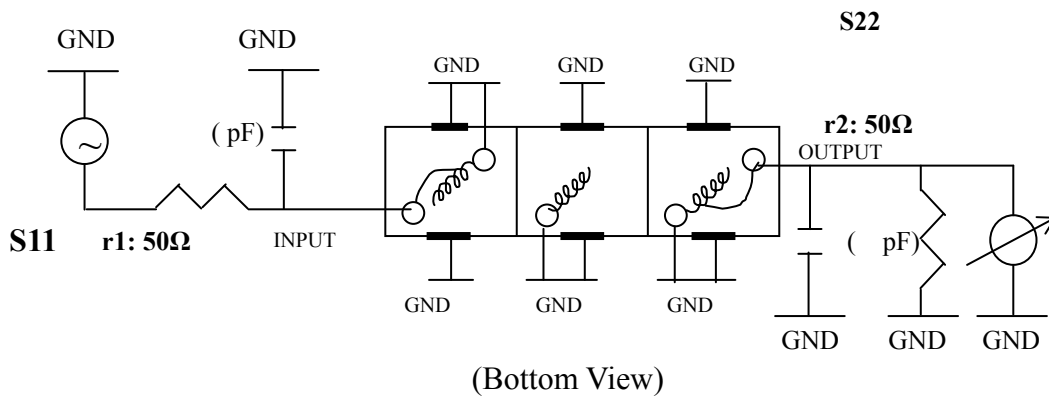
VHF UHF Helical Filter Specification Sheet

Customer Name		Temwell's Part No.	TTL63169F-571M
Approval No. /dated	0701090APR	Acceptable Specify Fo Range.	556~595
Work Instruction No.	0701090DC	Date	Jan.23.2007



(3) Electric Characteristic			
Item		Specify	Performance
Center Freq.(Fo) +/- 0.5 %		571 MHz	571 MHz
Tunable Range:		571±5 MHz	571±5 MHz
Insertion Loss		Typ. 5.0 dB	3.99 dB
-3 dB Bandwidth		Typ. 7 MHz	10.4 MHz
Sensitivity (Attenuation)	Fo - 15 MHz	Typ. 21 dB	24 dB
	Fo + 15 MHz	Typ. 19 dB	22 dB
	Fo - ()MHz	Typ. dB	dB
	Fo +()MHz	Typ. dB	dB
Return Loss		Min. 12 dB	20.7 dB
Ripple		< 1 dB	dB
Impedance		In / Out : 75 Ω	In / Out : 75 Ω
(4) Torque for Tuning Screw		> 100gf · cm	
(5) Temperature Condition:			
Operating Temperature		0°C ~ +60°C	
Storage Temperature		20°C ~ +70°C	
(6) Input Power		> 1Watt	

(7) Measuring Circuit: ※Easy to match Impedance S11/S22 75Ω by parallel with about(pF) / (pF).



Approval	Supervisor	Designer	Aperture size
C.Y.Chang	C.S.Chang	J.F.Lin	7H3(4*4.5F) 7H046LB4 聚 3

TEMWELL CORPORATION

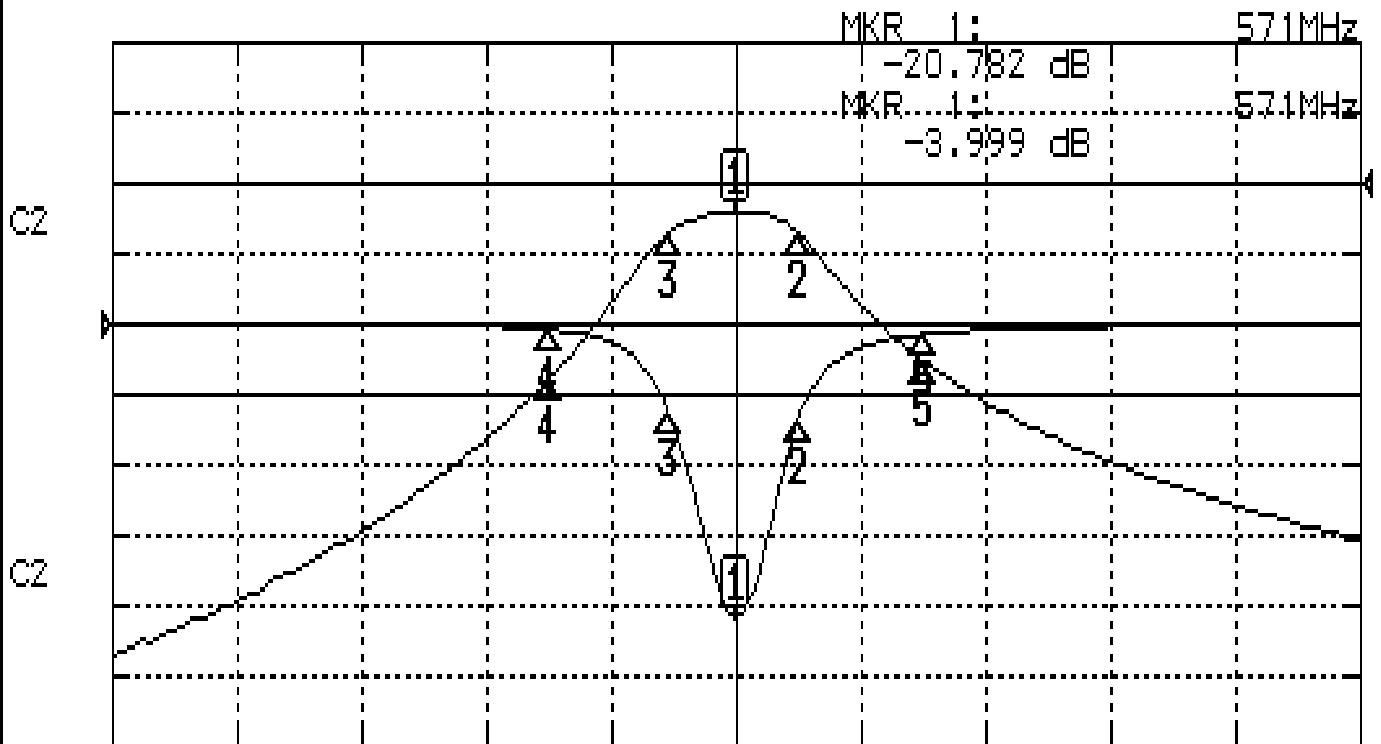
TEMWELL

Form10-7H3F Vision D RP(J.F.Lin)

Performance-TTL63169F-571M

0701090DC

CH1 S11 LOG MAG REF 0.000 dB 5.000 dB/
CH2 S21 LOG MAG REF 0.000 dB 10.000 dB/



CENTER 571MHz

[10.00 dBm]

SPAN 100MHz

CH1 MARKER LIST

1:	571.000MHz	-20.782	dB
2:	576.000MHz	-16.830	dB
3:	565.666MHz	-16.330	dB
4:	556.000MHz	-10.355	dB
5:	586.000MHz	-0.703	dB

CH2 MARKER LIST

1:	571.000MHz	-3.999	dB
2:	576.000MHz	-7.039	dB
3:	565.666MHz	-7.041	dB
4:	556.000MHz	-27.783	dB
5:	586.000MHz	-25.203	dB