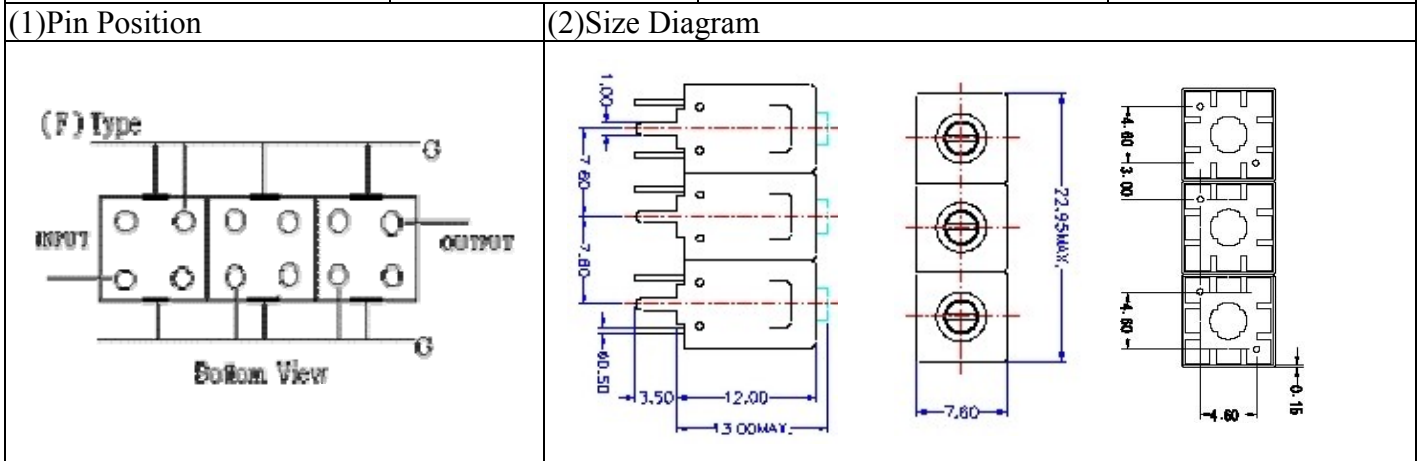


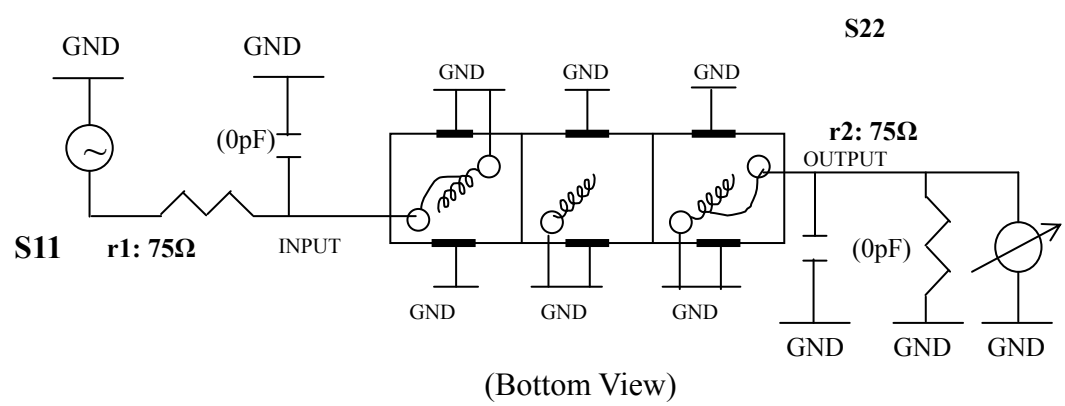
VHF UHF Helical Filter Specification Sheet

Customer Name		Temwell's Part No.	TTL63168F-563M
Approval No. /dated	0907037CD	Temwell's print name	63168F 563M
Work Instruction No.	200907037CD	Date	Jul.24.2009



(3) Electric Characteristic			
Item		Specify	Performance
Center Freq.(Fo) +/- 0.5 %		563 MHz	563 MHz
Insertion Loss		Typ. 4.5 dB	3.75 dB
-3 dB Bandwidth		Typ. 8 MHz	11.7 MHz
Sensitivity (Attenuation)	Fo - 20 MHz	Typ. 36 dB	39 dB
	Fo + 20 MHz	Typ. 26 dB	29 dB
	Fo - ()MHz	Typ. dBc	dBc
	Fo +()MHz	Typ. dBc	dBc
Return Loss		Min. 12 dB	29.5 dB
Ripple		< 1 dB	dB
Impedance		In / Out : 75 Ω	In / Out : 75 Ω
(4) Torque for Tuning Screw		> 100gf · cm	
(5) Temperature Condition:			
Operating Temperature		0°C ~ +60°C	
Storage Temperature		-20°C ~ +70°C	
(6) Input Power		> 1 Watt	

(7) Measuring Circuit: ※Easy to match Impedance S11/S22 75Ω by parallel with about(0pF) / (0pF).



Approval C.Y.Chang	Supervisor C.K.Chang	Designer C.S.Chang	Aperture size 7H3(4*5.5F)(5.53) 7H046LB4.3 聚 3
-----------------------	-------------------------	-----------------------	--

TEMWELL CORPORATION

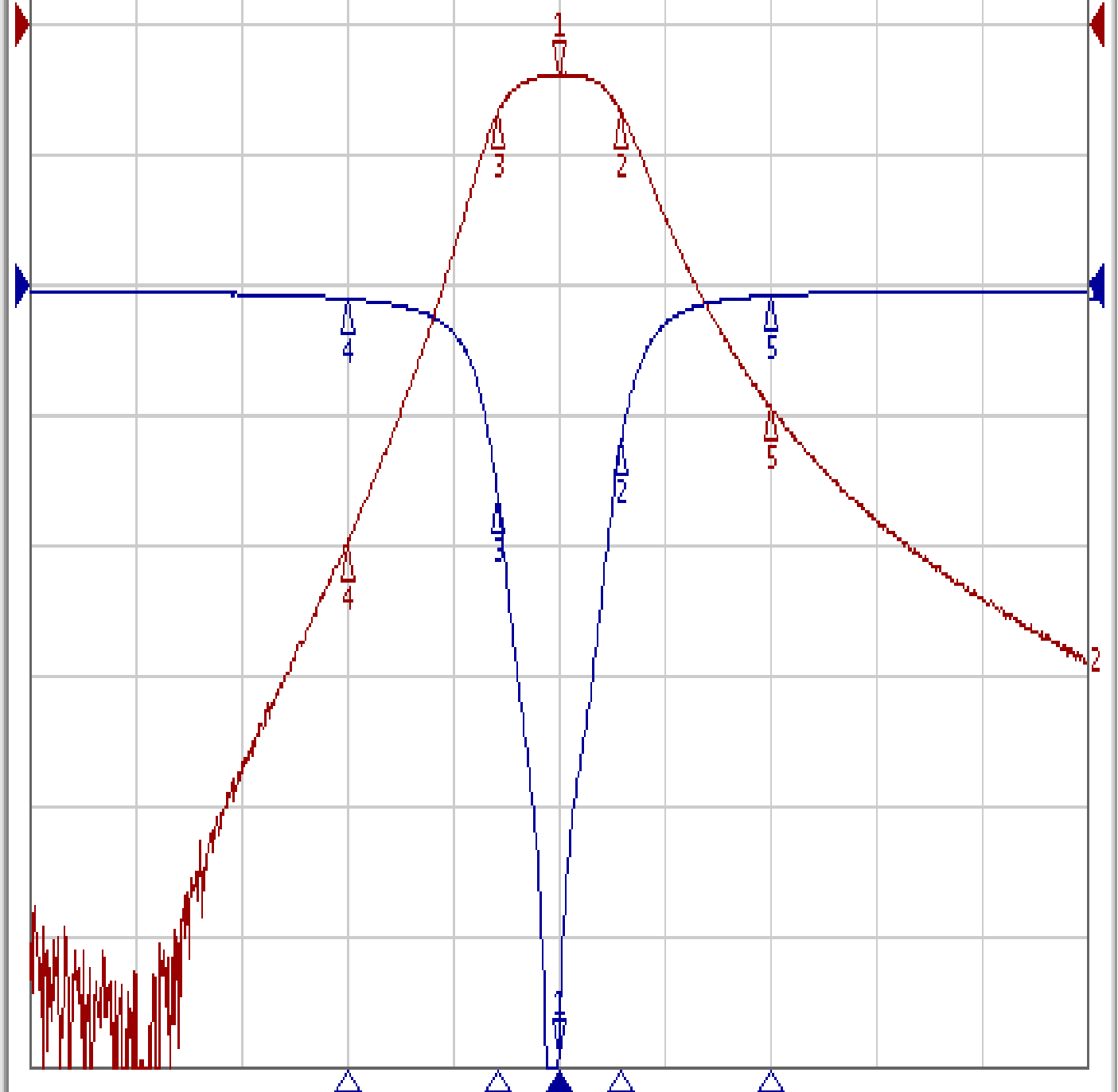
Performance-TTL63168F-563M

200907037CD

Tr1 S11 Log Mag 5.000dB/ Ref 0.000dB [F2]
Tr2 S21 Log Mag 10.000dB/ Ref 0.000dB [F2]

1	563.00000 MHz	-3.7550 dB
2	568.97500 MHz	-6.7756 dB
3	557.25525 MHz	-6.7406 dB
4	543.00000 MHz	-39.901 dB
5	583.00000 MHz	-29.310 dB

>1	563.00000 MHz	-29.571 dB
2	568.97500 MHz	-5.9194 dB
3	557.25525 MHz	-8.1627 dB
4	543.00000 MHz	-0.5082 dB
5	583.00000 MHz	-0.3828 dB



1 Center 563 MHz

IFBW 10 kHz

Span 100 MHz

Cor !