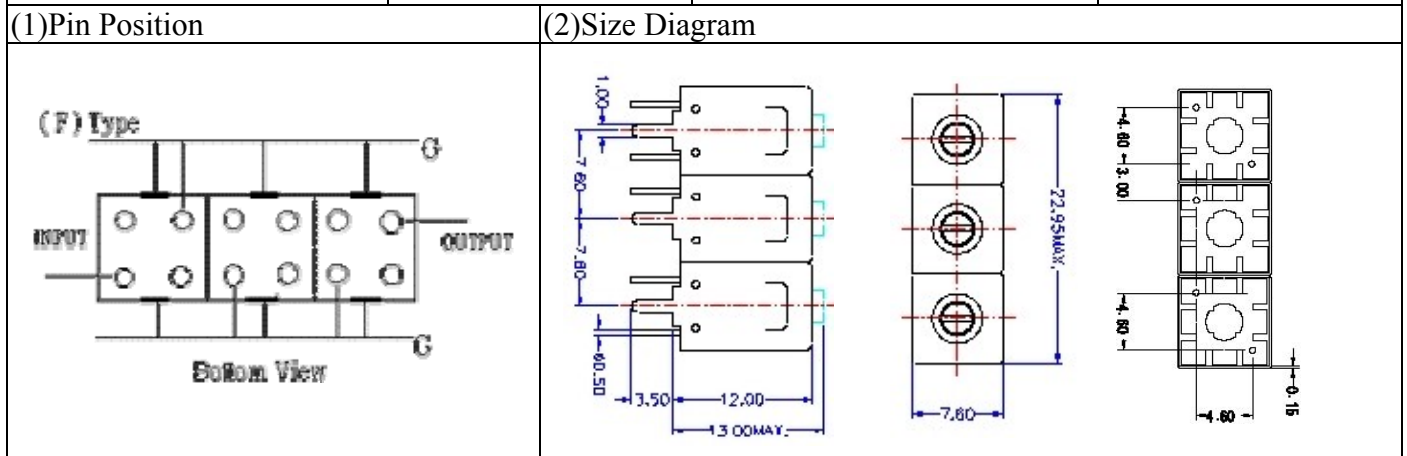


# VHF UHF Helical Filter Specification Sheet

Customer Name		Temwell's Part No.	TTL63166F-547M
Approval No. /dated	0907036CD	Temwell's print name	63166F 547M
Work Instruction No.	200907036CD	Date	Jul.24.2009



### (3) Electric Characteristic

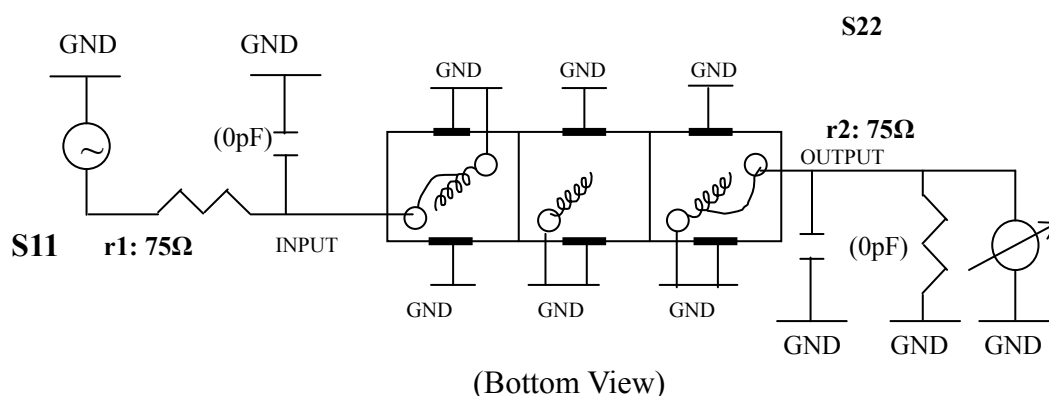
Item	Specify	Performance	
Center Freq.(Fo) +/- 0.5 %	547 MHz	547 MHz	
Insertion Loss	Typ. 4.5 dB	3.86 dB	
-3 dB Bandwidth	Typ. 8 MHz	11.4 MHz	
Sensitivity (Attenuation)	Fo - 20 MHz	Typ. 38 dB	41 dB
	Fo + 20 MHz	Typ. 27 dB	30 dB
	Fo - ( )MHz	Typ. dBc	dBc
	Fo +( )MHz	Typ. dBc	dBc
Return Loss	Min. 12 dB	25.5 dB	
Ripple	< 1 dB	dB	
Impedance	In / Out : 75 Ω	In / Out : 75 Ω	
(4) Torque for Tuning Screw	> 100gf · cm		

### (5) Temperature Condition:

Operating Temperature	0°C ~ +60°C
Storage Temperature	-20°C ~ +70°C

### (6) Input Power

(7) Measuring Circuit: ※Easy to match Impedance S11/S22 75Ω by parallel with about( 0pF) / (0pF).



Approval	Supervisor	Designer	Aperture size
C.Y.Chang	C.K.Chang	C.S.Chang	7H3(4*5.5F)(5.56) 7H046LB4.3 聚 3

TEMWELL CORPORATION

TEMWELL

Form10-7H3F Vision D

RP(C.S.C)

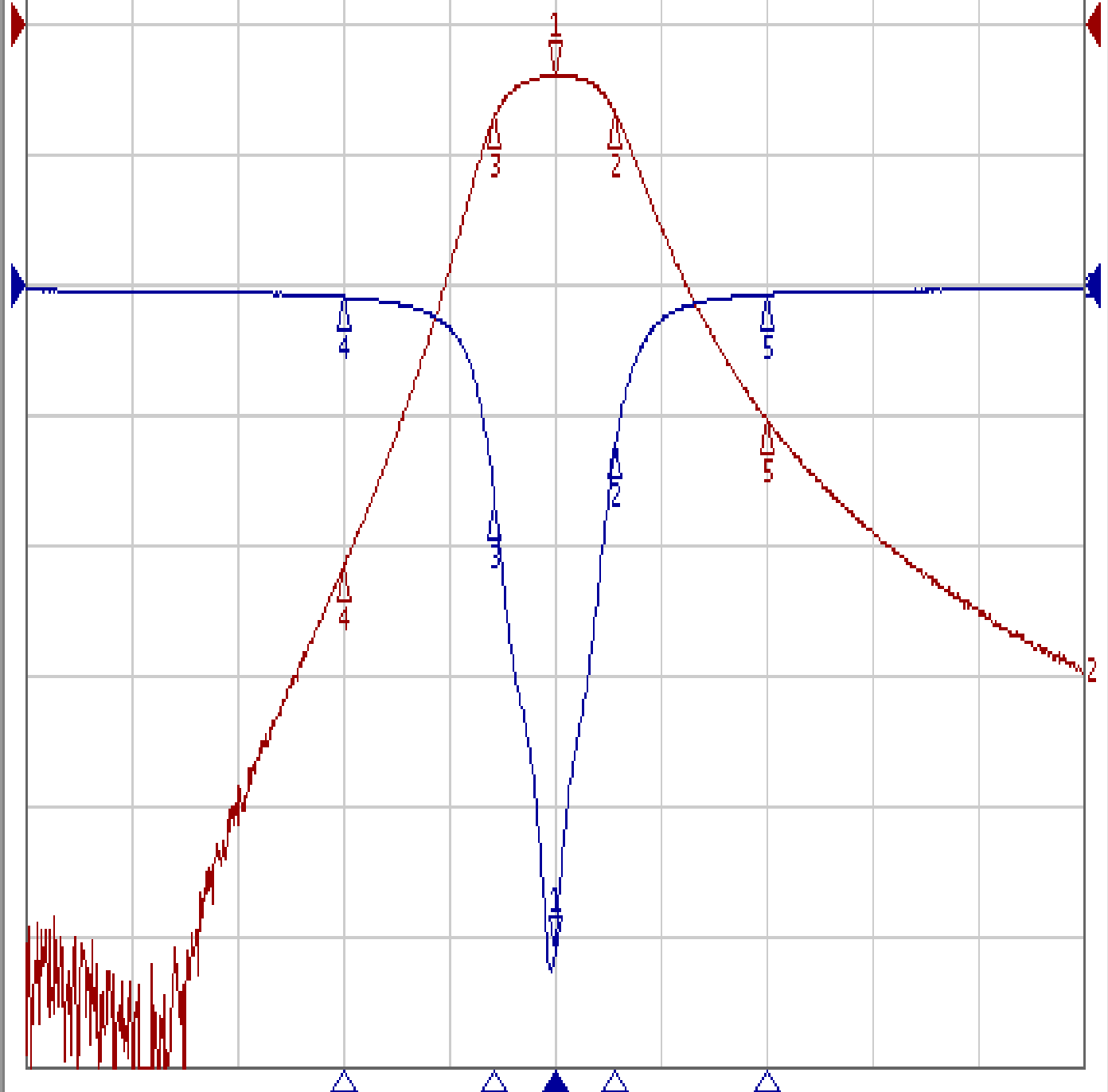
# Performance-TTL63166F-547M

## 200907036CD

Tr1 S11 Log Mag 5.000dB/ Ref 0.000dB [F2]  
Tr2 S21 Log Mag 10.00dB/ Ref 0.000dB [F2]

1	547.00000 MHz	-3.8647 dB
2	552.78775 MHz	-6.8395 dB
3	541.39800 MHz	-6.8864 dB
4	527.00000 MHz	-41.616 dB
5	567.00000 MHz	-30.300 dB

>1	547.00000 MHz	-25.580 dB
2	552.78775 MHz	-6.0730 dB
3	541.39800 MHz	-8.4895 dB
4	527.00000 MHz	-0.4388 dB
5	567.00000 MHz	-0.3334 dB



1 Center 547 MHz

IFBW 10 kHz

Span 100 MHz

Cor !