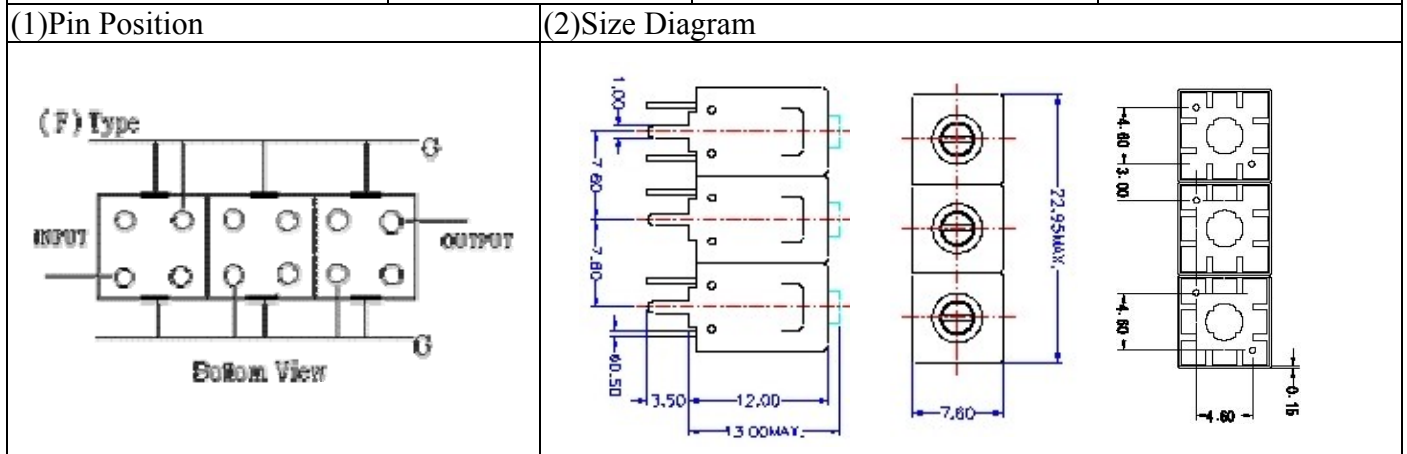


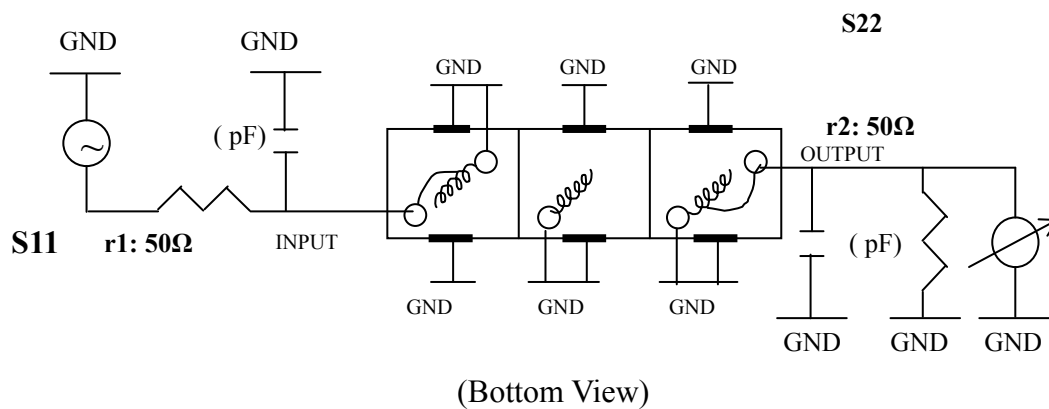
# VHF UHF Helical Filter Specification Sheet

Customer Name		Temwell's Part No.	TTL63165F-539M
Approval No. /dated	0701086APR	Acceptable Specify Fo Range.	516~555MHz
Work Instruction No.	0701086DC	Date	Jan.29.2007



(3) Electric Characteristic			
Item		Specify	Performance
Center Freq.(Fo) +/- 0.5 %		539 MHz	539 MHz
Tunable Range:		539±5 MHz	539±5 MHz
Insertion Loss		Typ. 5.5 dB	3.72 dB
-3 dB Bandwidth		Typ. 8 MHz	10.6 MHz
Sensitivity (Attenuation)	Fo - 15 MHz	Typ. 23 dB	26 dB
	Fo + 15 MHz	Typ. 19 dB	22 dB
	Fo - ( )MHz	Typ. dB	dB
	Fo +( )MHz	Typ. dB	dB
Return Loss		Min. 12 dB	28.0 dB
Ripple		< 1 dB	dB
Impedance		In / Out : 75 Ω	In / Out : 75 Ω
(4) Torque for Tuning Screw		> 100gf • cm	
(5) Temperature Condition:			
Operating Temperature		0°C ~ +60°C	
Storage Temperature		20°C ~ +70°C	
(6) Input Power		> 1Watt	

(7) Measuring Circuit: ※Easy to match Impedance S11/S22 75Ω by parallel with about( pF) / ( pF).



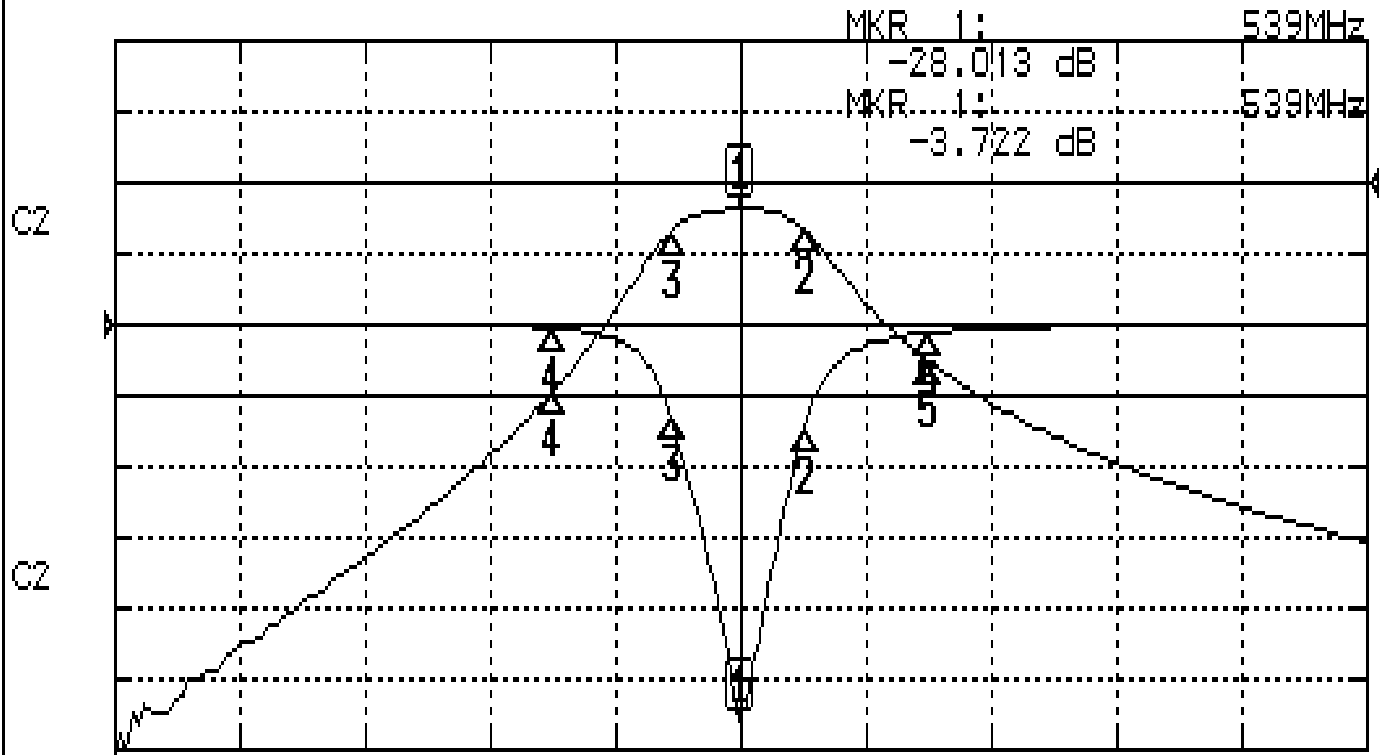
Approval	Supervisor	Designer	Aperture size
C.Y.Chang	C.S.Chang	J.F.Lin	7H3(4*4.65F) 7H046LB4 聚 3

TEMWELL CORPORATION

# Performance-TTL63165F-539M

## 0701086DC

CH1 S11 LOG MAG REF 0.000 dB 5.000 dB/  
CH2 S21 LOG MAG REF 0.000 dB 10.000 dB/



CENTER 539MHz

[ 10.00 dBm ]

SPAN 100MHz

### CH1 MARKER LIST

1:	539.000MHz	-28.013	dB
2:	544.166MHz	-7.094	dB
3:	533.583MHz	-6.739	dB
4:	524.000MHz	-0.230	dB
5:	554.000MHz	-0.557	dB

### CH2 MARKER LIST

1:	539.000MHz	-3.723	dB
2:	544.166MHz	-16.682	dB
3:	533.583MHz	-11.689	dB
4:	524.000MHz	-20.457	dB
5:	554.000MHz	-25.216	dB