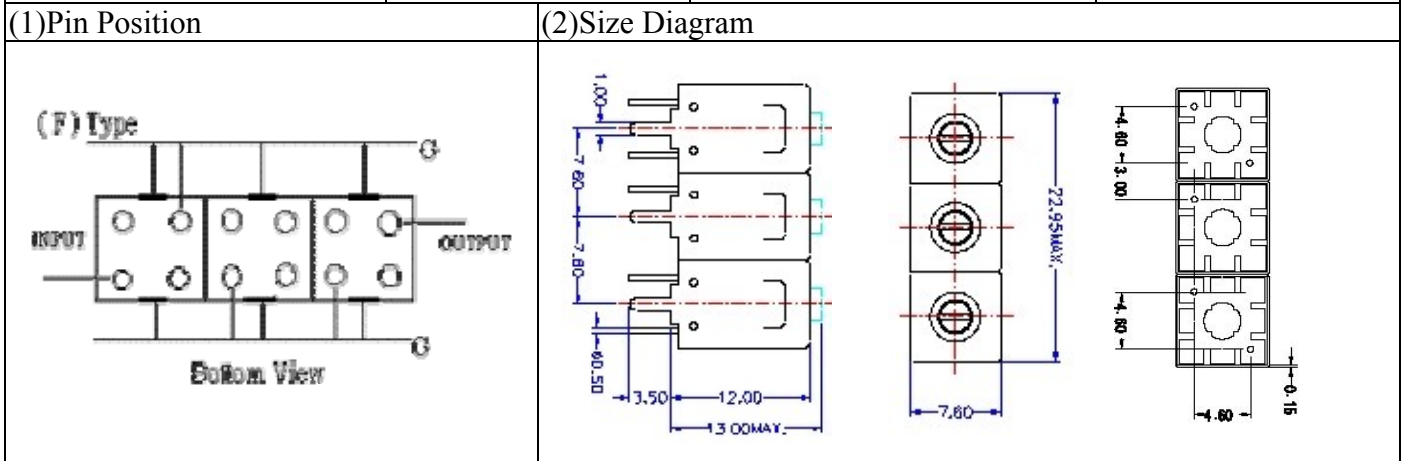


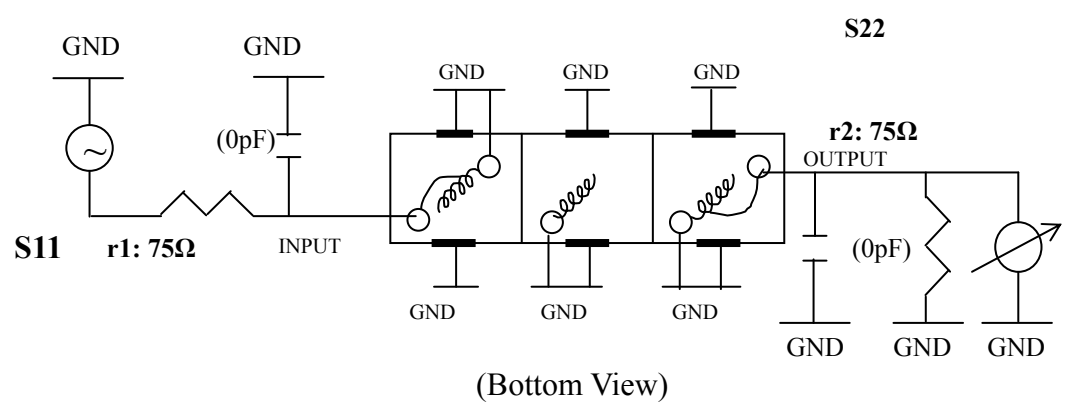
VHF UHF Helical Filter Specification Sheet

Customer Name		Temwell's Part No.	TTL63163F-523M
Approval No. /dated	0907035CD	Temwell's print name	63163F 523M
Work Instruction No.	200907035CD	Date	Jul.23.2009



(3) Electric Characteristic			
Item		Specify	Performance
Center Freq.(Fo) +/- 0.5 %		523 MHz	523 MHz
Insertion Loss		Typ. 4.5 dB	3.93 dB
-3 dB Bandwidth		Typ. 8 MHz	11.9 MHz
Sensitivity (Attenuation)	Fo - 15 MHz	Typ. 24 dB	27 dB
	Fo + 15 MHz	Typ. 17 dB	20 dB
	Fo - ()MHz	Typ. dBc	dBc
	Fo +()MHz	Typ. dBc	dBc
Return Loss		Min. 12 dB	28.9 dB
Ripple		< 1 dB	dB
Impedance		In / Out : 75 Ω	In / Out : 75 Ω
(4) Torque for Tuning Screw		> 100gf • cm	
(5) Temperature Condition:			
Operating Temperature		0°C ~ +60°C	
Storage Temperature		-20°C ~ +70°C	
(6) Input Power		> 1Watt	

(7) Measuring Circuit: ※Easy to match Impedance S11/S22 75Ω by parallel with about(0pF) / (0pF).



Approval C.Y.Chang	Supervisor C.K.Chang	Designer C.S.Chang	Aperture size 7H3(4*5.5F)(5.51) 7H046LB4.3 聚 3
-----------------------	-------------------------	-----------------------	--

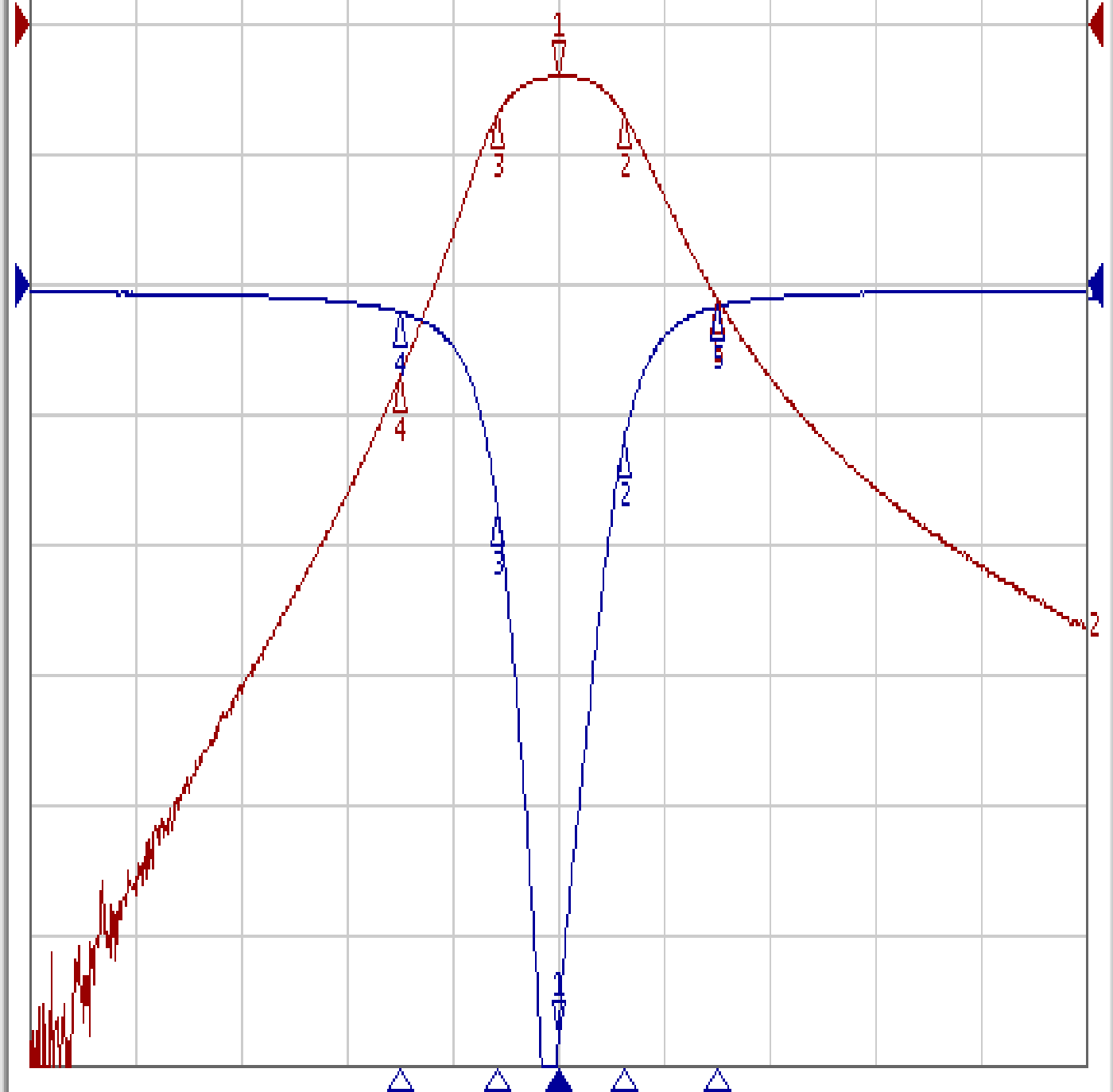
Performance-TTL63163F-523M

200907035CD

Tr1 S11 Log Mag 5.000dB/ Ref 0.000dB [F2]
Tr2 S21 Log Mag 10.000dB/ Ref 0.000dB [F2]

1	523.00000 MHz	-3.9311 dB
2	529.22800 MHz	-6.8908 dB
3	517.30100 MHz	-6.8709 dB
4	508.00000 MHz	-27.115 dB
5	538.00000 MHz	-20.986 dB

>1	523.00000 MHz	-28.911 dB
2	529.22800 MHz	-6.1164 dB
3	517.30100 MHz	-8.6484 dB
4	508.00000 MHz	-1.0278 dB
5	538.00000 MHz	-0.8147 dB



1 Center 523 MHz

IFBW 10 kHz

Span 100 MHz Cor !