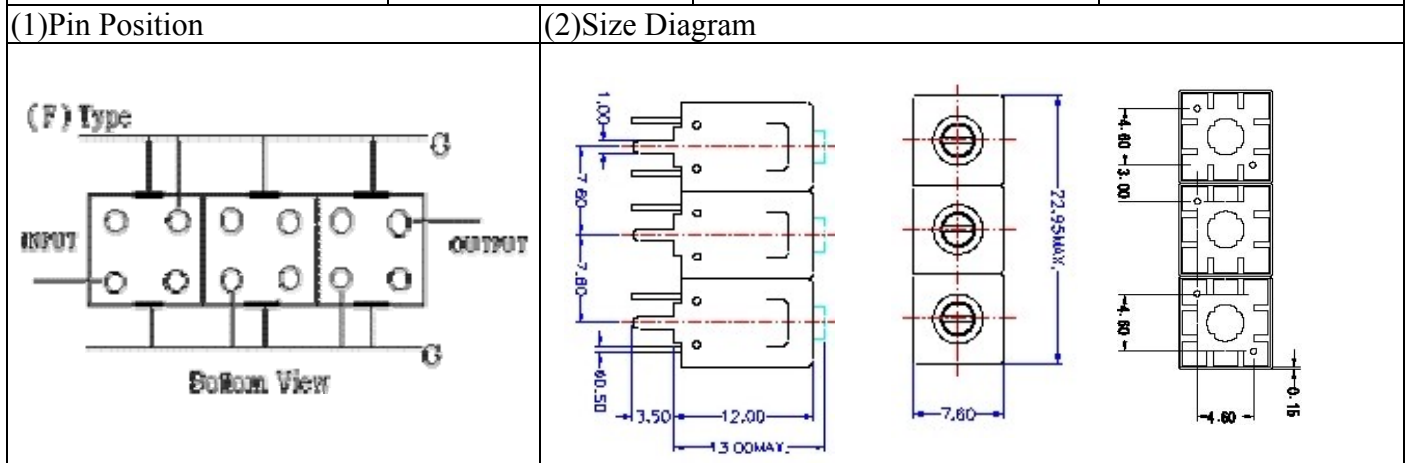


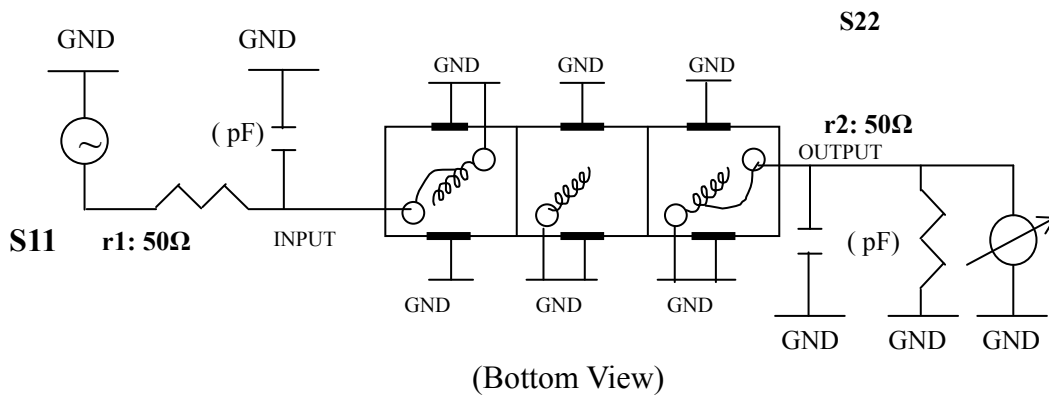
# VHF UHF Helical Filter Specification Sheet

Customer Name		Temwell's Part No.	TTL63162F-515M
Approval No. /dated	0701083APR	Acceptable Specify Fo Range.	456~515M
Work Instruction No.	0701083DC	Date	Jan.31.2007



(3) Electric Character			
Item		Specify	Performance
Center Freq.(Fo) +/- 0.5 %		515 MHz	515 MHz
Tunable Range:		515±5 MHz	515±5 MHz
Insertion Loss		Typ. 5.0 dB	3.60 dB
-3 dB Bandwidth		Typ. 8 MHz	10.1 MHz
Sensitivity (Attenuation)	Fo - 15 MHz	Typ. 25 dB	28 dB
	Fo + 15 MHz	Typ. 22 dB	25 dB
	Fo - ( )MHz	Typ. dB	dB
	Fo + ( )MHz	Typ. dB	dB
Return Loss		Min. 12 dB	34.6 dB
Ripple		< 1 dB	dB
Impedance		In / Out : 75 Ω	In / Out : 75 Ω
(4) Torque for Tuning Screw		> 60gf · cm	
(5) Temperature Condition:			
Operating Temperature		0°C ~ +60°C	
Storage Temperature		-20°C ~ +70°C	
(6) Input Power		> 1Watt	

(7) Measuring Circuit: ※Easy to match Impedance S11/S22 75Ω by parallel with about( pF) / ( pF).



Approval	Supervisor	Designer	Aperture size
C.Y.Chang	C.S.Chang	J.F.Lin	7H3(4*4.65F) 7H046LB4 聚 3

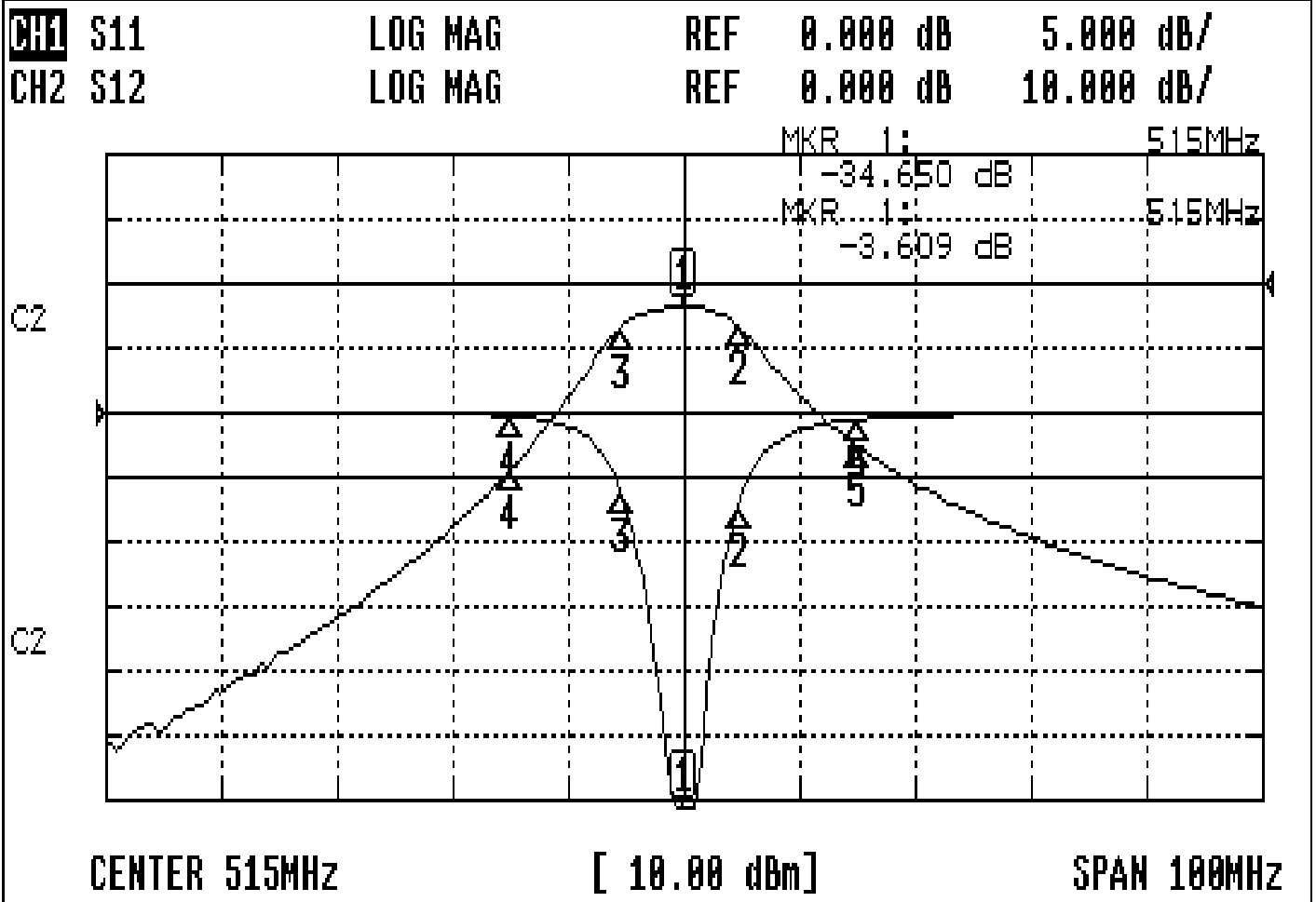
TEMWELL CORPORATION

TEMWELL

Form10-7H3F Vision D RP(J.F.Lin)

# Performance-TTL63162F-515M

## 0701083DC



CH1 MARKER LIST			
1:	515.000MHz	-34.650	dB
2:	519.750MHz	-7.127	dB
3:	509.666MHz	-6.331	dB
4:	500.000MHz	-0.255	dB
5:	530.000MHz	-0.501	dB

CH2 MARKER LIST			
1:	515.000MHz	-3.609	dB
2:	519.750MHz	-6.693	dB
3:	509.666MHz	-6.445	dB
4:	500.000MHz	-2.891	dB
5:	530.000MHz	-25.183	dB