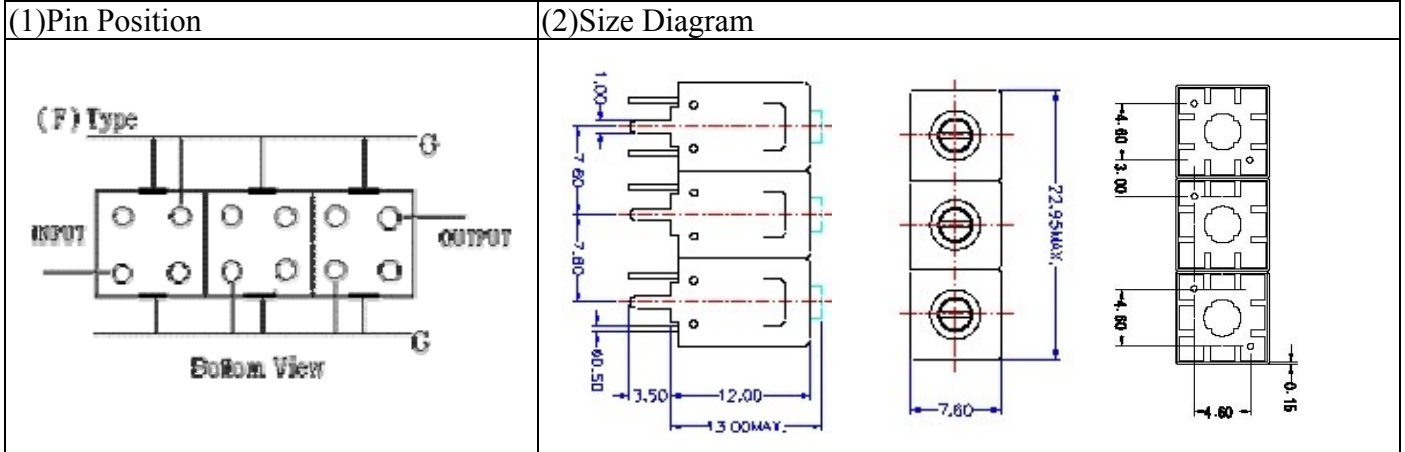


# VHF UHF Helical Filter Specification Sheet

Customer Name		Temwell's Part No.	TTL63161F-507M
Approval No. /dated	0907034CD	Temwell's print name	63161F 507M
Work Instruction No.	200907034CD	Date	Aug.27.2009



### (3) Electric Chararistic

Item	Specify	Performance	
Center Freq.(Fo) +/- 0.5 %	507 MHz	507 MHz	
Insertion Loss	Typ. 4.0 dB	3.38 dB	
-3 dB Bandwidth	Typ. 8 MHz	10.7 MHz	
Sensitivity (Attenuation)	Fo - 15 MHz	Typ. 28 dB	31 dB
	Fo + 15 MHz	Typ. 22 dB	25 dB
	Fo - ( )MHz	Typ. dBc	dBc
	Fo +( )MHz	Typ. dBc	dBc
Return Loss	Min. 12 dB	30.9 dB	
Ripple	< 1 dB	dB	
Impedance	In / Out : 75 Ω	In / Out : 75 Ω	
(4) Torque for Tuning Screw	> 100gf · cm		

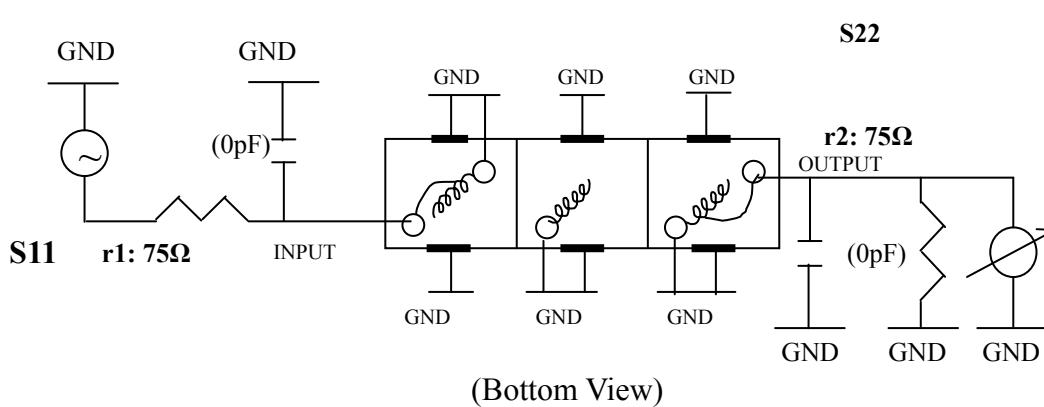
### (5) Temperature Condition:

Operating Temperature	0°C ~ +60°C
Storage Temperature	-20°C ~ +70°C

### (6) Input Power

> 1Watt

### (7) Measuring Circuit: ※Easy to match Impedance S11/S22 75 Ω by parallel with about( 0pF) / (0pF).

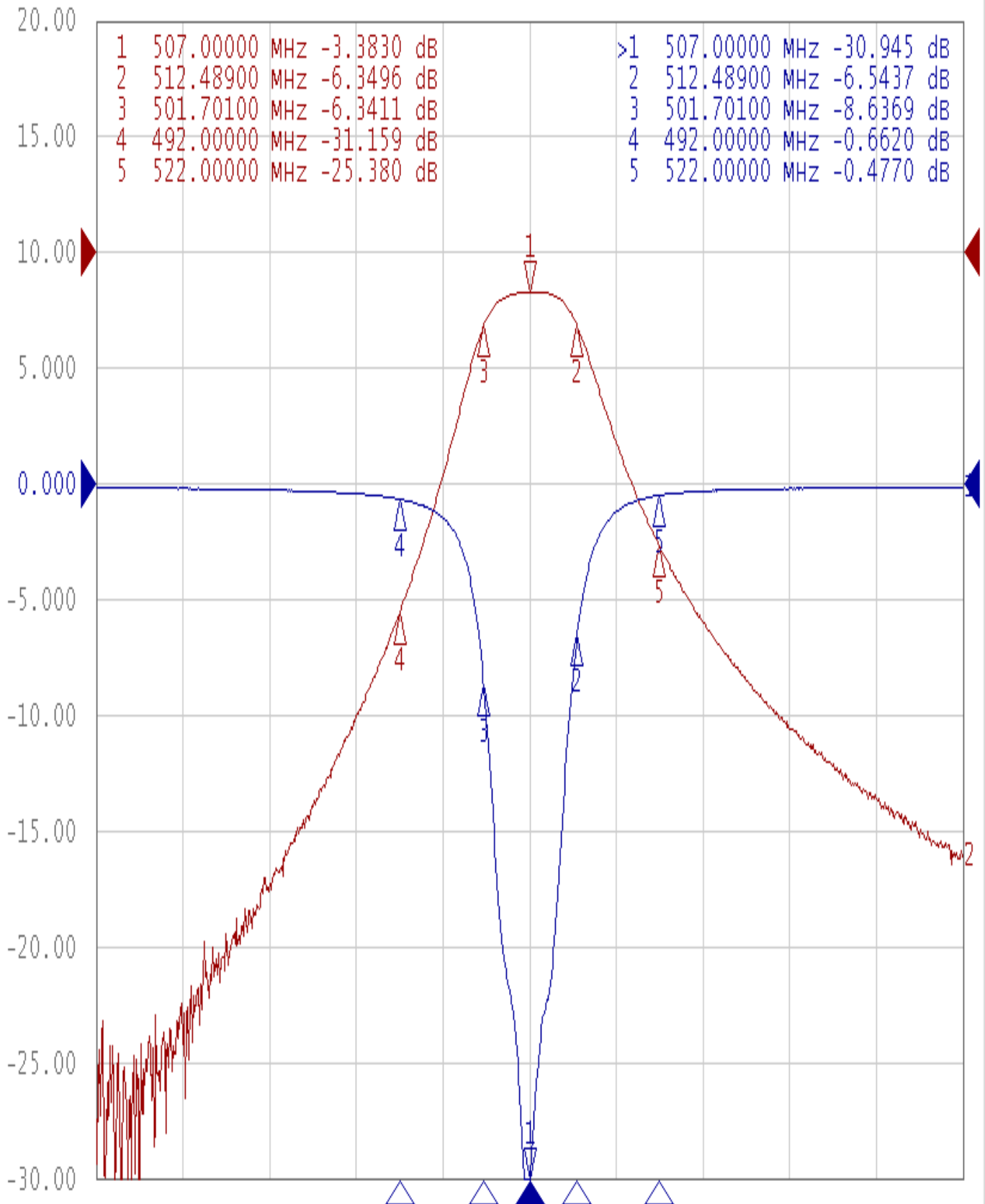


Approval	Supervisor	Designer	Aperture size
C.Y.Chang	C.K.Chang	C.S.Chang	7H3(4*4.65F)(4.72) 7H046LB4.3 聚 3
TEMWELL CORPORATION			

# Performance-TTL63161F-507M

## 200907034CD

Tr1 S11 Log Mag 5.000dB/ Ref 0.000dB [F2]  
Tr2 S21 Log Mag 10.00dB/ Ref 0.000dB [F2]



1 Center 507 MHz

IFBW 10 kHz

Span 100 MHz Cor !