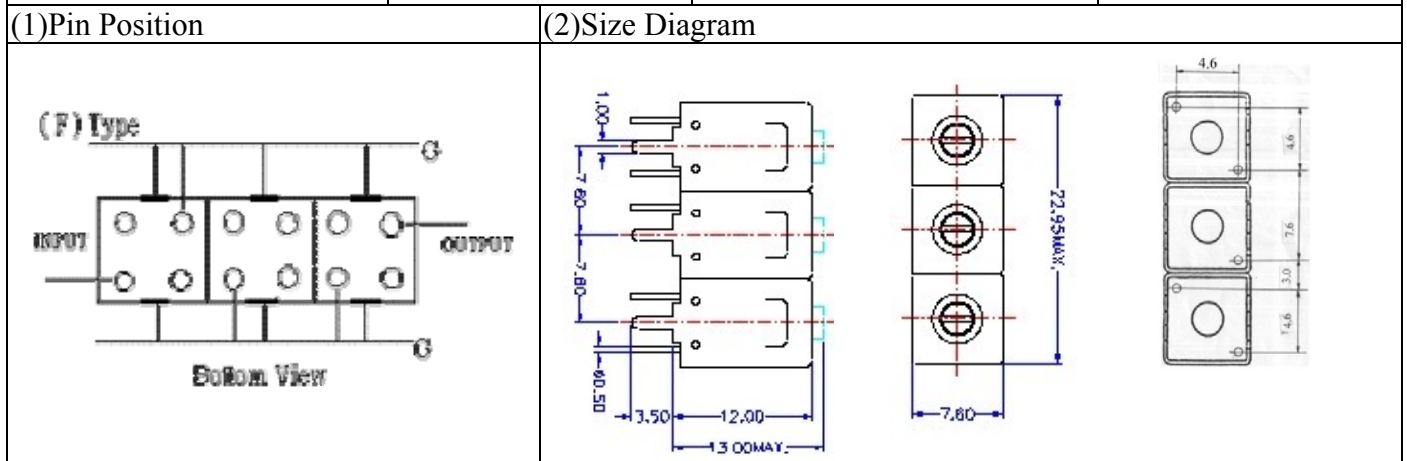


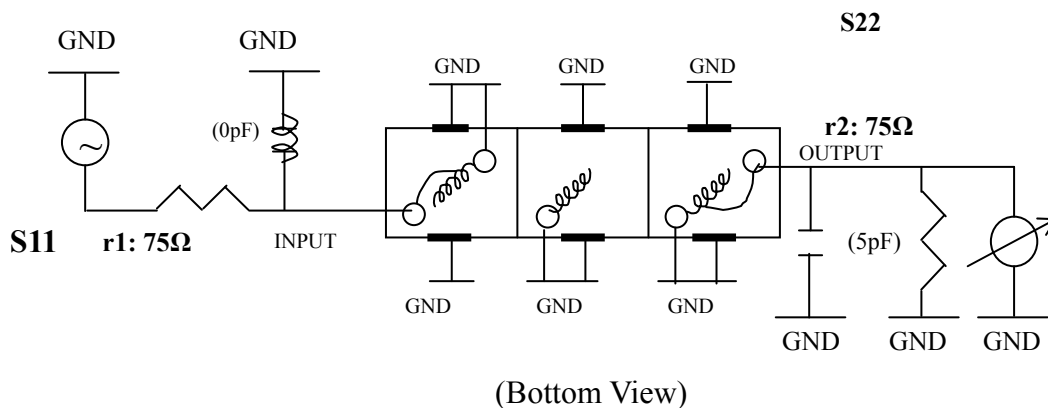
# VHF UHF Helical Filter Specification Sheet

Customer Name		Temwell's Part No.	TTL6315F-483.25M
Approval No. /dated	0611040APR	Acceptable Specify Fo Range	456~515 MHz
Work Instruction No.	0611040DC	Date	Nov.23.2006



(3) Electric Character			
Item	Specify	Performance	
Center Freq.(Fo) +/- 0.5 %	483.25 MHz	483.25 MHz	
Tunable Range	483.25±5 MHz	483.25±5 MHz	
Insertion Loss	Typ. 6 dB	4.77 dB	
-3 dB Bandwidth	Typ. 6 MHz	8.1 MHz	
Sensitivity (Attenuation)	Fo - 15 MHz	Typ. 28 dB	31 dB
	Fo + 15 MHz	Typ. 29 dB	32 dB
	Fo - ( )MHz	Typ. dB	dB
	Fo + ( )MHz	Typ. dB	dB
Return Loss	Min. 12 dB	23.9 dB	
Ripple	< 1 dB	dB	
Impedance	In / Out : 75 Ω	In / Out : 75 Ω	
(4) Torque for Tuning Screw		> 100gf · cm	
(5) Temperature Condition:			
Operating Temperature	0°C ~ +60°C		
Storage Temperature	-20°C ~ +70°C		
(6) Input Power		> 1Watt	

(7) Measuring Circuit: ※Easy to match Impedance S11/S22 75Ω by parallel with about(0pF)/(5pF).

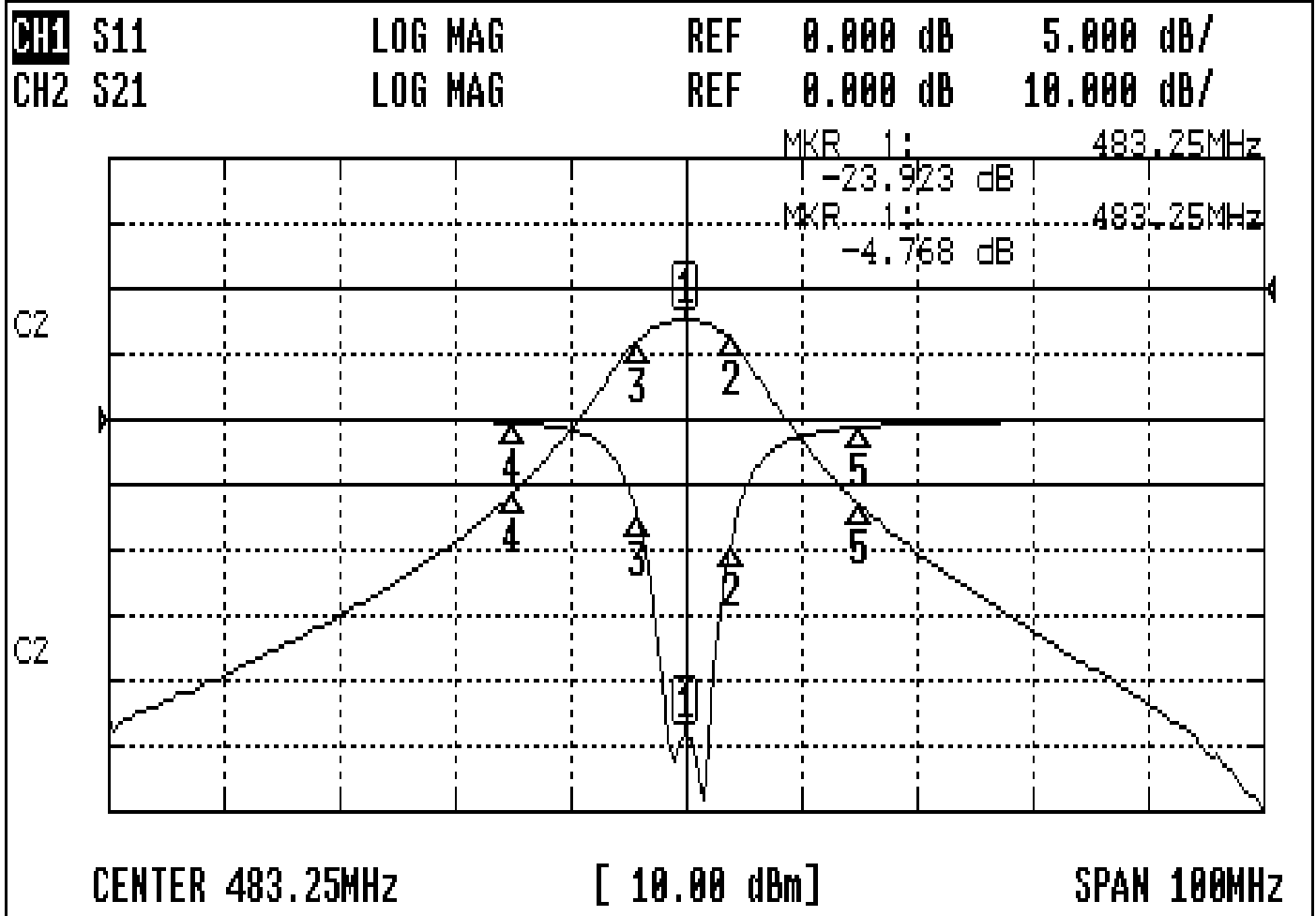


Approval	Supervisor	Designer	Aperture size
C.Y.Chang	C.S.Chang	W.W.Wang	7H3(4*4.65)F 7H046RB4

TEMWELL CORPORATION

# Performance-TTL6315F-483.25M

## 0611040DC



### CH1 MARKER LIST

1:	483.250MHz	-23.923	dB
2:	487.166MHz	-19.422	dB
3:	479.083MHz	-7.315	dB
4:	468.250MHz	-0.216	dB
5:	498.250MHz	-0.552	dB

### CH2 MARKER LIST

1:	483.250MHz	-4.771	dB
2:	487.166MHz	-7.753	dB
3:	479.083MHz	-7.890	dB
4:	468.250MHz	-31.262	dB
5:	498.250MHz	-32.905	dB