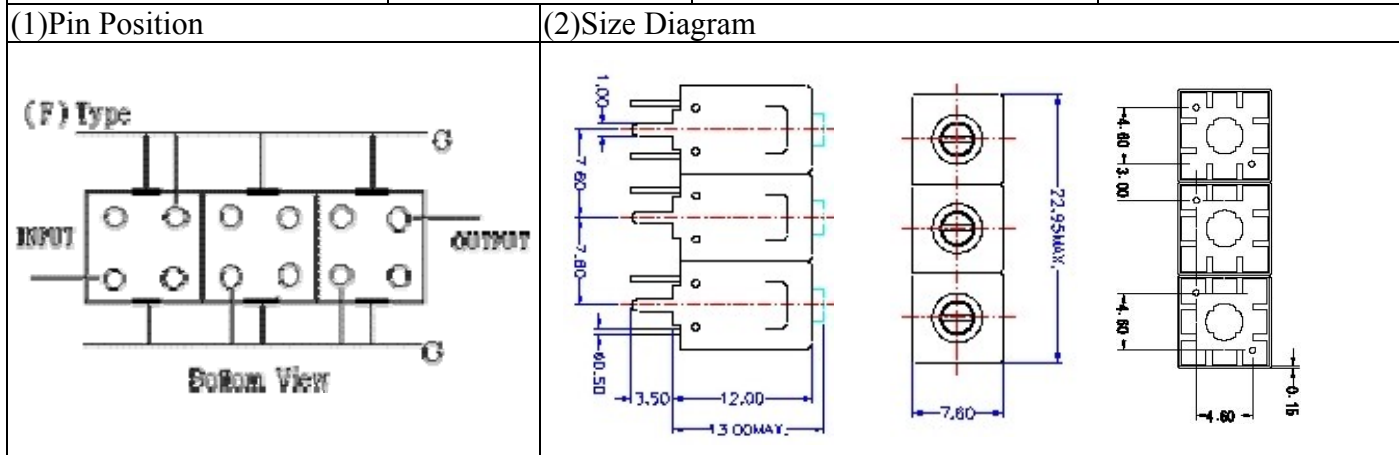


VHF UHF Helical Filter Specification Sheet

Customer Name		Temwell's Part No.	TTL63157F-475M
Approval No. /dated	0907032CD	Temwell's print name	63157F 475M
Work Instruction No.	200907032CD	Date	Jul.16.2009



(3) Electric Characteristic

Item	Specify	Performance
Center Freq.(Fo) +/- 0.5 %	475 MHz	475 MHz
Insertion Loss	Typ. 5.0 dB	4.07 dB
-3 dB Bandwidth	Typ. 8 MHz	11.0 MHz
Sensitivity (Attenuation)	Fo - 15 MHz	Typ. 29 dB
	Fo + 15 MHz	Typ. 21 dB
	Fo - ()MHz	Typ. dB
	Fo +()MHz	Typ. dB
Return Loss	Min. 12 dB	23.9 dB
Ripple	< 1 dB	dB
Impedance	In / Out : 75 Ω	In / Out : 75 Ω

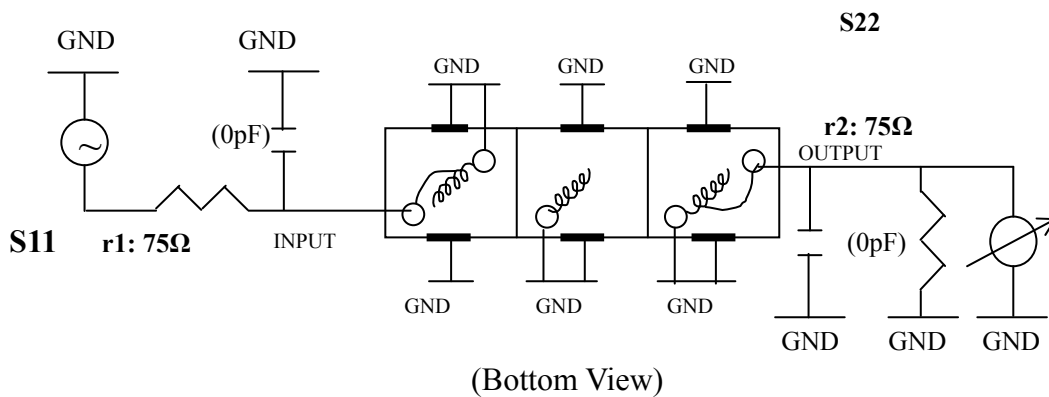
(4) Torque for Tuning Screw > 100gf · cm

(5) Temperature Condition:

Operating Temperature	0°C ~ +60°C
Storage Temperature	-20°C ~ +70°C

(6) Input Power > 1Watt

(7) Measuring Circuit: ※Easy to match Impedance S11/S22 50Ω by parallel with about(0pF) / (0pF).



Approval	Supervisor	Designer	Aperture size
C.Y.Chang	C.K.Chang	C.S.Chang	7H3(4*5.5F)(5.52) 7H046LB4.3 聚 3

TEMWELL CORPORATION

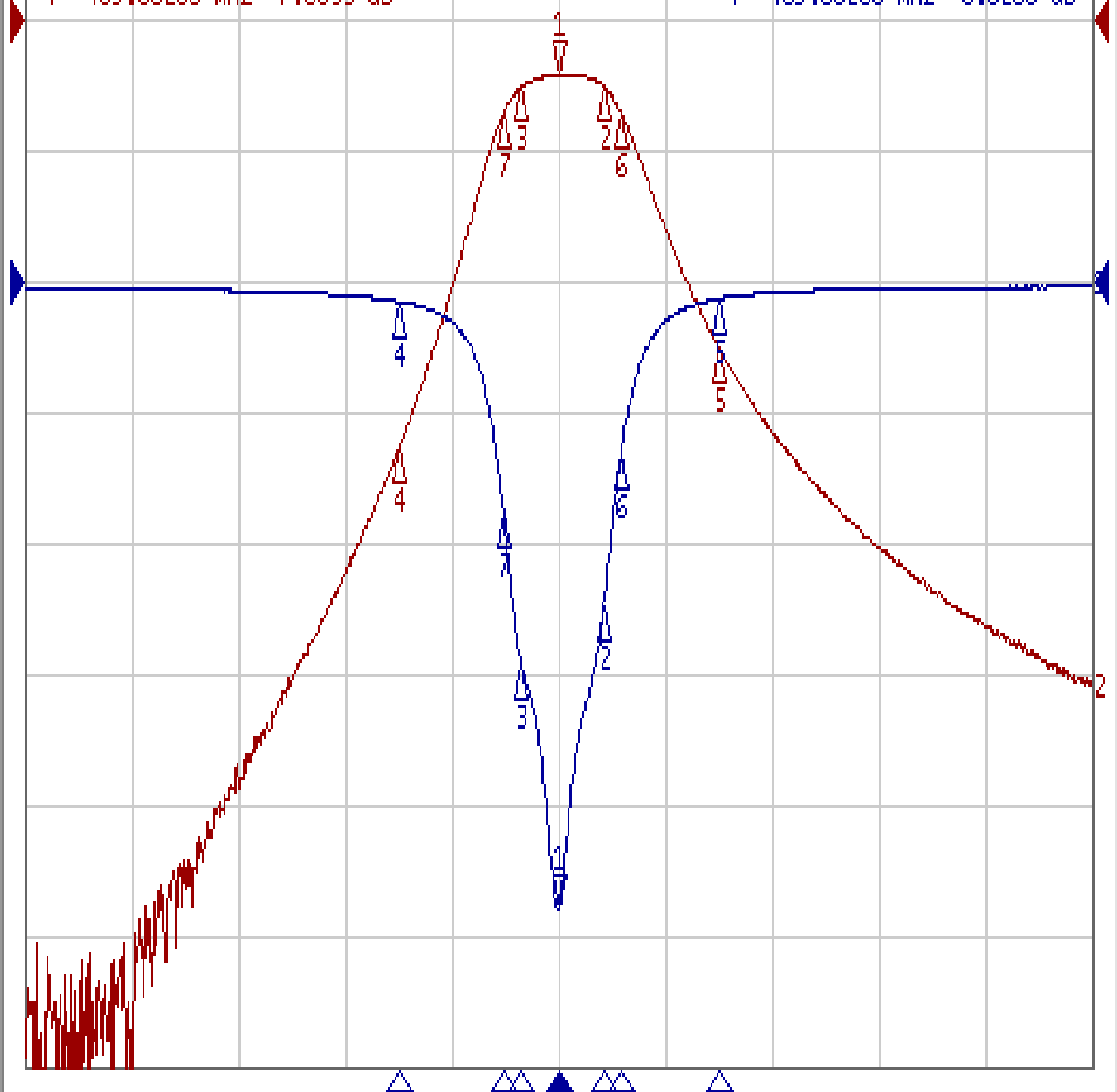
Performance-TTL63157F-475M

200907032CD

Tr1 S11 Log Mag 5.000dB/ Ref 0.000dB [F2]
Tr2 S21 Log Mag 10.00dB/ Ref 0.000dB [F2]

1	475.00000 MHz	-4.0705 dB
2	479.21302 MHz	-4.9816 dB
3	471.55725 MHz	-4.9968 dB
4	460.00000 MHz	-32.701 dB
5	490.00000 MHz	-24.958 dB
6	480.86984 MHz	-6.9883 dB
7	469.80200 MHz	-7.0053 dB

>1	475.00000 MHz	-23.941 dB
2	479.21302 MHz	-12.381 dB
3	471.55725 MHz	-14.657 dB
4	460.00000 MHz	-0.7194 dB
5	490.00000 MHz	-0.6130 dB
6	480.86984 MHz	-6.5555 dB
7	469.80200 MHz	-8.8288 dB



1 Center 475 MHz

IFBW 10 kHz

Span 100 MHz Cor !