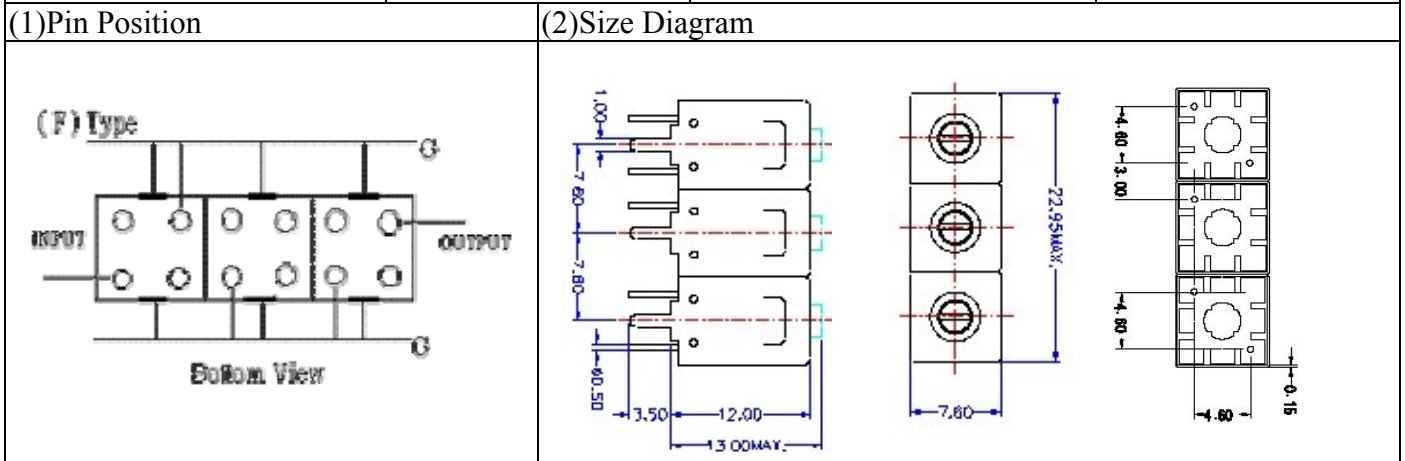


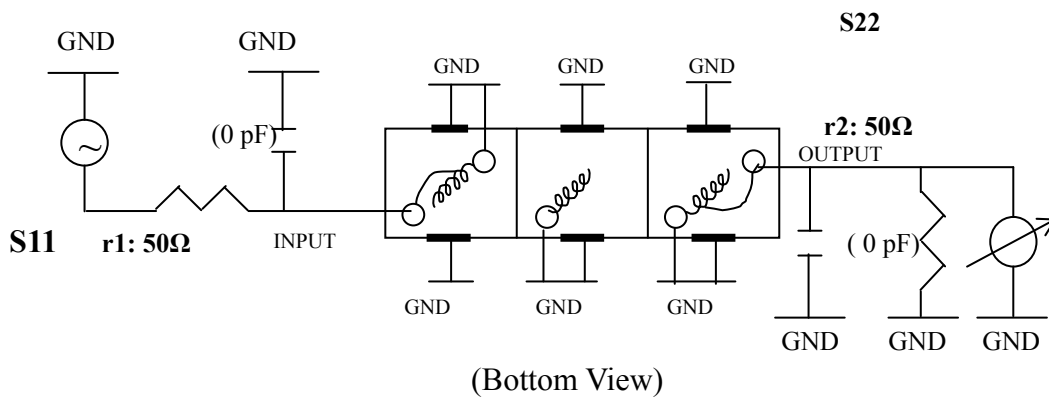
# VHF UHF Helical Filter Specification Sheet

Customer Name		Temwell's Part No.	TTL63155F-459M
Approval No. /dated	0701076APR	Acceptable Specify Fo Range.	456~515MHz
Work Instruction No.	0701076DC	Date	Feb.05.2007



Item		Specify	Performance
Center Freq.(Fo) +/- 0.5 %		459 MHz	459 MHz
Tunable Range:		459±5 MHz	459±5 MHz
Insertion Loss		Typ. 4.0 dB	3.84 dB
-3 dB Bandwidth		Typ. 8 MHz	9.4 MHz
Sensitivity (Attenuation)	Fo - 15 MHz	Typ. 30 dB	33 dB
	Fo + 15 MHz	Typ. 21 dB	24 dB
	Fo - ( )MHz	Typ. dB	dB
	Fo +( )MHz	Typ. dB	dB
Return Loss		Min. 12 dB	17.6 dB
Ripple		< 1 dB	dB
Impedance		In / Out : 75 Ω	In / Out : 75 Ω
(4) Torque for Tuning Screw		> 60gf • cm	
(5) Temperature Condition:			
Operating Temperature		0°C ~ +60°C	
Storage Temperature		20°C ~ +70°C	
(6) Input Power		> 1Watt	

(7) Measuring Circuit: ※Easy to match Impedance S11/S22 75Ω by parallel with about( 0 pF) / ( 0 pF).

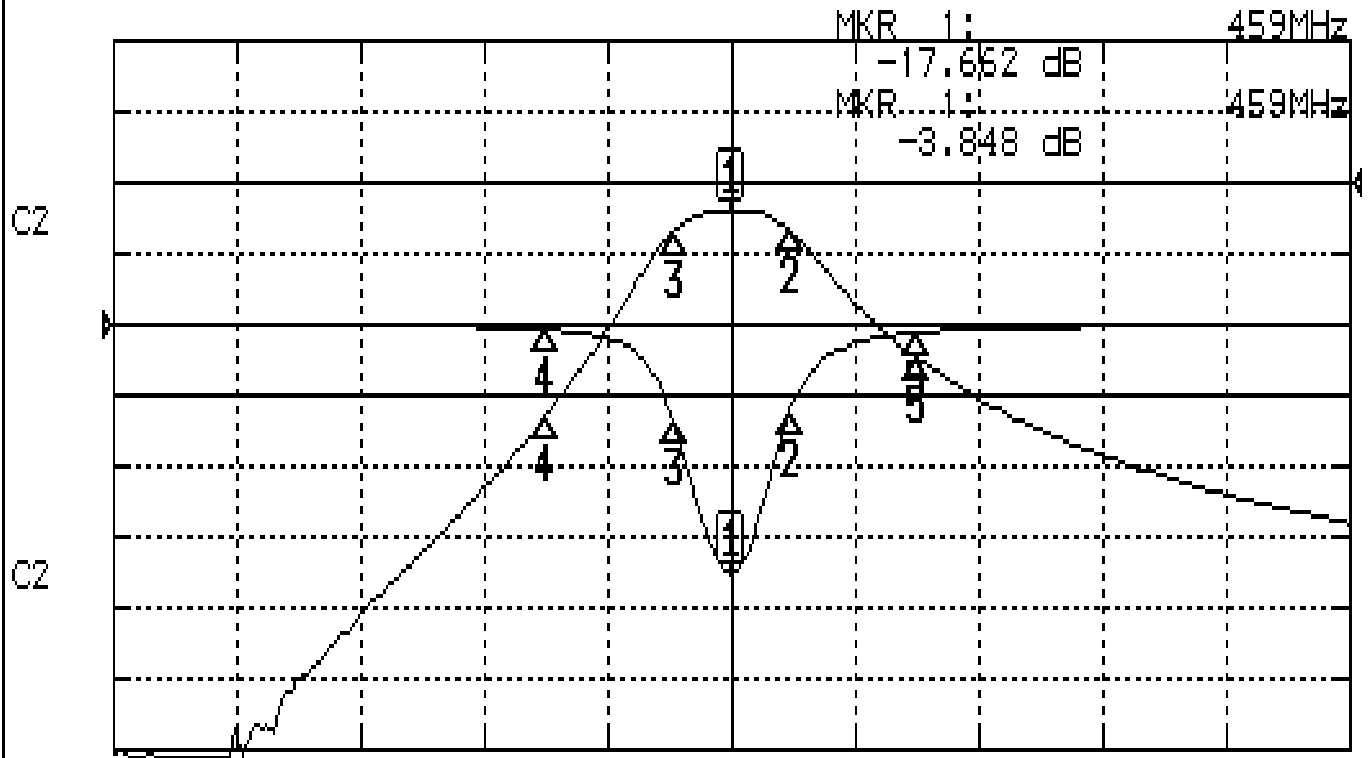


Approval	Supervisor	Designer	Aperture size
C.Y.Chang	C.S.Chang	P.H.Chiang	7H3S(4*5.5)F 7H046LB4 聚 3
TEMWELL		CORPORATION	

# Performance-TTL63155F-459M

## 0701076DC

CH1 S11 LOG MAG REF 0.000 dB 5.000 dB/  
CH2 S21 LOG MAG REF 0.000 dB 10.000 dB/



CENTER 459MHz

[ 10.00 dBm ]

SPAN 100MHz

### CH1 MARKER LIST

1:	459.000MHz	-17.686 dB
2:	463.750MHz	-6.297 dB
3:	454.333MHz	-6.812 dB
4:	444.000MHz	-0.349 dB
5:	474.000MHz	-0.551 dB

### CH2 MARKER LIST

1:	459.000MHz	-3.845 dB
2:	463.750MHz	-6.710 dB
3:	454.333MHz	-6.815 dB
4:	444.000MHz	-33.056 dB
5:	474.000MHz	-24.844 dB