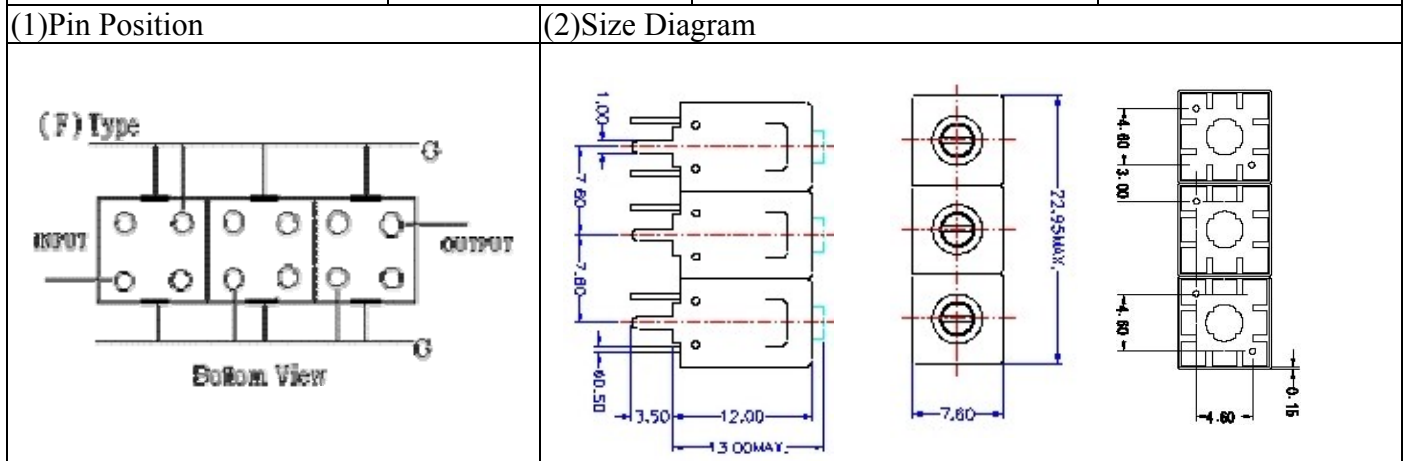


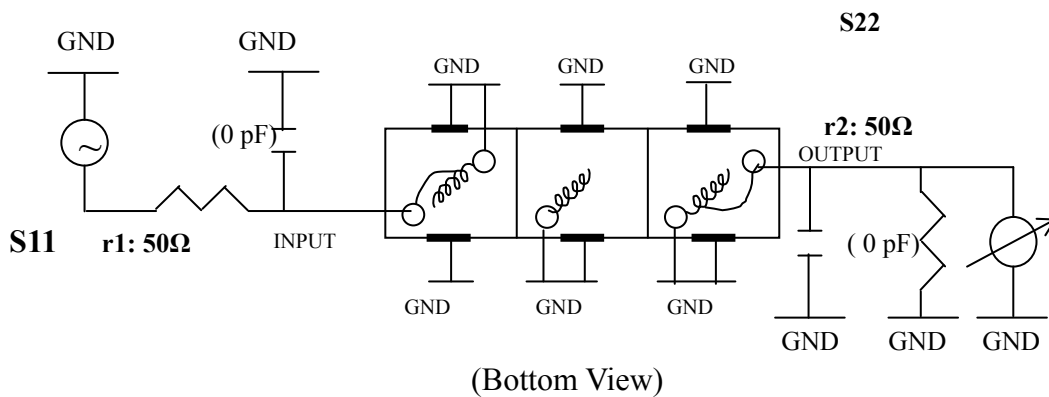
VHF UHF Helical Filter Specification Sheet

Customer Name		Temwell's Part No.	TTL63154F-451M
Approval No. /dated	0701075APR	Acceptable Specify Fo Range.	401~455MHz
Work Instruction No.	0701075DC	Date	Feb.05.2007



Item		Specify	Performance
Center Freq.(Fo) +/- 0.5 %		451 MHz	451 MHz
Tunable Range:		451±5 MHz	451±5 MHz
Insertion Loss		Typ. 4.0 dB	3.29 dB
-3 dB Bandwidth		Typ. 7 MHz	9.2 MHz
Sensitivity (Attenuation)	Fo - 15 MHz	Typ. 31 dB	34 dB
	Fo + 15 MHz	Typ. 22 dB	25 dB
	Fo - ()MHz	Typ. dB	dB
	Fo +()MHz	Typ. dB	dB
Return Loss		Min. 12 dB	19.7 dB
Ripple		< 1 dB	dB
Impedance		In / Out : 75 Ω	In / Out : 75 Ω
(4) Torque for Tuning Screw		> 100gf · cm	
(5) Temperature Condition:			
Operating Temperature		0°C ~ +60°C	
Storage Temperature		20°C ~ +70°C	
(6) Input Power		> 1Watt	

(7) Measuring Circuit: ※Easy to match Impedance S11/S22 75Ω by parallel with about(0 pF) / (0 pF).

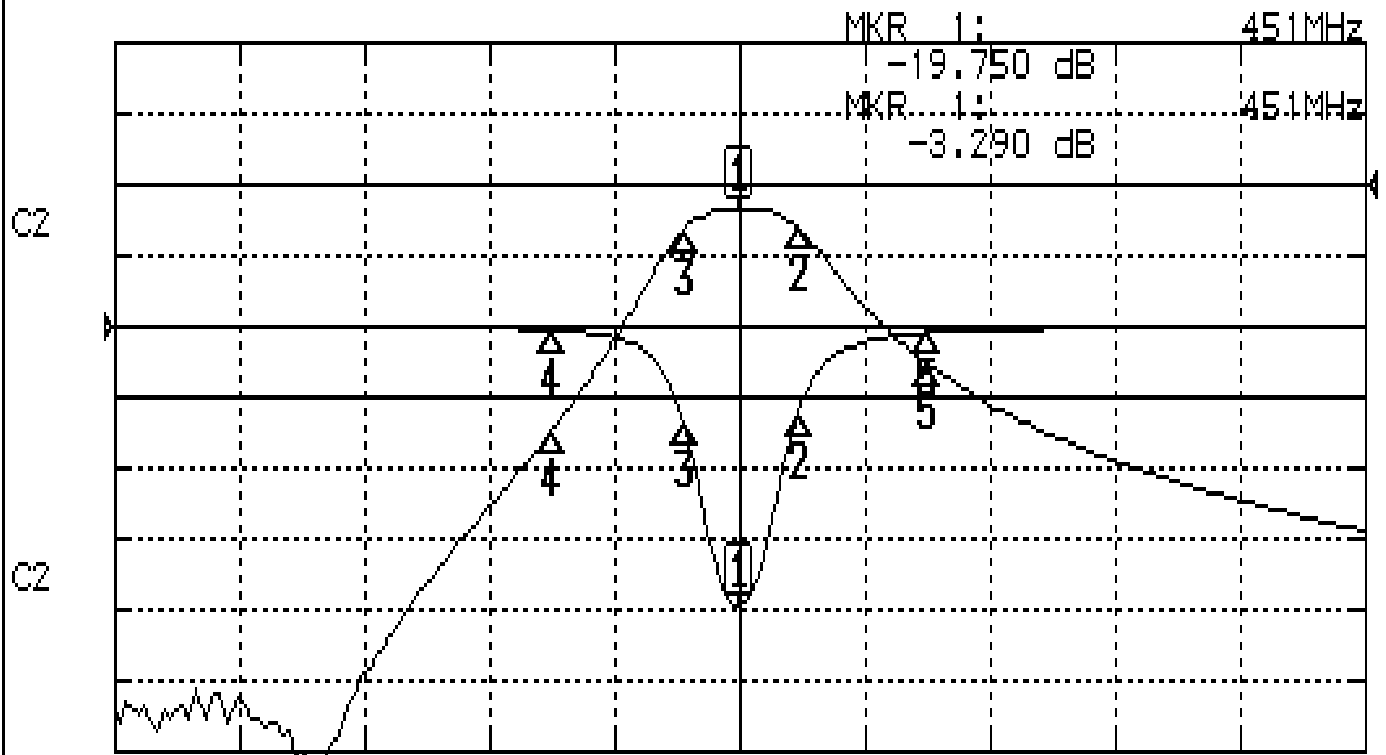


Approval	Supervisor	Designer	Aperture size
C.Y.Chang	C.S.Chang	P.H.Chiang	7H3S(4*5.5)F 7H046LB4 聚 3
TEMWELL CORPORATION			

Performance-TTL63154F-451M

0701075DC

CH1 S11 LOG MAG REF 0.000 dB 5.000 dB/
CH2 S21 LOG MAG REF 0.000 dB 10.000 dB/



CENTER 451MHz

[10.00 dBm]

SPAN 100MHz

CH1 MARKER LIST

1:	451.000MHz	-19.753 dB
2:	455.750MHz	-6.037 dB
3:	446.583MHz	-7.017 dB
4:	436.000MHz	-0.253 dB
5:	466.000MHz	-0.417 dB

CH2 MARKER LIST

1:	451.000MHz	-3.290 dB
2:	455.750MHz	-6.166 dB
3:	446.583MHz	-6.269 dB
4:	436.000MHz	-34.704 dB
5:	466.000MHz	-25.216 dB