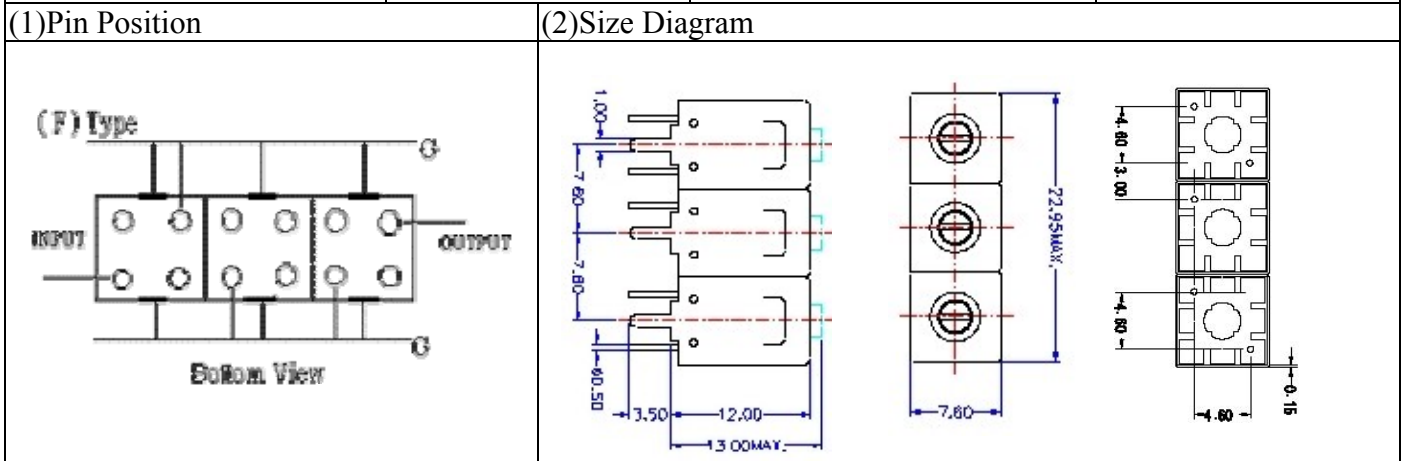


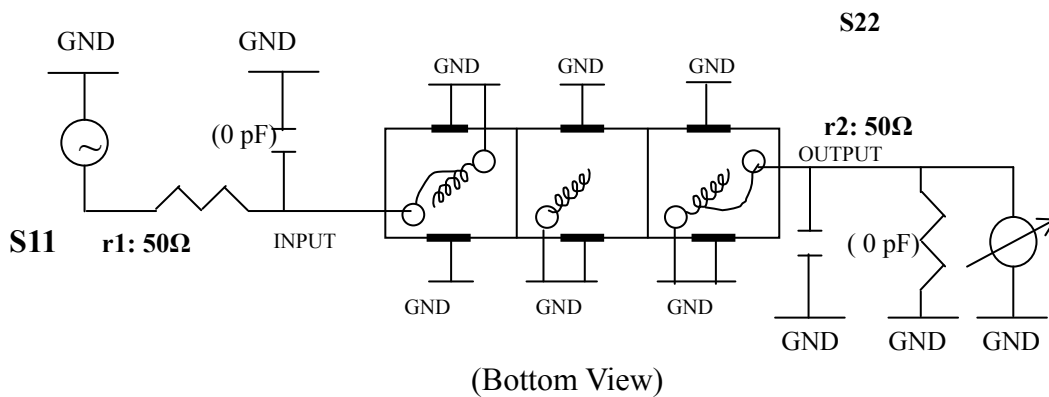
VHF UHF Helical Filter Specification Sheet

Customer Name		Temwell's Part No.	TTL63153F-443M
Approval No. /dated	0701074APR	Acceptable Specify Fo Range.	401~455MHz
Work Instruction No.	0701074DC	Date	Feb.05.2007



(3) Electric Chararistic		Item	Specify	Performance
Center Freq.(Fo) +/- 0.5 %			443 MHz	443 MHz
Tunable Range:			443±5 MHz	443±5 MHz
Insertion Loss		Typ.	4.0 dB	3.20 dB
-3 dB Bandwidth		Typ.	8 MHz	10.5 MHz
Sensitivity (Attenuation)	Fo - 15 MHz	Typ.	30 dB	33 dB
	Fo + 15 MHz	Typ.	21 dB	24 dB
	Fo - ()MHz	Typ.	dB	dB
	Fo +()MHz	Typ.	dB	dB
Return Loss		Min.	12 dB	24.7 dB
Ripple			< 1 dB	dB
Impedance			In / Out : 75 Ω	In / Out : 75 Ω
(4) Torque for Tuning Screw			> 100gf · cm	
(5) Temperature Condition:				
Operating Temperature			0°C ~ +60°C	
Storage Temperature			20°C ~ +70°C	
(6) Input Power			> 1Watt	

(7) Measuring Circuit: ※Easy to match Impedance S11/S22 75Ω by parallel with about(0 pF) / (0 pF).

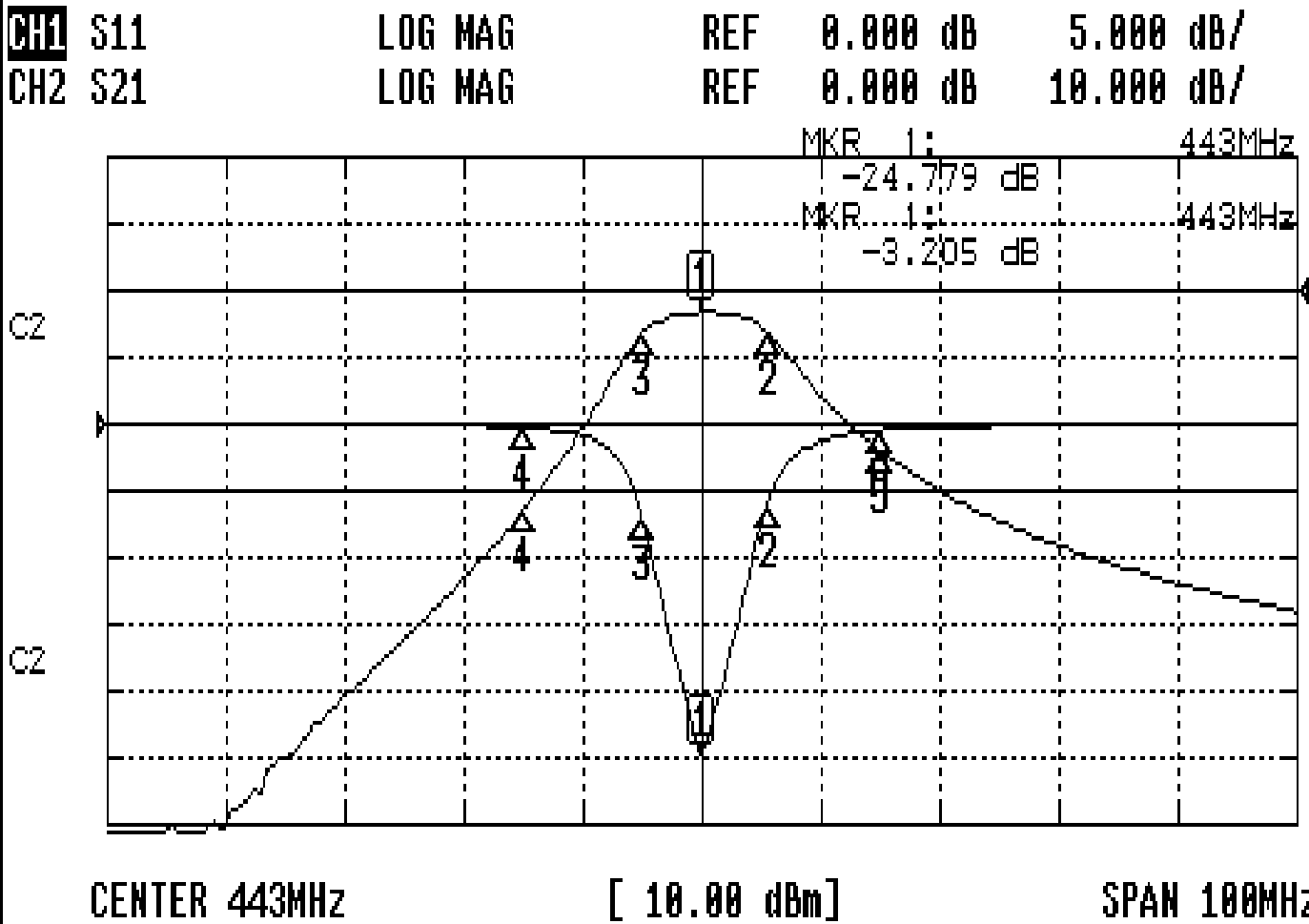


Approval	Supervisor	Designer	Aperture size
C.Y.Chang	C.S.Chang	P.H.Chiang	7H3S(4*5.5)F 7H046LB4 聚 3

TEMWELL CORPORATION

Performance-TTL63153F-443M

0701074DC



CH1 MARKER LIST

1:	443.000MHz	-24.779	dB
2:	448.500MHz	-6.057	dB
3:	438.083MHz	-7.048	dB
4:	428.000MHz	-0.259	dB
5:	458.000MHz	-0.447	dB

10:

CH2 MARKER LIST

1:	443.000MHz	-3.205	dB
2:	448.500MHz	-6.201	dB
3:	438.083MHz	-16.237	dB
4:	428.000MHz	-33.090	dB
5:	458.000MHz	-24.021	dB

10: