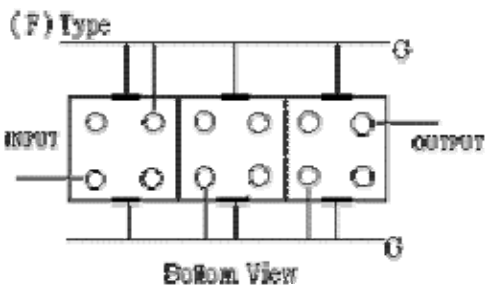


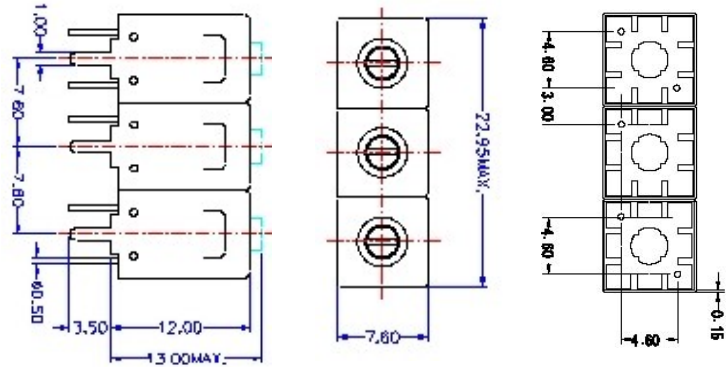
VHF UHF Helical Filter Specification Sheet

Customer Name		Temwell's Part No.	TTL63150F-419M
Approval No. /dated	0701071APR	Acceptable Specify Fo Range.	401~455MHz
Work Instruction No.	0701071DC	Date	Jan.31.2007

(1) Pin Position



(2) Size Diagram



(3) Electric Characteristic

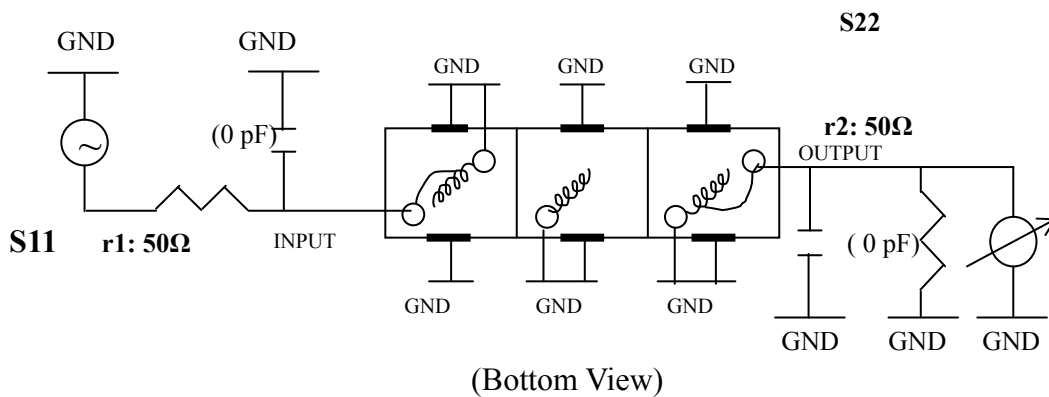
Item	Specify	Performance	
Center Freq.(Fo) +/- 0.5 %	419 MHz	419 MHz	
Tunable Range:	419±5 MHz	419±5 MHz	
Insertion Loss	Typ. 4.0 dB	3.17 dB	
-3 dB Bandwidth	Typ. 7 MHz	9.3 MHz	
Sensitivity (Attenuation)	Fo - 15 MHz	Typ. 29 dB	32 dB
	Fo + 15 MHz	Typ. 21 dB	24 dB
	Fo - ()MHz	Typ. dB	dB
	Fo +()MHz	Typ. dB	dB
Return Loss	Min. 12 dB	17.5 dB	
Ripple	< 1 dB	dB	
Impedance	In / Out : 75 Ω	In / Out : 75 Ω	
(4) Torque for Tuning Screw	> 100gf • cm		

(5) Temperature Condition:

Operating Temperature	0°C ~ +60°C
Storage Temperature	20°C ~ +70°C

(6) Input Power

(7) Measuring Circuit: ※Easy to match Impedance S11/S22 75Ω by parallel with about(0 pF) / (0 pF).



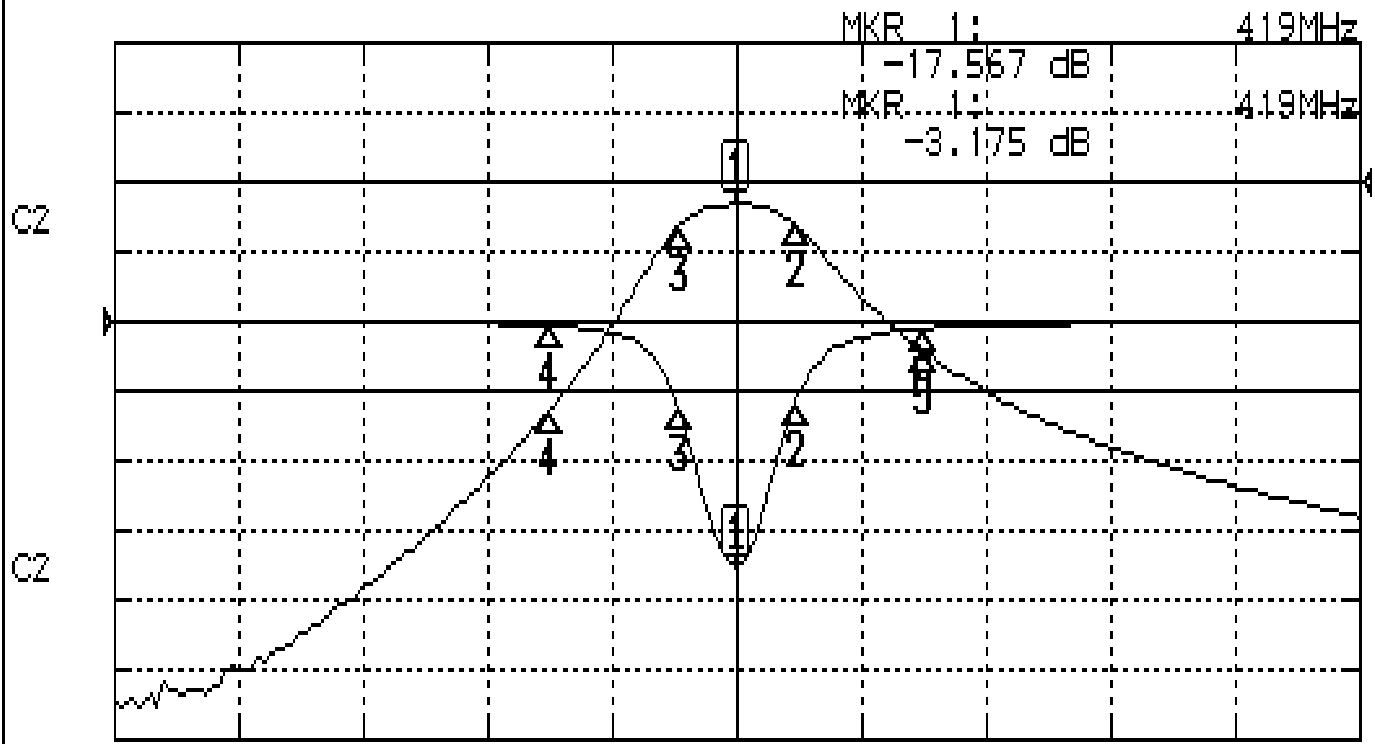
Approval	Supervisor	Designer	Aperture size
C.Y.Chang	C.S.Chang	P.H.Chiang	7H3S(4*5.5)F 7H046LB4 聚 3

TEMWELL CORPORATION

Performance-TTL63150F-419M

0701071DC

CH1 S11 LOG MAG REF 0.000 dB 5.000 dB/
CH2 S21 LOG MAG REF 0.000 dB 10.000 dB/



CENTER 419MHz

[10.00 dBm]

SPAN 100MHz

CH1 MARKER LIST

1:	419.000MHz	-17.567	dB
2:	423.750MHz	-5.791	dB
3:	414.416MHz	-6.381	dB
4:	404.000MHz	-0.297	dB
5:	434.000MHz	-0.488	dB
6:			
7:			
8:			
9:			
10:			

CH2 MARKER LIST

1:	419.000MHz	-3.175	dB
2:	423.750MHz	-6.156	dB
3:	414.416MHz	-6.107	dB
4:	404.000MHz	-32.732	dB
5:	434.000MHz	-24.292	dB
6:			
7:			
8:			
9:			
10:			